

USB Type-C Adapter



Features

- 100-240VAC Universal Input
- USB Power Delivery Function
- LED Indicator
- Protections:
 - Short circuit / Over voltage / Over current
 - Over temperature (optional)
- Energy Efficiency Level VI
- No Load Power Consumption $\leq 0.1W$
- MTBF > 100,000 hours

EA1045 X Y - PP

X: Output range

Y: AC inlet: 1. C14 2. C8 3. C6 6. C18

PP: DC plug Code 92 for USB Type-C

MODEL No.	MAX. OUTPUT POWER (W)	OUTPUT VOLTAGE (Vo)	MIN. LOAD (Io)	MAX. LOAD (Io)	LOAD REGULATION	LINE REGULATION	RIPPLE & NOISE
EA1045AY	30W	5V	0A	3.0A	$\pm 5\%$	$\pm 1\%$	100mV
		9V	0A	3.0A	$\pm 5\%$	$\pm 1\%$	180mV
		15V	0A	2.0A	$\pm 5\%$	$\pm 1\%$	300mV
		20V	0A	1.5A	$\pm 5\%$	$\pm 1\%$	360mV
EA1045BY	36W	5V	0A	3.0A	$\pm 5\%$	$\pm 1\%$	100mV
		9V	0A	3.0A	$\pm 5\%$	$\pm 1\%$	180mV
		15V	0A	2.4A	$\pm 5\%$	$\pm 1\%$	300mV
		20V	0A	1.8A	$\pm 5\%$	$\pm 1\%$	360mV
EA1045CY	45W	5V	0A	3.0A	$\pm 5\%$	$\pm 1\%$	100mV
		9V	0A	3.0A	$\pm 5\%$	$\pm 1\%$	180mV
		15V	0A	3.0A	$\pm 5\%$	$\pm 1\%$	300mV
		20V	0A	2.25A	$\pm 5\%$	$\pm 1\%$	360mV
EA1045DY	30W	5V	0A	3.0A	$\pm 5\%$	$\pm 1\%$	100mV
		9V	0A	3.0A	$\pm 5\%$	$\pm 1\%$	180mV
		12V	0A	2.5A	$\pm 5\%$	$\pm 1\%$	200mV
		15V	0A	2.0A	$\pm 5\%$	$\pm 1\%$	300mV
EA1045EY	36W	5V	0A	3.0A	$\pm 5\%$	$\pm 1\%$	100mV
		9V	0A	3.0A	$\pm 5\%$	$\pm 1\%$	180mV
		12V	0A	3.0A	$\pm 5\%$	$\pm 1\%$	200mV
		15V	0A	2.4A	$\pm 5\%$	$\pm 1\%$	300mV
EA1045FY	45W	5V	0A	3.0A	$\pm 5\%$	$\pm 1\%$	100mV
		9V	0A	3.0A	$\pm 5\%$	$\pm 1\%$	180mV
		12V	0A	3.0A	$\pm 5\%$	$\pm 1\%$	200mV
		15V	0A	3.0A	$\pm 5\%$	$\pm 1\%$	300mV
		20V	0A	2.25A	$\pm 5\%$	$\pm 1\%$	360mV

NOTE:

1 : Ripple & Noise is measured by using 20MHz bandwidth limited oscilloscope and terminated each output with a 0.1uF ceramic capacitor & parallel with 47uF aluminum capacitor at full load and nominal line.

2 : Line regulation is defined by changing $\pm 10\%$ of input voltage from nominal line at rated load.

3 : Max. Power (W) $\geq V_o \times I_o$

Electrical Specification

INPUT

- Input Range: 100 to 240 VAC
- Frequency: 50 to 60Hz
- Input Current: $\leq 1.5A$
- Inrush Current: 50A/100VAC 100A/230VAC
- Hold Up Time: $\geq 8.3ms$
- Turn On Time: $\leq 3s$

OUTPUT

- Short Circuit Protection: Auto Recovery
- Over Voltage Protection: Auto Recovery
- Over Current Protection: Auto Recovery
- Over Temperature Protection: Auto Recovery or Latch-off (optional)

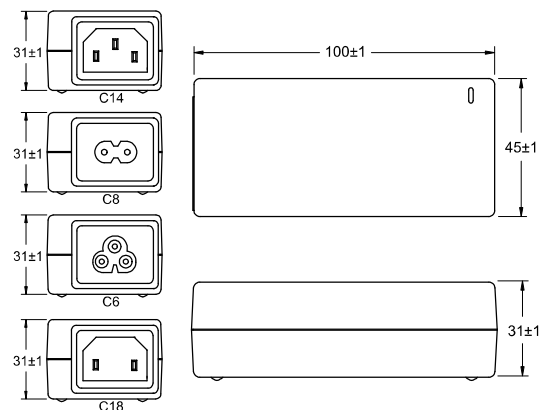
ENVIRONMENT

- Operating Temperature: 0 to 40°C
- Storage Temperature: -20 to 85°C
- Operating Humidity: 10% to 90%
- Storage Humidity: 5% to 95%

SAFETY

- Complied with UL/cUL 62368-1, TUV EN 62368-1, CB IEC 62368-1, FCC, CE
- Certified for assigned models: CCC, PSE

Mechanical Specification



- Case Size: 100L x 45W x 31H (mm)
- AC Inlet: C14, C8, C6, C18
- Weight: 200g