



### Features

- Active PFC Function
- DoE Compliance
- RoHS Compliance
- IEC320 C8, C6
- Over Voltage Protective Installation
- Over Current Protective Installation
- Short Circuit Protective Installation
- LED Indication
- MTBF: >100,000 hours

### EA1091 x Y - w PP

**x:** Case type: 2. C8 3. C6

**Y:** Output range

**w:** Specified output voltage. ie 24 is 24Vdc

**PP:** Connector type. ie 01 for EDACPOWER standard dc cable or please refer to the appendix page

### Electrical Specifications

MODEL No.	MAX. OUTPUT POWER (W)	OUTPUT VOLTAGE (Vo)	MIN. LOAD (Io)	MAX. LOAD (Io)	LOAD REGULATION	LINE REGULATION	RIPPLE & NOISE
EA1091xA	80W	12~17V	0A	6.66A	± 5%	± 1%	270mV
EA1091xB	80W	18~24V	0A	4.44A	± 5%	± 1%	350mV
EA1091xC	80W	25~32V	0A	3.20A	± 5%	± 1%	450mV
EA1091xD	80W	33~43V	0A	2.42A	± 5%	± 1%	650mV
EA1091xE	80W	44~56V	0A	1.81A	± 5%	± 1%	750mV
EA1091xF	90W	12~17V	0A	7.50A	± 5%	± 1%	270mV
EA1091xG	90W	18~24V	0A	5.00A	± 5%	± 1%	350mV
EA1091xH	90W	25~32V	0A	3.60A	± 5%	± 1%	450mV
EA1091xJ	90W	33~43V	0A	2.72A	± 5%	± 1%	650mV
EA1091xK	90W	44~56V	0A	2.04A	± 5%	± 1%	750mV
EA1091xM	100W	25~32V	0A	3.33A	±5%	± 1%	450mV
EA1091xN	100W	33~43V	0A	3.03A	±5%	± 1%	650mV
EA1091xQ	100W	44~56V	0A	2.27A	±5%	± 1%	750mV

#### NOTE:

1 : Ripple & noise is measured by using 20MHz bandwidth limited oscilloscope and terminated each output with a 0.1uf ceramic capacitor & parallel with 47uF aluminum capacitor at full load and nominal line.

2 : Line regulation is defined by changing ±10% of input voltage from nominal line at rated load.

3 : Max. Output Power (W) ≥Vo x Io

### Electrical Specifications

#### INPUT

- Input Range 100 to 240 Vac
- Frequency 50 to 60Hz
- Input Current ≤2.0A
- Inrush Current ≤100A at 230 Vac At cold start, maximum load
- Efficiency Meet CEC Level VI (DoE), CoC Tier 2
- Hold Up Time ≥8.3mS
- Turn On Time ≤3S

#### OUTPUT

- Over Voltage Protection Auto Recovery or Latch off
- Short Circuit Protection Auto Recovery
- Over Current Protection Auto Recovery
- Over Temperature Protection Optional

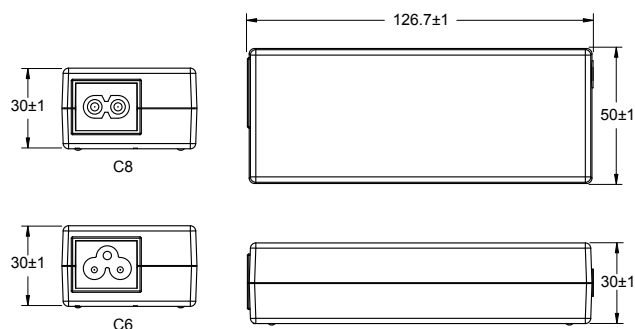
#### ENVIRONMENTAL

- Operating Temperature 0 to 40°C
- Storage Temperature -20 to 85°C
- Storage Humidity 5% to 90 %

#### SAFETY

- UL/cUL, TUV, CB, CE, FCC, CCC

### Mechanical Specification



- Case Size: 126.7L x 50W x 30H (mm)
- AC Inlet: C8, C6
- Weight: 370g