

EA1015 Series

AC/DC Single Output Interchangeable Plug
• 10~15Watts Max.



Features

- CEC Compliance
- RoHS Compliance
- Interchangeable AC Plug
- Over Voltage Protective Installation
- Short Circuit Protective Installation
- Protection Type: Auto-Recovery
- MTBF: >30,000 hours

EA1015 x R - vv PP

- x:** Output range
R: Interchangeable AC plug:
 • U: USA • E: EU • K: UK • A: SAA
vv: Specified output voltage, ie 24 is 24Vdc
PP: Connector type, ie 01 for EDACPOWER standard dc cable or please refer to the appendix page

Electrical Specifications

MODEL No.	MAX. OUTPUT POWER (W)	OUTPUT VOLTAGE (Vo)	MIN. LOAD (Io)	MAX. LOAD (Io)	LOAD REGULATION	LINE REGULATION	RIPPLE & NOISE
EA1015-AR	10W	3~5V	0A	2.5A	± 5%	± 1%	100mV
EA1015-BR	12W	6~9V	0A	2.0A	± 5%	± 1%	150mV
EA1015-CR	15W	10~15V	0A	1.5A	± 5%	± 1%	200mV
EA1015-DR	15W	16~24V	0A	0.9A	± 5%	± 1%	300mV

NOTE:

- 1 : Ripple & noise is measured by using 20MHz bandwidth limited oscilloscope and terminated each output with a 0.1uF ceramic capacitor & parallel with 47uF aluminum capacitor at full load and nominal line.
- 2 : Line regulation is defined by changing ±10% of input voltage from nominal line at rated load.
- 3 : Max. Output Power (W) ≥Vo x Io

Electrical Specifications

INPUT

- Input Range 100 to 240 VAC
- Frequency 50 to 60Hz
- Input Current ≤0.5A
- Inrush Current ≤60A At cold start
- Efficiency EA1015-AR: 68% Min.
EA1015-BR: 75% Min.
EA1015-CR: 75% Min.
EA1015-DR: 75% Min.
- Hold Up Time ≥8.3mS
- Turn On Time ≤3S

OUTPUT

- Over Voltage Protection Auto Recovery
- Short Circuit Protection Auto Recovery

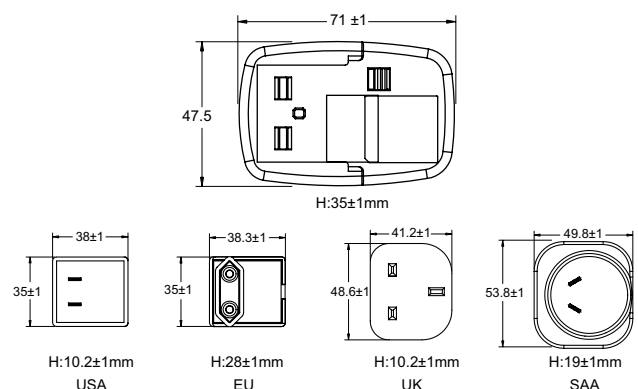
ENVIRONMENTAL

- Operating Temperature 0 to 40°C
- Storage Temperature -20 to 85°C
- Storage Humidity 5% to 95%

SAFETY

- UL/cUL, TUV, CB, CE, FCC, CCC

Mechanical Specification



- Case Size: 71L x 47.5W x 35H (mm)
- AC Plug: U: USA, E: EU, K: UK, A: SAA
- Weight: 140g