

# EA1135 Series

## AC/DC Single Output Desk Top Type

• 120~150Watts Max.



### Features

- Active PFC
- CEC Compliance
- RoHS Compliance
- IEC320 C14, C6
- Over Voltage Protective Installation
- Over Current Protective Installation
- Protection Type: Auto-Recovery
- MTBF: >30,000 hours
- 100% Burn In
- 100% Hi-Pot Test

### EA1135 x Y - vw PP

**x:** Case type: 1. C14 3. C6

**Y:** Output range

**vw:** Specified output voltage, ie 24 is 24Vdc

**PP:** Connector type, ie 01 for EDACPOWER standard dc cable or please refer to the appendix page

### Electrical Specifications

MODEL No.	MAX. OUTPUT POWER (W)	OUTPUT VOLTAGE (Vo)	MIN. LOAD (Io)	MAX. LOAD (Io)	LOAD REGULATION	LINE REGULATION	RIPPLE & NOISE
EA1135xA	120W	12~17V	0A	10A	± 5%	± 1%	240mV
EA1135xB	130W	18~24V	0A	7.22A	± 5%	± 1%	480mV
EA1135xC	120W	15~24V	0A	6.66A	± 5%	± 1%	480mV
EA1135xD	150W	15~24V	0A	8.33A	± 5%	± 1%	480mV

#### NOTE:

1 : Ripple & noise is measured by using 20MHz bandwidth limited oscilloscope and terminated each output with a 0.1uF ceramic capacitor & parallel with 47uF aluminum capacitor at full load and nominal line.

2 : Line regulation is defined by changing ±10% of input voltage from nominal line at rated load.

3 : Max. Output Power (W) ≥ Vo x Io

### Electrical Specifications

#### INPUT

- Input Range 100 to 240 VAC
- Frequency 50 to 60Hz
- Input Current ≤2.5A
- Inrush Current ≤120A At cold start
- Efficiency Meet CEC Level IV, V
- Hold Up Time ≥8.3mS
- Turn On Time ≤3S

#### OUTPUT

- Over Voltage Protection Auto Recovery
- Short Circuit Protection Auto Recovery

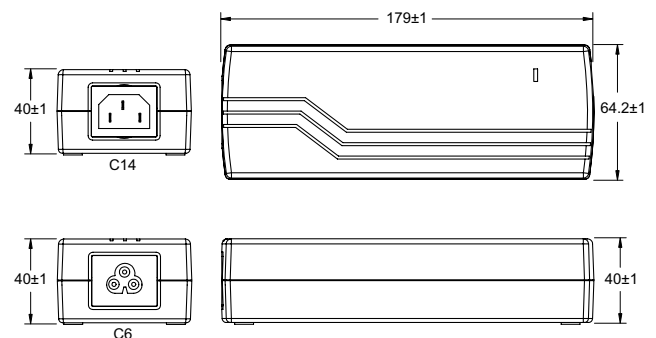
#### ENVIRONMENTAL

- Operating Temperature 0 to 40°C
- Storage Temperature -20 to 85°C
- Storage Humidity 5% to 95%

#### SAFETY

- UL/cUL, TUV, CB, CE, FCC, CCC

### Mechanical Specification



- Case Size: 179L x 64.2W x 40H (mm)
- AC Inlet: C14, C6
- Weight: 705g