



Features

- DoE VI Compliance
- RoHS Compliance
- Over Voltage Protective Installation
- Over Current Protective Installation
- Over Temperature Protective Installation
- Short Circuit Protective Installation
- LED Indication
- MTBF > 100,000 hours

EA1151 x Y - vv PP

- x: Case type: 3, C6
- Y: Output range

Electrical Specifications

MODEL No.	MAX. OUTPUT POWER (W)	OUTPUT VOLTAGE (Vo)	MIN.	MAX.	LOAD REGULATION	LINE REGULATION	RIPPLE & NOISE
			LOAD (Io)	LOAD (Io)			
EA11513A	120	12V~16V	0A	10.0A	5% Max.	1% Max.	240mV
EA11513B	130	12V~16V	0A	10.83A	5% Max.	1% Max.	240mV
EA11513C	120	19V~24V	0A	6.31A	5% Max.	1% Max.	300mV
EA11513D	130	19V~24V	0A	6.84A	5% Max.	1% Max.	300mV
EA11513E	140	19V~24V	0A	7.36A	5% Max.	1% Max.	300mV
EA11513F	150	19V~24V	0A	7.89A	5% Max.	1% Max.	300mV

NOTE:

- 1 : Ripple & noise is measured by using 20MHz bandwidth limited oscilloscope and terminated each output with a 0.1uF ceramic capacitor & parallel with 47uF aluminum capacitor at full load and nominal line.
- 2 : Line regulation is defined by changing $\pm 10\%$ of input voltage from nominal line at rated load.
- 3 : Max. Output Power (W) $\geq V_o \times I_o$

Electrical Specifications

INPUT

- Input Range 100Vac to 240 VAC
- Frequency 50 to 60Hz
- Input Current $\leq 2.5A$
- Inrush Current $\leq 160A$ at 230 Vac At cold start, maximum load
- Turn On Time $\leq 3S$

OUTPUT

- Over Current Protection Auto Recovery
- Short Circuit Protection Auto Recovery
- Over Voltage Protection Latch Mode
- Over Temperature Protection Latch Mode
- Efficiency AVG 88% Typ.
- No Load power $\leq 0.21W$

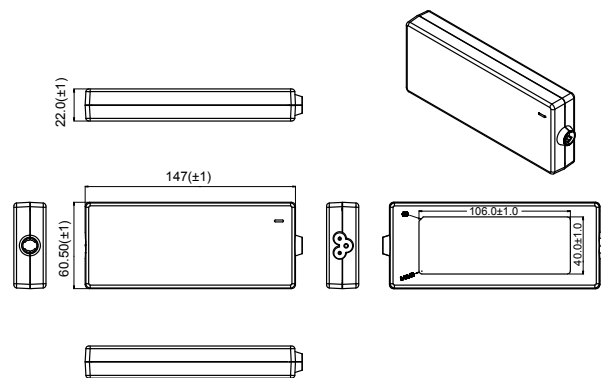
ENVIRONMENTAL

- Operating Temperature 0 to 40°C
- Storage Temperature -20 to 85°C
- Storage Humidity 5% to 90 %

SAFETY

- UL/cUL, TUV, CB, CE, FCC, CCC

Mechanical Specification



- Case Size: 147L x 60.5W x 22H (mm)
- DC Input: UL1185*16AWG (Ground overstriking) 1200mm
- Weight: 460g