



Features

- Economy Type
- CEC Compliance
- RoHS Compliance
- IEC320 C14, C6
- Over Voltage Protective Installation
- Over Current Protective Installation
- Protection Type: Latch-off
- MTBF: >30,000 hours
- 100% Burn In
- 100% Hi-Pot Test

EA1210 x Y - vv PP

x: Case type: 1. C14 3. C6

Y: Output power range

vv: Specified output voltage, ie 24 is 24Vdc

PP: Connector type, ie 01 for EDACPOWER standard dc cable or please refer to the appendix page

Electrical Specifications

MODEL No.	MAX. OUTPUT POWER (W)	OUTPUT VOLTAGE (Vo)	MIN. LOAD (Io)	MAX. LOAD (Io)	LOAD REGULATION	LINE REGULATION	RIPPLE & NOISE
EA1210xA-120	180W	12V	0A	15A	± 5%	± 1%	240mV
EA1210xB-120	150W	12V	0A	12.5A	± 5%	± 1%	240mV
EA1210xC-180	190W	18V	0A	10.52A	± 5%	± 1%	360mV
EA1210xD-180	180W	18V	0A	10.0A	± 5%	± 1%	360mV
EA1210xE-190	200W	19V	0A	10.52A	± 5%	± 1%	380mV
EA1210xF-190	180W	19V	0A	9.47A	± 5%	± 1%	380mV
EA1210xG-200	200W	20V	0A	10.0A	± 5%	± 1%	400mV
EA1210xH-200	180W	20V	0A	9.0A	± 5%	± 1%	400mV
EA1210xM-240	200W	24V	0A	8.33A	± 5%	± 1%	480mV
EA1210xN-240	180W	24V	0A	7.5A	± 5%	± 1%	480mV

NOTE:

1 : Ripple & noise is measured by using 20MHz bandwidth limited oscilloscope and terminated each output with a 0.1uF ceramic capacitor & parallel with 47uF aluminum capacitor at full load and nominal line.

2 : Line regulation is defined by changing ±10% of input voltage from nominal line at rated load.

3 : Max. Output Power (W) ≥Vo x Io

Electrical Specifications

INPUT

- Input Range 100 to 240 VAC
- Frequency 50 to 60Hz
- Input Current ≤4A
- Inrush Current ≤120A At cold start
- Efficiency Meet CEC Level IV, V
- Hold Up Time ≥10mS
- Turn On Time ≤3S

OUTPUT

- Over Voltage Protection Latch off

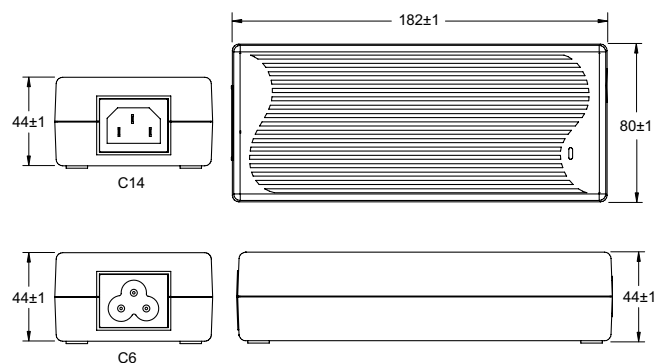
ENVIRONMENTAL

- Operating Temperature 0 to 40°C
- Storage Temperature -20 to 85°C
- Storage Humidity 5% to 95%

SAFETY

- UL/cUL, TUV, CB, CE, FCC, CCC

Mechanical Specification



- Case Size: 182L x 80W x 44H (mm)
- AC Inlet: C14, C6
- Weight: 1000g