

# EA2240 Series

AC/DC Single Output Slim Type  
 . 220~240Watts Max.



## Features

- Active PFC Function
- High Efficiency
- DoE VI Compliance
- RoHS Compliance
- Over Voltage Protective Installation
- Over Current Protective Installation
- Short Circuit Protective Installation
- 100% Burn-In
- 100% Hi-Pot Tested
- MTBF > 50,000 hours

## EA V WWW XX Y Z

- V:** The number of output group  
**www:** Total Power  
**XX:** Main Power voltage  
**Y:** Secondary voltage coding  
**Z:** Serial number

## Electrical Specifications

Number of output group	MODEL No.	OUTPUT POWER (W)	OUTPUT NO.	OUTPUT VOLTAGE (VDC)	OUTPUT LOAD (A)	LOAD REGULATION	RIPPLE & NOISE
Single output	EA1240XA	220W	Main Power	12~16V	13.75~18.33A	± 3% Max.	2% Max.
	EA1240XB	240W		18~20V	11.48~12.0A		
	EA1240XC			22~24V	10.0~10.9A		
Dual output	EA2240XA	220W	Main Power	12~16V	13.09~17.46A		
			USB Power	5V	0~2.1A		
	EA2240XB	240W	Main Power	18~20V	10.9~11.48A		
			USB Power	5V	0~2.1A		
	EA2240XC	240W	Main Power	22~24V	9.56~10.43A		
			USB Power	5V	0~2.1A		

### NOTE:

- 1 : Ripple & noise is measured by using 20MHz bandwidth limited oscilloscope and terminated each output with a 0.1uF ceramic capacitor & parallel with 47uF aluminum capacitor at full load and nominal line.
- 2 : Line regulation is defined by changing ±10% of input voltage from nominal line at rated load.
- 3 : Max. Output Power (W) ≥Vo x Io

## Electrical Specifications

### INPUT

- Input Range 100Vac to 240 Vdc
- Frequency 50 to 60Hz
- Input Current ≤3.0A
- Inrush Current ≤150A at 230 Vac At cold start, maximum load
- Turn On Time ≤3S

### OUTPUT

- Over Voltage Protection Latch-off Mode
- Short Circuit Protection Latch-off Mode
- Over Current Protection Latch-off Mode
- Over Temperature Protection Latch-off Mode
- Efficiency AVG 88% Typ.
- No Load power saving ≤0.21W(USB Power No Plug in)

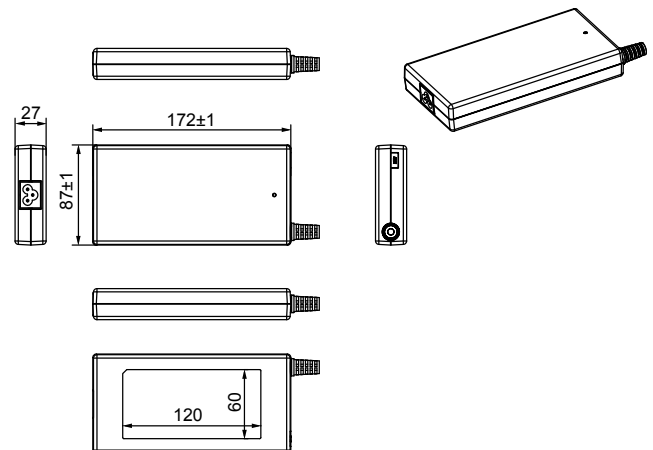
### ENVIRONMENTAL

- Operating Temperature 0 to 40°C
- Storage Temperature -20 to 85°C
- Storage Humidity 5% to 90 %

### SAFETY

- Meet UL/CUL, TUV, CB

## Mechanical Specification



- Case Size: 172L x 87W x 27H (mm)
- DC Input: UL1866\*12/14AWG (Ground overstriking)1200mm
- Weight: 450g