



**Features**

- CEC Compliance
- RoHS Compliance
- IEC320 C14, C8
- Over Voltage Protective Installation
- Short Circuit Protective Installation
- Protection Type: Auto-Recovery
- MTBF: >30,000 hours

**EM1060 x Y - vv PP**

- x:** Case type: 1. C14 2. C8
- Y:** Output range
- vv:** Specified output voltage, ie 24 is 24Vdc
- PP:** Connector type, ie 01 for EDACPOWER standard dc cable or please refer to the appendix page

**Electrical Specifications**

| MODEL No. | MAX. OUTPUT POWER (W) | OUTPUT VOLTAGE (Vo) | MIN. LOAD (Io) | MAX. LOAD (Io) | LOAD REGULATION | LINE REGULATION | RIPPLE& NOISE |
|-----------|-----------------------|---------------------|----------------|----------------|-----------------|-----------------|---------------|
| EM1060xA  | 55W                   | 13~17V              | 0A             | 4.2A           | ± 5%            | ± 1%            | 255mV         |
| EM1060xB  | 55W                   | 18~24V              | 0A             | 3A             | ± 5%            | ± 1%            | 360mV         |
| EM1060xC  | 50W                   | 12~17V              | 0A             | 4.2A           | ± 5%            | ± 1%            | 255mV         |
| EM1060xD  | 50W                   | 18~24V              | 0A             | 2.8A           | ± 5%            | ± 1%            | 360mV         |
| EM1060xE  | 42W                   | 12~17V              | 0A             | 3.5A           | ± 5%            | ± 1%            | 255mV         |
| EM1060xF  | 42W                   | 18~24V              | 0A             | 2.3A           | ± 5%            | ± 1%            | 360mV         |

**NOTE:**

- 1 : Ripple & noise is measured by using 20MHz bandwidth limited oscilloscope and terminated each output with a 0.1uF ceramic capacitor & parallel with 47uF aluminum capacitor at full load and nominal line.
- 2 : Line regulation is defined by changing ±10% of input voltage from nominal line at rated load.
- 3 : Max. Output Power (W) ≥Vo x Io

**Electrical Specifications**

**INPUT**

- Input Range 100 to 240 VAC
- Frequency 50 to 60Hz
- Input Current ≤1.5A
- Inrush Current ≤80A At cold start
- Efficiency 85% Typ.
- Hold Up Time ≥8.3mS
- Turn On Time ≤3S

**OUTPUT**

- Over Voltage Protection Auto Recovery
- Short Circuit Protection Auto Recovery

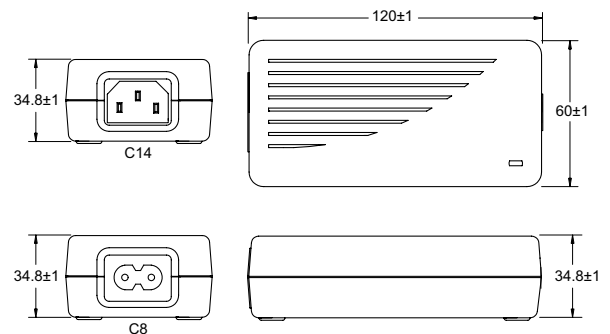
**ENVIRONMENTAL**

- Operating Temperature 0 to 40°C
- Storage Temperature -20 to 85°C
- Storage Humidity 5% to 95%

**SAFETY**

- UL/CUL UL60601, TUV/RH EN/IEC 60601, CB, CE, FCC

**Mechanical Specification**



- Case Size: 120L x 60W x 34.8H (mm)
- AC Inlet: C14, C8
- Weight: 280g