

DC/DC Switching Converter



Features

- 11-16VDC Input
- Input voltage protection
- LED Indicator
- Protections:
Short circuit / Over voltage / Over current
Over temperature
- MTBF > 50,000 hours

ED1086 - **vw** **PP**

- vw:** Specified output voltage, i.e. 24 is 24VDC
PP: DC plug type, i.e. Code 01 for 5.5x2.1mm
 or other options (refer to the appendix page)

| MODEL No. | MAX. OUTPUT POWER (W) | INPUT VOLTAGE (V _{dc}) | OUTPUT VOLTAGE (V _o) | LOAD | | LOAD REGULATION | LINE REGULATION | RIPPLE & NOISE |
|-----------|-----------------------|----------------------------------|----------------------------------|------------------------|------------------------|-----------------|-----------------|----------------|
| | | | | MIN. (I _o) | MAX. (I _o) | | | |
| ED1086 | 85W | 11~16V | 18~24V | 0A | 4.72A | ± 5% | ± 1% | 300mV |

NOTE:

- 1 : Ripple & Noise is measured by using 20MHz bandwidth limited oscilloscope and terminated each output with a 0.1uF ceramic capacitor & parallel with 47uF aluminum capacitor at full load and nominal line.
- 2 : Line regulation is defined by changing ±10% of input voltage from nominal line at rated load.
- 3 : Max. Power (W) ≥ V_o × I_o

Electrical Specification

INPUT

- Input Range: 11 to 16 VDC
- Input Current: 10A Max.
- Efficiency: 88,5% Min. Nominal input
- Turn On Time: ≤3s

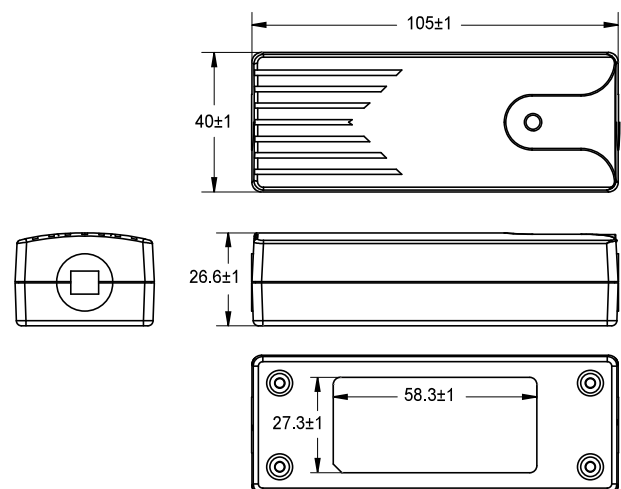
OUTPUT

- Short Circuit Protection: Auto Recovery
- Over Voltage Protection: Auto Recovery
- Over Current Protection: Auto Recovery
- Over Temperature Protection: Auto Recovery

ENVIRONMENT

- Operating Temperature: 0 to 40°C
- Storage Temperature: -20 to 85°C
- Operating Humidity: 10% to 90%
- Storage Humidity: 5% to 95%

Mechanical Specification



- Case Size: 105L x 40W x 26.6H (mm)
- DC Input : 600mm cable + cigarette plug
- Weight: 220g

SAFETY

- Complied with FCC, CE