

# EA1041 Series

• 25~48W Max.

## AC/DC Desktop Adapter

### Features



- 100-240VAC Universal Input
- LED Indicator (optional)
- LPS Compliance
- Protections :
  - Short circuit / Over voltage / Over current
  - Over temperature (optional)
- Energy Efficiency Level VI or CoC Tier II
- No Load Power Consumption  $\leq 0.1W$  (VI),  $\leq 0.075W$  (Tier II)
- MTBF > 100,000 hours

### EA1041 X Y - vv PP

- X:** AC inlet: 1. C14 2. C8 3. C6 6. C18  
**Y:** Output range  
**vv:** Specified output voltage, i.e. 12 is 12VDC  
**PP:** DC plug type, i.e. Code 01 for 5.5x2.1mm or other options (refer to the appendix page)

MODEL No.	MAX. OUTPUT POWER (W)	OUTPUT VOLTAGE (Vo)	MIN. LOAD(Io)		LOAD REGULATION	LINE REGULATION	RIPPLE & NOISE
EA1041xA	25W	5~9V	0A	5.00A	$\pm 5\%$	$\pm 1\%$	180mV
EA1041xB	36W	9V	0A	4.00A	$\pm 5\%$	$\pm 1\%$	180mV
EA1041xC	35W	12~16V	0A	2.91A	$\pm 5\%$	$\pm 1\%$	240mV
EA1041xD	40W	12~16V	0A	3.33A	$\pm 5\%$	$\pm 1\%$	240mV
EA1041xE	45W	12~16V	0A	3.75A	$\pm 5\%$	$\pm 1\%$	240mV
EA1041xF	35W	18~24V	0A	1.94A	$\pm 5\%$	$\pm 1\%$	360mV
EA1041xG	40W	18~24V	0A	2.22A	$\pm 5\%$	$\pm 1\%$	360mV
EA1041xH	45W	18~24V	0A	2.50A	$\pm 5\%$	$\pm 1\%$	360mV
EA1041xJ	40W	32~42V	0A	1.25A	$\pm 5\%$	$\pm 1\%$	480mV
EA1041xK	48W	32~42V	0A	1.50A	$\pm 5\%$	$\pm 1\%$	480mV
EA1041xM	40W	44~56V	0A	0.90A	$\pm 5\%$	$\pm 1\%$	660mV
EA1041xN	48W	44~56V	0A	1.09A	$\pm 5\%$	$\pm 1\%$	660mV

#### NOTE:

- 1 : Ripple & Noise is measured by using 20MHz bandwidth limited oscilloscope and terminated each output with a 0.1uF ceramic capacitor & parallel with 47uF aluminum capacitor at full load and nominal line.
- 2 : Line regulation is defined by changing  $\pm 10\%$  of input voltage from nominal line at rated load.
- 3 : Max. Power (W)  $\geq V_o \times I_o$

### Electrical Specification

#### INPUT

- Input Range: 100 to 240 Vac
- Frequency: 50 to 60Hz
- Input Current:  $\leq 1.5A$
- Inrush Current:  $\leq 120A/230VAC$
- Hold up time:  $\geq 8.3ms$
- Turn On Time:  $\leq 3s$

#### OUTPUT

- Short Circuit Protection: Auto Recovery
- Over Voltage Protection: Auto Recovery
- Over Current Protection: Auto Recovery
- Over Temperature Protection: Optional

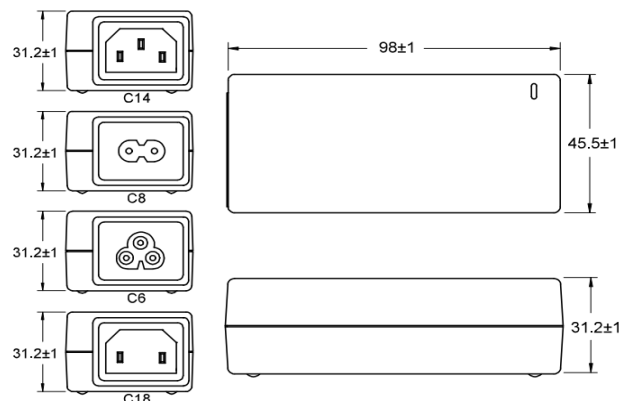
#### ENVIRONMENTAL

- Operating Temperature: 0 to 40°C
- Storage Temperature: -20 to 85°C
- Operating Humidity: 10% to 90 %
- Storage Humidity: 5% to 90 %

#### SAFETY

- Complied with UL/cUL 62368-1 , TUV EN62368-1 , CB IEC62368-1 , FCC , CE

### Mechanical Specification



- Case Size: 98L x 45.5W x 31.2H (mm)
- AC Inlet: C14, C8, C6, C18
- Weight: 200g

Above safety certificates are for reference only. Please contact our sales department for more details.