

Battery Charger



Features

- Constant Power Charging Mode
- Battery Polarity Reverse Protection
- 2 LED Charging Indicator
- 2 Step Fast Charging Capability
- Protections:
 - Short circuit / Over voltage / Over current
 - Over temperature
- MTBF > 50,000 hours
- Recommend for 24V/15~45Ah Lead Acid Battery

EA1118 Y - vv PP

- Y:** Charging Current
vv: Specified output voltage, i.e. 24 is 24VDC
PP: DC plug type, i.e. Code 01 for 5.5x2.1mm or other options (refer to the appendix page)

MODEL No.	FAST CHARGE CURRENT	MAINTAINING CHARGE VOLTAGE	FLOATING CHARGE VOLTAGE
EA1118D	4.0A	29.4V	27.5V
EA1118C	4.5A	29.4V	27.5V

NOTE:

- 1 : Ripple & Noise is measured by using 20MHz bandwidth limited oscilloscope and terminated each output with a 0.1uF ceramic capacitor & parallel with 47uF aluminum capacitor at full load and nominal line.
- 2 : Line regulation is defined by changing $\pm 10\%$ of input voltage from nominal line at rated load.
- 3 : Max. Power (W) $\geq V_o \times I_o$

Electrical Specification

INPUT

- Input Range: 100 to 240 VAC
- Frequency: 50 to 60Hz
- Input Current: 3.2A Max.
- Inrush Current: 60A/100VAC 120A/230VAC
- Hold Up Time: $\geq 8.3\text{ms}$
- Turn On Time: $\leq 3\text{s}$

OUTPUT

- Short Circuit Protection: Auto Recovery
- Over Voltage Protection: Auto Recovery
- Over Current Protection: Auto Recovery
- Over Temperature Protection: Auto Recovery

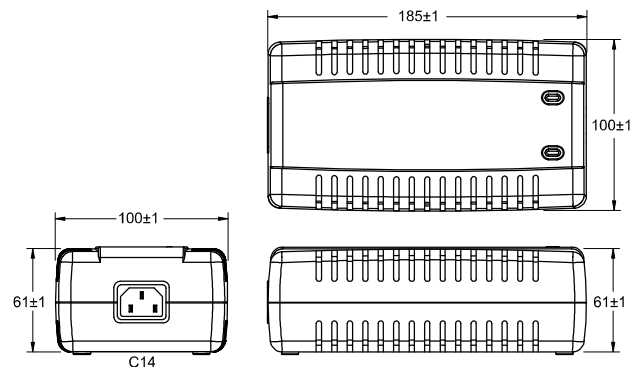
ENVIRONMENT

- Operating Temperature: 0 to 40°C
- Storage Temperature: -20 to 85°C
- Operating Humidity: 10% to 90%
- Storage Humidity: 5% to 95%

SAFETY

- Complied with UL/cUL 1012, EN/IEC 60335-1/EN IEC 60335-2-29, FCC, CE

Mechanical Specification



- Case Size: 185L x 100W x 61H (mm)
- AC Inlet: C14
- Weight: 650g