

AC/DC Desktop Adapter



Features

- Slim Size
- 100-240VAC Universal Input
- LED Indicator
- Active PFC Function
- Protections :
 - Short circuit / Over voltage / Over current
 - Over temperature
- Energy Efficiency Level VI or CoC Tier II
- No Load Power Consumption $\leq 0.21W$ (VI), $\leq 0.15W$ (Tier II)
- MTBF > 100,000 hours

EA1121 X Y - vv PP

- X:** AC inlet: 1. C14 2. C8 3. C6 6. C18
Y: Output range
vv: Specified output voltage, i.e. 12 is 12VDC
PP: DC plug type, i.e. Code 01 for 5.5x2.1mm or other options (refer to the appendix page)

| MODEL No. | MAX. OUTPUT POWER (W) | OUTPUT VOLTAGE (Vo) | MIN. LOAD (Io) | | LOAD REGULATION | LINE REGULATION | RIPPLE & NOISE |
|-----------|-----------------------|---------------------|----------------|----------------|-----------------|-----------------|----------------|
| | | | MIN. LOAD (Io) | MAX. LOAD (Io) | | | |
| EA1121xA | 100W | 12~18V | 0A | 8.33A | ±5% | ±1% | 240mV |
| EA1121xB | 100W | 19~24V | 0A | 5.26A | ±5% | ±1% | 380mV |
| EA1121xC | 100W | 32~42V | 0A | 3.125A | ±5% | ±1% | 640mV |
| EA1121xD | 100W | 44~56V | 0A | 2.27A | ±5% | ±1% | 880mV |
| EA1121xE | 110W | 12~18V | 0A | 9.16A | ±5% | ±1% | 240mV |
| EA1121xF | 110W | 19~24V | 0A | 5.78A | ±5% | ±1% | 380mV |
| EA1121xG | 110W | 32~42V | 0A | 3.43A | ±5% | ±1% | 640mV |
| EA1121xH | 110W | 44~56V | 0A | 2.50A | ±5% | ±1% | 880mV |
| EA1121xJ | 120W | 12~18V | 0A | 10.0A | ±5% | ±1% | 240mV |
| EA1121xK | 120W | 19~24V | 0A | 6.31A | ±5% | ±1% | 380mV |
| EA1121xW | 120W | 32~42V | 0A | 3.75A | ±5% | ±1% | 640mV |
| EA1121xM | 120W | 44~56V | 0A | 2.72A | ±5% | ±1% | 880mV |
| EA1121xN | 135W | 19~24V | 0A | 11.25A | ±5% | ±1% | 380mV |
| EA1121xP | 135W | 32~42V | 0A | 7.10A | ±5% | ±1% | 640mV |
| EA1121xQ | 135W | 44~56V | 0A | 3.06A | ±5% | ±1% | 880mV |

NOTE:

- 1 : Ripple & Noise is measured by using 20MHz bandwidth limited oscilloscope and terminated each output with a 0.1uF ceramic capacitor & parallel with 47uF aluminum capacitor at full load and nominal line.
- 2 : Line regulation is defined by changing $\pm 10\%$ of input voltage from nominal line at rated load.
- 3 : Max. Power (W) $\geq V_o \times I_o$

Electrical Specification

INPUT

- Input Range: 100 to 240 Vac
- Frequency: 50 to 60Hz
- Input Current: $\leq 2.1A$
- Inrush Current: $\leq 120A/230VAC$
- Hold up time: $\geq 8.3ms$
- Turn On Time: $\leq 3s$

OUTPUT

- Short Circuit Protection: Auto Recovery
- Over Voltage Protection: Auto Recovery
- Over Current Protection: Auto Recovery
- Over Temperature Protection: Auto Recovery

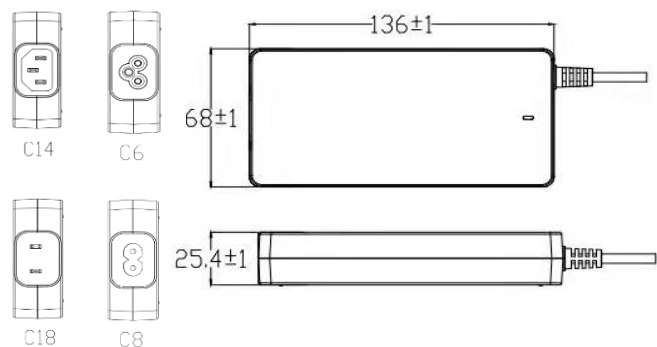
ENVIRONMENTAL

- Operating Temperature: 0 to 40°C
- Storage Temperature: -20 to 85°C
- Operating Humidity: 10% to 90 %
- Storage Humidity: 5% to 90 %

SAFETY

- Complied with UL/cUL 62368-1, TUV EN62368-1, CB IEC62368-1, FCC, CE

Mechanical Specification



- Case Size: 136L x 68W x 25.4H (mm)
- AC Inlet: C14, C8, C6, C18
- Weight: 350g