

Battery Charger



Features

- Constant Power Charging Mode
- Battery Polarity Reverse Protection
- 2 LED Charging Indicator
- 2 Step Fast Charging Capability
- Protections:
 - Short circuit / Over voltage / Over current
 - Over temperature
- MTBF > 50,000 hours
- Recommend for 24V/55~90Ah Lead Acid Battery

EA1230B - PP

PP: DC plug type, i.e. Code 01 for 5.5x2.1mm or other options (refer to the appendix page)

| MODEL NO. | FAST CHARGE CURRENT | MAINTAINING CHARGE VOLTAGE | FLOATING CHARGE VOLTAGE |
|-----------|---------------------|----------------------------|-------------------------|
| EA1230B | 8A | 29.4V | 27.5V |

NOTE:

- 1 : Ripple & Noise is measured by using 20MHz bandwidth limited oscilloscope and terminated each output with a 0.1uF ceramic capacitor & parallel with 47uF aluminum capacitor at full load and nominal line.
- 2 : Line regulation is defined by changing $\pm 10\%$ of input voltage from nominal line at rated load.
- 3 : Max. Power (W) $\geq V_o \times I_o$

Electrical Specification

INPUT

- Input Range: 100 to 240 VAC
- Frequency: 50 to 60Hz
- Input Current: 6A Max.
- Inrush Current: 110A/100VAC 220A/230VAC
- Hold Up Time: $\geq 8.3\text{ms}$
- Turn On Time: $\leq 3\text{s}$

OUTPUT

- Short Circuit Protection: Auto Recovery
- Over Voltage Protection: Auto Recovery
- Over Current Protection: Auto Recovery
- Over Temperature Protection: Auto Recovery

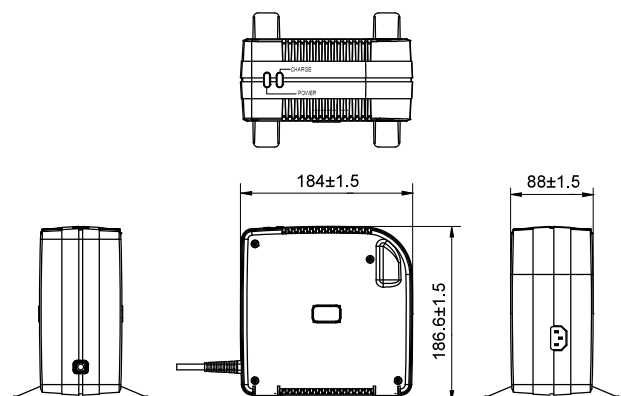
ENVIRONMENT

- Operating Temperature: 0 to 40°C
- Storage Temperature: -20 to 85°C
- Operating Humidity: 10% to 90%
- Storage Humidity: 5% to 95%

SAFETY

- Certified for whole series: UL/cUL 1012, EN/IEC 60335-1/EN IEC 60335-2-29, CE
- Complied with FCC

Mechanical Specification



- Case Size: 184L x 88W x 186.6H (mm)
- AC Inlet: C14
- DC Cable: SVT