

DC/DC Switching Converter



Features

- 11-16VDC Input
- Input voltage protection
- LED Indicator
- Protections:
 - Short circuit / Over voltage / Over current
 - Over temperature
- MTBF > 50,000 hours

ED1010 X - vv PP

- X:** Output range
- vv:** Specified output voltage, i.e. 24 is 24VDC
- PP:** DC plug type, i.e. Code 01 for 5.5x2.1mm or other options (refer to the appendix page)

MODEL No.	MAX. OUTPUT POWER (W)	INPUT VOLTAGE (V _{dc})	OUTPUT VOLTAGE (V _o)	LOAD		LOAD REGULATION	LINE REGULATION	RIPPLE & NOISE
				MIN. (I _o)	MAX. (I _o)			
ED1010A	120W	11~16V	16V	0	7A	± 5%	± 2%	300mV
ED1010B	120W	11~16V	18V	0	6.7A	± 5%	± 2%	300mV
ED1010C	120W	11~16V	19V	0	6.3A	± 5%	± 2%	300mV
ED1010D	120W	11~16V	20V	0	6.0A	± 5%	± 2%	300mV
ED1010E	120W	11~16V	24V	0	5.0A	± 5%	± 2%	300mV

NOTE:

- 1 : Ripple & Noise is measured by using 20MHz bandwidth limited oscilloscope and terminated each output with a 0.1uF ceramic capacitor & parallel with 47uF aluminum capacitor at full load and nominal line.
- 2 : Line regulation is defined by changing ±10% of input voltage from nominal line at rated load.
- 3 : Max. Power (W) ≥ V_o x I_o

Electrical Specification

INPUT

- Input Range: 11 to 16 VDC
- Input Current: 12A Max.
- Efficiency: 87% Min. Nominal input
- Turn On Time: ≤3s

OUTPUT

- Short Circuit Protection: Latch-off
- Over Voltage Protection: Latch-off
- Over Current Protection: Latch-off
- Over Temperature Protection: Auto Recovery

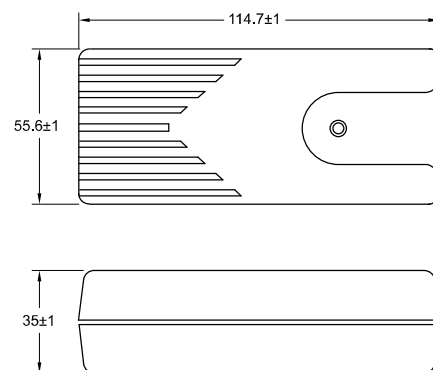
ENVIRONMENT

- Operating Temperature: 0 to 40°C
- Storage Temperature: -20 to 85°C
- Operating Humidity: 10% to 90%
- Storage Humidity: 5% to 95%

SAFETY

- Complied with FCC, CE
- Certified for assigned model : CE for ED1010A/B/C/D/E; CB, EK for ED1010C

Mechanical Specification



- Case Size: 114.7L x 55.6W x 35H (mm)
- DC Input: 600mm cable + cigarette plug
- Weight: 300g