

DC/DC Switching Converter



Features

- 11-36VDC Input
- Input voltage protection
- LED Indicator
- Protections:
Short circuit / Over voltage / Over current
Over temperature
- MTBF > 50,000 hours

ED1062 - vv PP

vv: Specified output voltage, i.e. 12 is 12VDC
PP: DC plug type, i.e. Code 01 for 5.5x2.1mm
 or other options (refer to the appendix page)

MODEL No.	MAX. OUTPUT POWER (W)	INPUT VOLTAGE (Vdc)	OUTPUT VOLTAGE (Vo)	LOAD		LOAD REGULATION	LINE REGULATION	RIPPLE & NOISE
				MIN. (Io)	MAX. (Io)			
ED1062	90W	11~36V	12~24V	0	6A	± 5%	± 1%	300mV

NOTE:

- 1 : Ripple & Noise is measured by using 20MHz bandwidth limited oscilloscope and terminated each output with a 0.1uF ceramic capacitor & parallel with 47uF aluminum capacitor at full load and nominal line.
- 2 : Line regulation is defined by changing ±10% of input voltage from nominal line at rated load.
- 3 : Max. Power (W) ≥ Vo x Io

Electrical Specification

INPUT

- Input Range: 11 to 36 VDC
- Input Current: 10A Max.
- Efficiency: 87% Min. Nominal input
- Turn On Time: ≤3s

OUTPUT

- Short Circuit Protection: Latch-off
- Over Voltage Protection: Latch-off
- Over Current Protection: Latch-off
- Over Temperature Protection: Auto Recovery

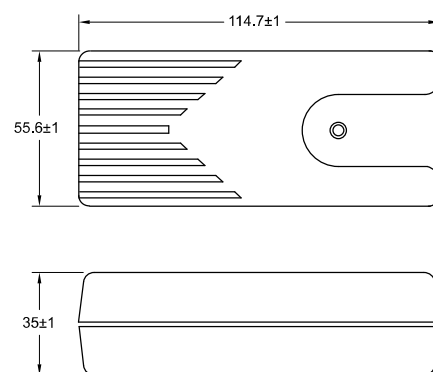
ENVIRONMENT

- Operating Temperature: 0 to 40°C
- Storage Temperature: -20 to 85°C
- Operating Humidity: 10% to 90%
- Storage Humidity: 5% to 95%

SAFETY

- Complied with FCC

Mechanical Specification



- Case Size: 114.7L x 55.6W x 35H (mm)
- DC Input: 600mm cable + cigarette plug
- Weight: 300g