

EDACPOWER



Power on your future

2023

EDACPOWER ELECTRONICS CO., LTD.

Switching Adapter & Power Supply



Company Profile

With more than 25 years of experience, EDACPOWER is one of a global power supply manufacturers in Standard & Custom-Made Solutions.

EDACPOWER has dedicated in the power supply field since 1998, with a variety of I.T.E. switching power supply, Medical switching adaptor, USB Type-C adaptor, DC/DC converter, Battery charger, Open frame, and Down-sized solutions.

EDACPOWER head office is located in Taipei, Taiwan, focuses on general management, finance, sales, and R&D. The designs developed by our R&D team turn into products in two manufacturing plants in Suzhou and Taiwan, with ISO 9001 & ISO 14001 certified. The two locations house a staff of around 800 employees.

As the innovative technology and updated international safety continues, EDACPOWER strives to keep the good momentum on product variety, regulation maintenance, and corporate sustainability.

EDACPOWER seeks for long-term relationship and mutual trust with our customers, employees, and suppliers, as our core value.



Locations



Taipei, Taiwan (HQ)

Administration & Factory / Sales / R&D / Procurement

80



SuZhou, China

Factory / Sales / R&D / Procurement

700



SuZhou, China



Taipei, Taiwan (HQ)

Product Category



Enclosed Switching
Power Supply



Medical Power Supply



DC/DC Switching Converter



ITE/ICT Switching Power Supply



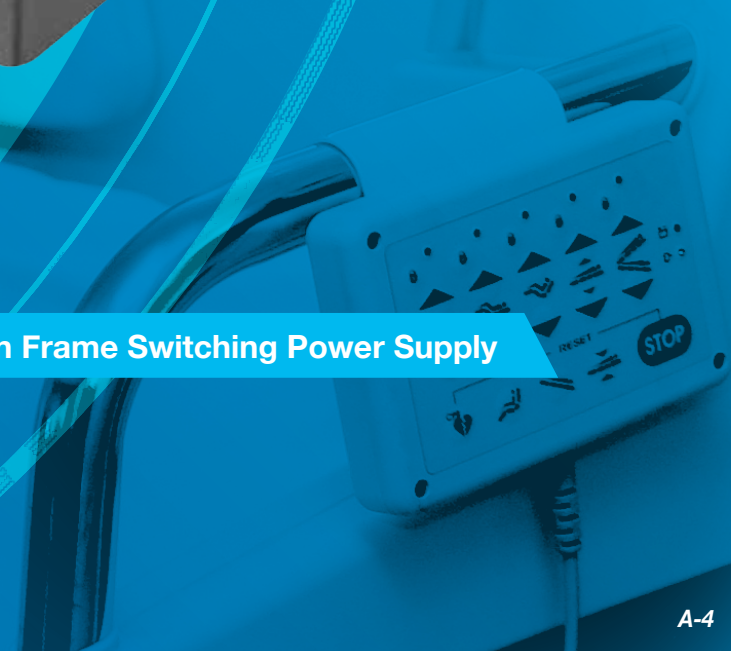
Battery Charger



PD Charger (USB Type-C)



Open Frame Switching Power Supply



USB-C PD GaN Adapter

Features

- IEC/EN/UL 62368-1 Compliance
- Gallium Nitride Solution
- Universal Input 100-240VAC
- Customized Design Available
- PD3.0/PD3.1 & QC4+ Compliance
- Applications: Mobile phones, Tablets, Digital cameras, Headphones, Earphones, Laptops, and other portable devices

| | Series | Output Power | Output Voltage | Case type | PD | QC | USB port | Status |
|---|---------|--------------|-------------------------|-----------------|-------|------|----------|----------------------|
|  | EA1048S | 45W | 5/9/12/ 15/20V | Interchangeable | PD3.0 | QC4+ | 1A+1C | Coming in 2023 Q1 |
|  | EA1065S | 65W | 5/9/12/ 15/20V | Interchangeable | PD3.0 | QC4+ | 1A+2C | Coming in 2023 Q1 |
|  | EA1065 | 65W | 5/9/12/ 15/20V | Desktop | PD3.0 | QC4+ | - | Coming in 2023 Q1 |
|  | EA1140 | 140W | 5/9/12/15/ 20/28V | Desktop | PD3.0 | QC4+ | - | Coming in 2023 Q3 |
|  | EA1240 | 240W | 5/9/12/15/ 20/36/48V | Desktop | PD3.1 | QC4+ | - | Coming in 2023 Q4 |

ITE/Medical GaN Adapter

Features

- IEC/EN/UL 62368-1 & IEC/EN/UL 60601-1 (ed.3.2) Compliance
- Gallium Nitride Solution
- Universal Input 100-240VAC
- 2 x MOPP Compliance
- Low Profile
- Customized Design Available
- Meet Energy Efficiency Level VI & EU CoC Tier 2

| | Series | Output Power | AC inlet | Output Voltage | Status |
|---|--------|--------------|---------------|----------------|-------------------|
|  | EM1121 | 120W | C14/C8/C6/C18 | 12~56V | Coming in 2023 Q2 |
|  | EM1180 | 180W | C14/C8/C6/C18 | 12~56V | Coming in 2023 Q2 |
|  | EM1251 | 250W | C14/C8/C6/C18 | 12~56V | Coming in 2023 Q3 |
|  | EM1330 | 330W | C14/C18 | 12~56V | Coming in 2023 Q4 |
|  | EM1450 | 450W | C14/C18 | 12~56V | Coming in 2023 Q3 |

ITE/ICT Switching Power Supply

PAGE



EA1005 Series

Wall mount type

• 4.5~6W Max.

2



EA1005 Series

Interchangeable plug

• 4.5~6W Max.

3



EA1012 Series

Wall mount type

• 12W Max.

4



EA1012 Series

Interchangeable plug

• 12W Max.

5



EA1019 Series

Wall mount type

• 15~24W Max.

6



EA1019 Series

Interchangeable plug

• 15~24W Max.

7



EA1024 Series

Desktop type

• 16~36W Max.

8



EA1024 Series

Wall mount type

• 16~36W Max.

9



EA1024 Series

Interchangeable plug

• 16~36W Max.

10

NEW



EA1026 Series

Wall mount type

• 18~24W Max.

11

NEW



EA1026 Series

Interchangeable plug

• 18~24W Max.

12

ITE/ICT Switching Power Supply

PAGE

NEW



EA1041 Series

Desktop type

• 25~48W Max.

13



EA1044 Series

Desktop type

• 25~48W Max.

14



EA1045S Series

Interchangeable plug

• 36~48W Max.

15



EA1062S Series

Interchangeable plug

• 60~65W Max.

16



EA1068 Series

Desktop type

• 25~72W Max.

17



EA1073 Series

Desktop type

• 40~65W Max.

18



EA1091S Series

Interchangeable plug

• 80~100W Max.

19



EA1093 Series

Desktop type

• 80~100W Max.

20

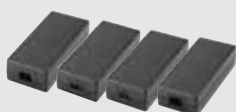


EA1095 Series

Desktop type

• 80~100W Max.

21



EA1101 Series

Desktop type

• 80~130W Max.

22

NEW

Down-Size



EA1121 Series

Desktop type

• 100~135W Max.

23

ITE/ICT Switching Power Supply

PAGE



EA1130 Series

Desktop type

• 130~150W Max.

24

NEW Down-Size



EA1153 Series

Desktop type

• 135~150W Max.

25

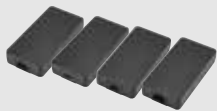


EA1170 Series

Desktop type

• 130~180W Max.

26



EA1181 Series

Desktop type

• 150~200W Max.

27

NEW Down-Size



EA1183 Series

Desktop type

• 130~180W Max.

28

NEW Down-Size



EA1232 Series

Desktop type

• 180~230W Max.

29

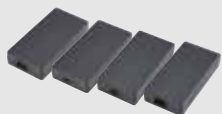


EA1250 Series

Desktop type

• 160~250W Max.

30



EA1252 Series

Desktop type

• 190~250W Max.

31



EA1300 Series

Desktop type

• 230~310W Max.

32

Down-Size



EA1330 Series

Desktop type

• 240~330W Max.

33

Medical Power Supply

PAGE



EM1005 Series

Wall mount type

• 4.5~6W Max.

35



EM1005 Series

Interchangeable plug

• 4.5~6W Max.

36



EM1012 Series

Wall mount type

• 12W Max.

37



EM1012 Series

Interchangeable plug

• 12W Max.

38



EM1019 Series

Wall mount type

• 15~24W Max.

39



EM1019 Series

Interchangeable plug

• 15~24W Max.

40



EM1024 Series

Desktop type

• 16~36W Max.

41



EM1024 Series

Wall mount type

• 16~36W Max.

42



EM1024 Series

Interchangeable plug

• 16~36W Max.

43

NEW



EM1027 Series

Wall mount type

• 18~30W Max.

44

NEW



EM1027 Series







Interchangeable plug

• 18~30W Max.





45

Medical Power Supply

PAGE

| | | | | |
|---|---------------|--------------|-----------------|----|
|  | EM1068 Series | Desktop type | • 25~72W Max. | 46 |
|  | EM1095 Series | Desktop type | • 80~100W Max. | 47 |
|  | EM1101 Series | Desktop type | • 80~130W Max. | 48 |
|  | EM1170 Series | Desktop type | • 130~180W Max. | 49 |
|  | EM1250 Series | Desktop type | • 160~250W Max. | 50 |
|  | EM1300 Series | Desktop type | • 230~310W Max. | 51 |

PD Charger(USB Type-C)

| | | | | |
|---|----------------|----------------------|---------------|----|
|  | EA1045 Series | Desktop type | • 30~45W Max. | 53 |
|  | EA1045 Series | Wall mount type | • 30~45W Max. | 54 |
|  | EA1045 Series | Interchangeable plug | • 30~45W Max. | 55 |
|  | EA1045S Series | Interchangeable plug | • 30~45W Max. | 56 |

PD Charger(USB Type-C)

PAGE



EA1062 Series

Desktop type

• 60W Max.

57



EA1062S Series

Interchangeable plug

• 60~65W Max.

58



EA1103 Series

Desktop type

• 85~100W Max.

59



ED1046P Series

PD Car Adapter

• 45W Max.

60

Battery Charger

NEW



EC1085 Series

Lithium-ion Battery Charger

• 42~84W Max.

62

NEW



EC1168 Series

Lithium-ion Battery Charger

• 84~168W Max.

63



EA1089 Series

Lead-Acid Battery Charger

• For 24V Lead-Acid

64



EA1118 Series

Lead-Acid Battery Charger

• For 24V Lead-Acid

65



EA1148 Series

Lead-Acid Battery Charger

• For 24V Lead-Acid

66



EA1230B Series

Lead-Acid Battery Charger

• For 24V Lead-Acid

67

Open Frame Switching Power Supply

PAGE

NEW



EPM1122 Series

Medical Open Frame

• 100~150W Max.

69

NEW



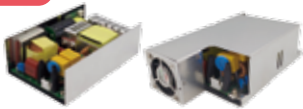
EPM1153 Series

Medical Open Frame

• 130~200W Max.

70

NEW



EPM1350 Series

Medical Open Frame

• 300~500W Max.

71-73



EP1065U Series

Industrial Open Frame

• 30~72W Max.

74



EP1100A Series

Industrial Open Frame

• 100W Max.

75



EP1121 Series

Industrial Open Frame

• 100~130W Max.

76



EPM1065 Series

Medical Open Frame

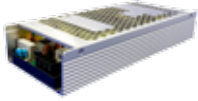
• 30~65W Max.

77-79

Enclosed Switching power supply

PAGE

NEW



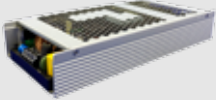
EP1800 Series

Enclosed

• 750~800W Max.

81

NEW



EP11000 Series

Enclosed

• 960~1008W Max.

82

NEW



EP11500 Series

Enclosed

• 1500~1512W Max.

83

NEW



EPL Series

Enclosed

• 130~2500W Max.

84

DC/DC Switching Converter



ED1032 Series

DC/DC Switching Converter

• 20~50W Max.

86



ED1046 Series

DC/DC Switching Converter

• 36~45W Max.

87

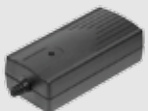


ED1058 Series

DC/DC Switching Converter

• 41~72W Max.

88



ED1062 Series

DC/DC Switching Converter

• 90W Max.

89



ED1075 Series

DC/DC Switching Converter

• 75W Max.

90



ED1096 Series

DC/DC Switching Converter

• 90W Max.

91

Table of Contents

DC/DC Switching Converter

PAGE

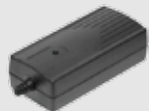


ED1097 Series

DC/DC Switching Converter

• 90W Max.

92



ED1010 Series

DC/DC Switching Converter

• 120W Max.

93

Appendix

PAGE

Plug List of Output Cable

94-95

Milestone

96-97

Safety

98



▶ ITE / ICT Switching Power Supply

- IEC/EN/UL 62368-1 Compliance
- Universal Input 100-240VAC
 - Wall mounted/Desktop types
 - Multiple Protections
 - Energy Efficiency Level VI or CoC Tier II
 - Slim types available

AC/DC Wall Mount Adaptor

Vertical (USB & SR Type)



Horizontal (USB & SR Type)



Features

- LPS Compliance
- Protections :
Short circuit / Over voltage / Over current
- Energy Efficiency Level VI or CoC Tier II
- No Load Power Consumption $\leq 0.1W$ (VI), $\leq 0.075W$ (Tier II)
- MTBF > 100,000 hours

EA1005 X Y Z T - vv PP

- X:** Output range
Y: Case type: (V)Vertical or (H)Horizontal
Z: AC plug type: • U: USA • E: EU • K: UK
T: Output type: U (USB) or S (SR)
vv: Specified output voltage, i.e. 12 is 12VDC
PP: DC plug type, i.e. Code 01 for 5.5x2.1mm or other options (refer to the appendix page)

General Specification

OUTPUT

| MODEL No. | MAX. OUTPUT POWER (W) | OUTPUT VOLTAGE (Vo) | MIN. LOAD (Io) | MAX. LOAD (Io) | LOAD REGULATION | LINE REGULATION | RIPPLE & NOISE |
|------------|-----------------------|---------------------|----------------|----------------|-----------------|-----------------|----------------|
| EA1005AYZT | 6W | 5~8V | 0A | 1.2A | $\pm 5\%$ | $\pm 1\%$ | 100mV |
| EA1005BYZT | 6W | 9~12V | 0A | 0.66A | $\pm 5\%$ | $\pm 1\%$ | 180mV |
| EA1005CYZT | 4.5W | 9V | 0A | 0.5A | $\pm 5\%$ | $\pm 1\%$ | 180mV |
| EA1005DYZT | 6W | 9V | 0A | 0.67A | $\pm 5\%$ | $\pm 1\%$ | 180mV |

NOTE:

- 1 : Ripple & Noise is measured by using 20MHz bandwidth limited oscilloscope and terminated each output with a 0.1uF ceramic capacitor & parallel with 47uF aluminum capacitor at full load and nominal line.
- 2 : Line regulation is defined by changing $\pm 10\%$ of input voltage from nominal line at rated load.
- 3 : Max. Power (W) $\geq V_o \times I_o$

INPUT

- Input Range 100 to 240 VAC
- Frequency 50 to 60Hz
- Input Current $\leq 0.6A$
- Inrush Current $\leq 60A/230VAC$
- Hold Up Time $\geq 8.3ms$
- Turn On Time $\leq 5s$

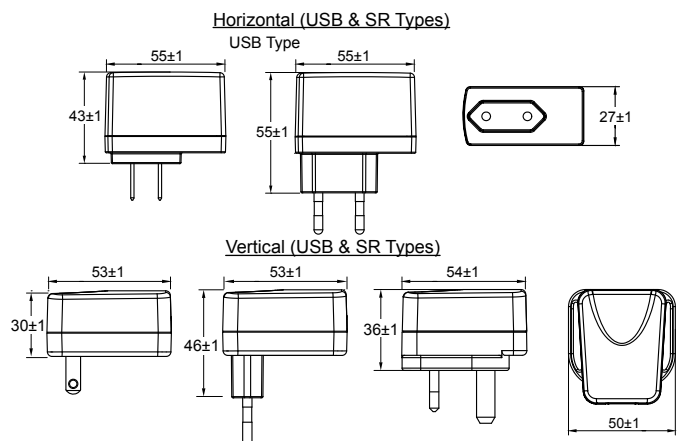
PROTECTION

- Short Circuit Protection Auto Recovery
- Over Voltage Protection Auto Recovery
- Over Current Protection Auto Recovery

ENVIRONMENT

- Operating Temperature -20 to 40°C
- Storage Temperature -20 to 85°C
- Operating Humidity 10% to 90%
- Storage Humidity 5% to 95%

MECHANICAL



- Case Size: Horizontal: USB: 55L x 27W x 55H (mm)
SR: 55L x 25W x 55H (mm)
Vertical: USA: 53L x 41W x 30 H (mm)
EU: 53L x 41W x 46H (mm)
UK: 54L x 50W x 36H (mm)
- AC Plug: U: USA, E: EU, K: UK
- Weight: 70g

SAFETY

- Certified for whole series: UL 62368-1, CAN/CSA C22.2 No. 62368-1, TUV EN 62368-1, CB IEC 62368-1, FCC Part 15B, CE EMC(EN 55032+EN 55035), CCC, BSMI, UKCA

AC/DC Interchangeable Adaptor



Features

- LPS Compliance
- Protections:
Short circuit / Over voltage / Over current
- Energy Efficiency Level VI or CoC Tier II
- No Load Power Consumption $\leq 0.1W$ (VI), $\leq 0.075W$ (Tier II)
- MTBF > 100,000 hours

EA1005 X Y R T - wv PP

- X:** Output range
Y: Case type: (V)Vertical
R: Interchangeable AC plug:
 • U: USA • E: EU • K: UK • A: SAA • C: China
 • S: South Africa • B: Korea • I: India
T: Output type: U (USB) or S (SR)
wv: Specified output voltage, i.e. 12 is 12VDC
PP: DC plug type, i.e. Code 01 for 5.5x2.1mm or other options (refer to the appendix page)

General Specification

OUTPUT

| MODEL No. | MAX. OUTPUT POWER (W) | OUTPUT VOLTAGE (Vo) | MIN. LOAD (Io) | MAX. LOAD (Io) | LOAD REGULATION | LINE REGULATION | RIPPLE & NOISE |
|------------|-----------------------|---------------------|----------------|----------------|-----------------|-----------------|----------------|
| EA1005AVRT | 6W | 5~8V | 0A | 1.2A | $\pm 5\%$ | $\pm 1\%$ | 100mV |
| EA1005BVRT | 6W | 9~12V | 0A | 0.66A | $\pm 5\%$ | $\pm 1\%$ | 180mV |
| EA1005CVRT | 4.5W | 9V | 0A | 0.5A | $\pm 5\%$ | $\pm 1\%$ | 180mV |
| EA1005DVRT | 6W | 9V | 0A | 0.67A | $\pm 5\%$ | $\pm 1\%$ | 180mV |

NOTE:

- 1 : Ripple & Noise is measured by using 20MHz bandwidth limited oscilloscope and terminated each output with a 0.1uF ceramic capacitor & parallel with 47uF aluminum capacitor at full load and nominal line.
- 2 : Line regulation is defined by changing $\pm 10\%$ of input voltage from nominal line at rated load.
- 3 : Max. Power (W) $\geq V_o \times I_o$

INPUT

- Input Range: 100 to 240 VAC
- Frequency: 50 to 60Hz
- Input Current: $\leq 0.6A$
- Inrush Current: $\leq 60A/230VAC$
- Hold Up Time: $\geq 8.3ms$
- Turn On Time: $\leq 5s$

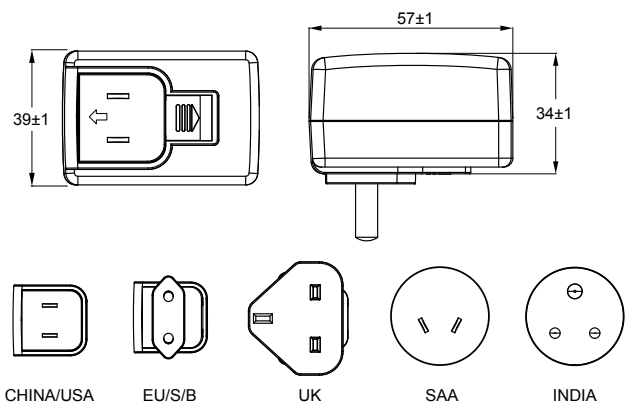
PROTECTION

- Short Circuit Protection: Auto Recovery
- Over Voltage Protection: Auto Recovery
- Over Current Protection: Auto Recovery

ENVIRONMENT

- Operating Temperature: -20 to 40°C
- Storage Temperature: -20 to 85°C
- Operating Humidity: 10% to 90%
- Storage Humidity: 5% to 95%

MECHANICAL



- Case Size: 57L x 39W x 34H (mm)
- AC Plug: U: USA, E: EU, K: UK, A: SAA, C: China
S: South Africa, B: Korea, I: India
- Weight: 70g

SAFETY

- Certified for whole series: UL 62368-1, CAN/CSA C22.2 No. 62368-1, TUV EN 62368-1, CB IEC 62368-1, FCC Part 15B, CE EMC(EN 55032+EN 55035), CCC, BSMI, UKCA

AC/DC Wall Mount Adaptor

Vertical (USB & SR Type)



Horizontal (USB & SR Type)



Features

- LPS Compliance
- Protections:
 - Short circuit / Over voltage / Over current
- Energy Efficiency Level VI or CoC Tier II
- No Load Power Consumption $\leq 0.1W$ (VI), $\leq 0.075W$ (Tier II)
- MTBF > 100,000 hours

EA1012 X Y Z T - vv PP

- X:** Output range
- Y:** Case type: (V)Vertical or (H)Horizontal
- Z:** AC plug type: • U: USA • E: EU • K: UK
- T:** Output type: U (USB) or S (SR)
- vv:** Specified output voltage, i.e. 12 is 12VDC
- PP:** DC plug type, i.e. Code 01 for 5.5x2.1mm or other options (refer to the appendix page)

General Specification

OUTPUT

| MODEL No. | MAX. OUTPUT POWER (W) | OUTPUT VOLTAGE (Vo) | MIN. LOAD (Io) | MAX. LOAD (Io) | LOAD REGULATION | LINE REGULATION | RIPPLE & NOISE |
|------------|-----------------------|---------------------|----------------|----------------|-----------------|-----------------|----------------|
| EA1012AYZT | 12W | 5~8V | 0A | 2.4A | $\pm 5\%$ | $\pm 1\%$ | 100mV |
| EA1012BYZT | 12W | 9~11V | 0A | 1.33A | $\pm 5\%$ | $\pm 1\%$ | 180mV |
| EA1012CZYT | 12W | 12~17V | 0A | 1A | $\pm 5\%$ | $\pm 1\%$ | 250mV |
| EA1012DZYT | 12W | 18~24V | 0A | 0.66A | $\pm 5\%$ | $\pm 1\%$ | 350mV |

NOTE:

- 1 : Ripple & Noise is measured by using 20MHz bandwidth limited oscilloscope and terminated each output with a 0.1uF ceramic capacitor & parallel with 47uF aluminum capacitor at full load and nominal line.
- 2 : Line regulation is defined by changing $\pm 10\%$ of input voltage from nominal line at rated load.
- 3 : Max. Power (W) $\geq V_o \times I_o$

INPUT

- Input Range 100 to 240 VAC
- Frequency 50 to 60Hz
- Input Current $\leq 1A$
- Inrush Current $\leq 60A/230VAC$
- Hold Up Time $\geq 8.3ms$
- Turn On Time $\leq 5s$

PROTECTION

- Short Circuit Protection Auto Recovery
- Over Voltage Protection Auto Recovery
- Over Current Protection Auto Recovery

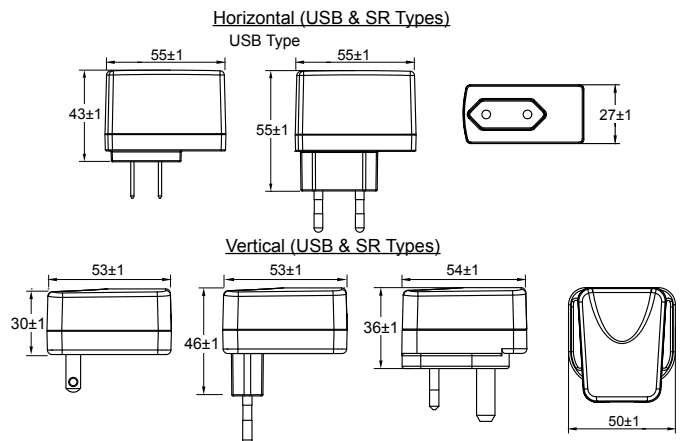
ENVIRONMENT

- Operating Temperature -20 to 40°C
- Storage Temperature -20 to 85°C
- Operating Humidity 10% to 90%
- Storage Humidity 5% to 95%

SAFETY

- Certified for whole series: UL 62368-1, CAN/CSA C22.2 No. 62368-1, TUV EN 62368-1, CB IEC 62368-1, FCC Part 15B, CE EMC(EN 55032+EN 55035), CCC, UKCA
- Certified for assigned models: PSE

MECHANICAL



- Case Size: Horizontal: USB: 55L x 27W x 55H (mm)
SR: 55L x 25W x 55H (mm)
Vertical: USA: 53L x 41W x 30H (mm)
EU: 53L x 41W x 46H (mm)
UK: 54L x 50W x 36H (mm)
- AC Plug: U: USA, E: EU, K: UK
- Weight: 70g

AC/DC Interchangeable Adaptor



Features

- LPS Compliance
- Protections:
 - Short circuit / Over voltage / Over current
- Energy Efficiency Level VI or CoC Tier II
- No Load Power Consumption $\leq 0.1W$ (VI), $\leq 0.075W$ (Tier II)
- MTBF > 100,000 hours

EA1012 X Y R T - w PP

- X:** Output range
Y: Case type (V)Vertical
R: Interchangeable AC plug:
 - U: USA • E: EU • K: UK • A: SAA • C: China
 - S: South Africa • B: Korea • I: India
- T:** Output type U (USB) or S (SR)
w: Specified output voltage, i.e. 12 is 12VDC
PP: DC plug type, i.e. Code 01 for 5.5x2.1mm or other options (refer to the appendix page)

General Specification

OUTPUT

| MODEL No. | MAX. OUTPUT POWER (W) | OUTPUT VOLTAGE (Vo) | MIN. LOAD (Io) | MAX. LOAD (Io) | LOAD REGULATION | LINE REGULATION | RIPPLE & NOISE |
|------------|-----------------------|---------------------|----------------|----------------|-----------------|-----------------|----------------|
| EA1012AVRT | 12W | 5~8V | 0A | 2.4A | $\pm 5\%$ | $\pm 1\%$ | 100mV |
| EA1012BVRT | 12W | 9~11V | 0A | 1.33A | $\pm 5\%$ | $\pm 1\%$ | 180mV |
| EA1012CVRT | 12W | 12~17V | 0A | 1A | $\pm 5\%$ | $\pm 1\%$ | 250mV |
| EA1012DVRT | 12W | 18~24V | 0A | 0.66A | $\pm 5\%$ | $\pm 1\%$ | 350mV |

NOTE:

- 1 : Ripple & Noise is measured by using 20MHz bandwidth limited oscilloscope and terminated each output with a 0.1uF ceramic capacitor & parallel with 47uF aluminum capacitor at full load and nominal line.
- 2 : Line regulation is defined by changing $\pm 10\%$ of input voltage from nominal line at rated load.
- 3 : Max. Power (W) $\geq V_o \times I_o$

INPUT

- Input Range: 100 to 240 VAC
- Frequency: 50 to 60Hz
- Input Current: $\leq 1A$
- Inrush Current: $\leq 60A/230VAC$
- Hold Up Time: $\geq 8.3ms$
- Turn On Time: $\leq 5s$

PROTECTION

- Short Circuit Protection: Auto Recovery
- Over Voltage Protection: Auto Recovery
- Over Current Protection: Auto Recovery

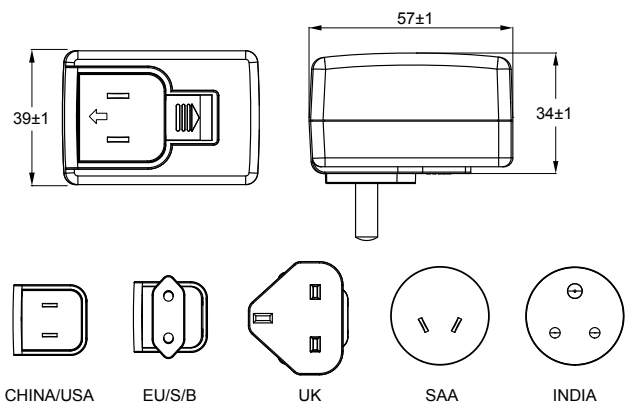
ENVIRONMENT

- Operating Temperature: -20 to 40°C
- Storage Temperature: -20 to 85°C
- Operating Humidity: 10% to 90%
- Storage Humidity: 5% to 95%

SAFETY

- Certified for whole series: UL 62368-1, CAN/CSA C22.2 No. 62368-1, TUV EN 62368-1, CB IEC 62368-1, FCC Part 15B, CE EMC(EN 55032+EN 55035), CCC, UKCA
- Certified for assigned models: PSE

MECHANICAL



- Case Size: 57L x 39W x 34H (mm)
- AC Plug: U: USA, E: EU, K: UK, A: SAA, C: China
S: South Africa, B: Korea, I: India
- Weight: 70g

AC/DC Wall Mount Adaptor



Features

- LPS Compliance
- Protections:
Short circuit / Over voltage / Over current
- Energy Efficiency Level VI or CoC Tier II
- No Load Power Consumption $\leq 0.1W$ (VI), $\leq 0.075W$ (Tier II)
- MTBF > 100,000 hours

EA1019 X Y Z T - vv PP

- X:** Output range
- Y:** Case type: (V)Vertical or (H)Horizontal
- Z:** AC Plug: • U: USA • E: EU • K: UK • A: SAA • C: China
- T:** Output type: S (SR)
- vv:** Specified output voltage, i.e. 12 is 12VDC
- PP:** DC plug type, i.e. Code 01 for 5.5x2.1mm or other options (refer to the appendix page)

General Specification

OUTPUT

| MODEL No. | MAX. OUTPUT POWER (W) | OUTPUT VOLTAGE (Vo) | MIN. LOAD (Io) | MAX. LOAD (Io) | LOAD REGULATION | LINE REGULATION | RIPPLE & NOISE |
|------------|-----------------------|---------------------|----------------|----------------|-----------------|-----------------|----------------|
| EA1019AYZS | 15W | 5~8V | 0A | 3A | $\pm 5\%$ | $\pm 1\%$ | 100mV |
| EA1019BYZS | 20W | 9~13V | 0A | 2A | $\pm 5\%$ | $\pm 1\%$ | 180mV |
| EA1019CZYS | 20W | 14~19V | 0A | 1.42A | $\pm 5\%$ | $\pm 1\%$ | 200mV |
| EA1019DZYS | 20W | 20~27V | 0A | 1A | $\pm 5\%$ | $\pm 1\%$ | 250mV |
| EA1019EYZS | 20W | 28~35V | 0A | 0.71A | $\pm 5\%$ | $\pm 1\%$ | 280mV |
| EA1019FYZS | 20W | 36~48V | 0A | 0.55A | $\pm 5\%$ | $\pm 1\%$ | 360mV |
| EA1019GYZS | 18W | 5~8V | 0A | 3A | $\pm 5\%$ | $\pm 1\%$ | 100mV |
| EA1019HZYS | 24W | 9~13V | 0A | 2A | $\pm 5\%$ | $\pm 1\%$ | 180mV |
| EA1019JZYS | 24W | 14~19V | 0A | 1.71A | $\pm 5\%$ | $\pm 1\%$ | 200mV |
| EA1019KZYS | 24W | 20~27V | 0A | 1.2A | $\pm 5\%$ | $\pm 1\%$ | 250mV |
| EA1019MZYS | 24W | 28~35V | 0A | 0.85A | $\pm 5\%$ | $\pm 1\%$ | 280mV |
| EA1019NZYS | 24W | 36~48V | 0A | 0.66A | $\pm 5\%$ | $\pm 1\%$ | 360mV |

NOTE:

- 1: Ripple & Noise is measured by using 20MHz bandwidth limited oscilloscope and terminated each output with a 0.1uF ceramic capacitor & parallel with 47uF aluminum capacitor at full load and nominal line.
- 2: Line regulation is defined by changing $\pm 10\%$ of input voltage from nominal line at rated load.
- 3: Max. Power (W) $\geq V_o \times I_o$

INPUT

- Input Range: 100 to 240 VAC
- Frequency: 50 to 60Hz
- Input Current: $\leq 0.8A$
- Inrush Current: $\leq 80A/230VAC$
- Hold Up Time: $\geq 8.3ms$
- Turn On Time: $\leq 3s$

PROTECTION

- Short Circuit Protection: Auto Recovery
- Over Voltage Protection: Auto Recovery
- Over Current Protection: Auto Recovery

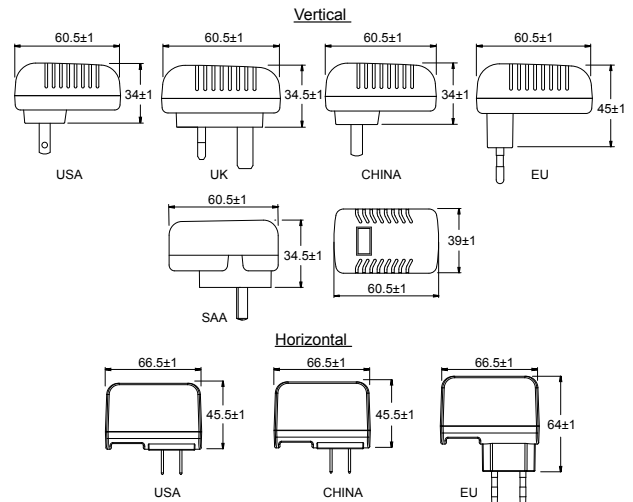
ENVIRONMENT

- Operating Temperature: -20 to 40°C
- Storage Temperature: -20 to 85°C
- Operating Humidity: 10% to 90%
- Storage Humidity: 5% to 95%

SAFETY

- Certified for whole series: UL 62368-1, CAN/CSA C22.2 No. 62368-1, TUV EN 62368-1, CB IEC 62368-1, FCC Part 15B, CE EMC(EN 55032+EN 55035), CCC, BSMI, UKCA
- Certified for assigned models: PSE, BIS, Argentina, RCM, NRCAN

MECHANICAL



- Case Size: Vertical: 60.5L x 39W x 45H (mm)
Horizontal: 66.5L x 64W x 26H (mm)
- AC Plug: U: USA, E: EU, K: UK, A: SAA, C: China
- Weight: 120g

AC/DC Interchangeable Adaptor



Features

- LPS Compliance
- Protections:
Short circuit / Over voltage / Over current
- Energy Efficiency Level VI or CoC Tier II
- No Load Power Consumption $\leq 0.1W$ (VI), $\leq 0.075W$ (Tier II)
- MTBF > 100,000 hours

EA1019 X Y R T - vv PP

- X:** Output range
Y: Case type: (V)Vertical
R: Interchangeable AC plug:
 • U: USA • E: EU • K: UK • A: SAA • C: China
 • S: South Africa • B: Korea • I: India
T: Output type: S (SR)
vv: Specified output voltage, i.e. 12 is 12VDC
PP: DC plug type, i.e. Code 01 for 5.5x2.1mm or other options (refer to the appendix page)

General Specification

OUTPUT

| MODEL No. | MAX. OUTPUT POWER (W) | OUTPUT VOLTAGE (Vo) | MIN. LOAD (Io) | MAX. LOAD (Io) | LOAD REGULATION | LINE REGULATION | RIPPLE & NOISE |
|------------|-----------------------|---------------------|----------------|----------------|-----------------|-----------------|----------------|
| EA1019AVRS | 15W | 5~8V | 0A | 3A | $\pm 5\%$ | $\pm 1\%$ | 100mV |
| EA1019BVRS | 20W | 9~13V | 0A | 2A | $\pm 5\%$ | $\pm 1\%$ | 180mV |
| EA1019CVRS | 20W | 14~19V | 0A | 1.42A | $\pm 5\%$ | $\pm 1\%$ | 200mV |
| EA1019DVRS | 20W | 20~27V | 0A | 1A | $\pm 5\%$ | $\pm 1\%$ | 250mV |
| EA1019EVRS | 20W | 28~35V | 0A | 0.71A | $\pm 5\%$ | $\pm 1\%$ | 280mV |
| EA1019FVRS | 20W | 36~48V | 0A | 0.55A | $\pm 5\%$ | $\pm 1\%$ | 360mV |
| EA1019GVRS | 18W | 5~8V | 0A | 3A | $\pm 5\%$ | $\pm 1\%$ | 100mV |
| EA1019HVRS | 24W | 9~13V | 0A | 2A | $\pm 5\%$ | $\pm 1\%$ | 180mV |
| EA1019JVRS | 24W | 14~19V | 0A | 1.71A | $\pm 5\%$ | $\pm 1\%$ | 200mV |
| EA1019KVRS | 24W | 20~27V | 0A | 1.2A | $\pm 5\%$ | $\pm 1\%$ | 250mV |
| EA1019MVRS | 24W | 28~35V | 0A | 0.85A | $\pm 5\%$ | $\pm 1\%$ | 280mV |
| EA1019NVRS | 24W | 36~48V | 0A | 0.66A | $\pm 5\%$ | $\pm 1\%$ | 360mV |

NOTE:

- 1 : Ripple & Noise is measured by using 20MHz bandwidth limited oscilloscope and terminated each output with a 0.1uF ceramic capacitor & parallel with 47uF aluminum capacitor at full load and nominal line.
- 2 : Line regulation is defined by changing $\pm 10\%$ of input voltage from nominal line at rated load.
- 3 : Max. Power (W) $\geq V_o \times I_o$

INPUT

- Input Range: 100 to 240 VAC
- Frequency: 50 to 60Hz
- Input Current: $\leq 0.8A$
- Inrush Current: $\leq 80A/230VAC$
- Hold Up Time: $\geq 8.3ms$
- Turn On Time: $\leq 3s$

PROTECTION

- Short Circuit Protection: Auto Recovery
- Over Voltage Protection: Auto Recovery
- Over Current Protection: Auto Recovery

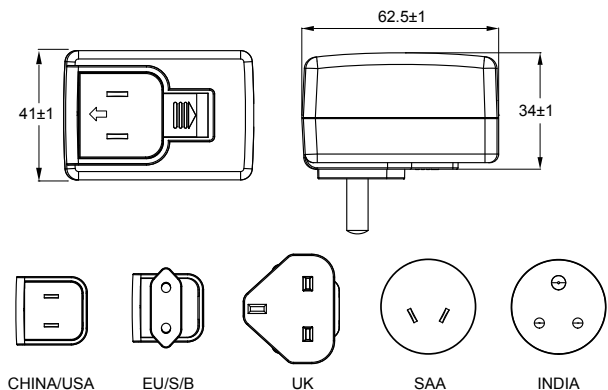
ENVIRONMENT

- Operating Temperature: -20 to 40°C
- Storage Temperature: -20 to 85°C
- Operating Humidity: 10% to 90%
- Storage Humidity: 5% to 95%

SAFETY

- Certified for whole series: UL 62368-1, CAN/CSA C22.2 No. 62368-1, TUV EN 62368-1, CB IEC 62368-1, FCC Part 15B, CE EMC(EN 55032+EN 55035), CCC, BSMI, UKCA
- Certified for assigned models: PSE, BIS, Argentina, RCM, NRCAN, PSB

MECHANICAL



- Case Size: 62.5L x 41W x 34H (mm)
- AC Plug: U: USA, E: EU, K: UK, A: SAA, C: China
S: South Africa, B: Korea, I: India
- Weight: 150g

AC/DC Desktop Adaptor

ITE / ICT Switching Power Supply



Features

- LED Indicator (optional)
- LPS Compliance
- Protections:
 - Short circuit / Over voltage / Over current
- Energy Efficiency Level VI or CoC Tier II
- No Load Power Consumption $\leq 0.1W$ (VI), $\leq 0.075W$ (Tier II)
- MTBF > 100,000 hours

EA1024 X Y - vv PP

- X:** Output range
Y: AC inlet: 1. C14 2. C8 3. C6 6. C18
vv: Specified output voltage, i.e. 12 is 12VDC
PP: DC plug type, i.e. Code 01 for 5.5x2.1mm or other options (refer to the appendix page)

General Specification

OUTPUT

| MODEL No. | MAX. OUTPUT POWER (W) | OUTPUT VOLTAGE (Vo) | MIN. LOAD (Io) | MAX. LOAD (Io) | LOAD REGULATION | LINE REGULATION | RIPPLE & NOISE |
|-----------|-----------------------|---------------------|----------------|----------------|-----------------|-----------------|----------------|
| EA1024AY | 16W | 5~8V | 0A | 2A | ± 5% | ± 1% | 100mV |
| EA1024BY | 20W | 5~8V | 0A | 3A | ± 5% | ± 1% | 100mV |
| EA1024CY | 24W | 5~8V | 0A | 4A | ± 5% | ± 1% | 100mV |
| EA1024DY | 18W | 9~11V | 0A | 1.5A | ± 5% | ± 1% | 250mV |
| EA1024EY | 24W | 9~11V | 0A | 2A | ± 5% | ± 1% | 250mV |
| EA1024FY | 27W | 9~11V | 0A | 3A | ± 5% | ± 1% | 250mV |
| EA1024GY | 20W | 12~17V | 0A | 1.66A | ± 5% | ± 1% | 250mV |
| EA1024HY | 30W | 12~17V | 0A | 2.5A | ± 5% | ± 1% | 250mV |
| EA1024JY | 24W | 18~24V | 0A | 1.33A | ± 5% | ± 1% | 350mV |
| EA1024KY | 30W | 18~24V | 0A | 1.66A | ± 5% | ± 1% | 350mV |
| EA1024MY | 20W | 36~48V | 0A | 0.55A | ± 5% | ± 1% | 480mV |
| EA1024NY | 30W | 36~48V | 0A | 0.83A | ± 5% | ± 1% | 480mV |
| EA1024PY | 36W | 12V | 0A | 3A | ± 5% | ± 1% | 250mV |
| EA1024QY | 24W | 12V | 0A | 2A | ± 5% | ± 1% | 250mV |
| EA1024RY | 36W | 24V | 0A | 1.5A | ± 5% | ± 1% | 350mV |

NOTE:

- 1 : Ripple & Noise is measured by using 20MHz bandwidth limited oscilloscope and terminated each output with a 0.1uF ceramic capacitor & parallel with 47uF aluminum capacitor at full load and nominal line.
- 2 : Line regulation is defined by changing $\pm 10\%$ of input voltage from nominal line at rated load.
- 3 : Max. Power (W) $\geq V_o \times I_o$

INPUT

- Input Range: 100 to 240 VAC
- Frequency: 50 to 60Hz
- Input Current: $\leq 1A$
- Inrush Current: $\leq 60A/230VAC$
- Hold Up Time: $\geq 8.3ms$
- Turn On Time: $\leq 3s$

PROTECTION

- Short Circuit Protection: Auto Recovery
- Over Voltage Protection: Latch-off
- Over Current Protection: Auto Recovery

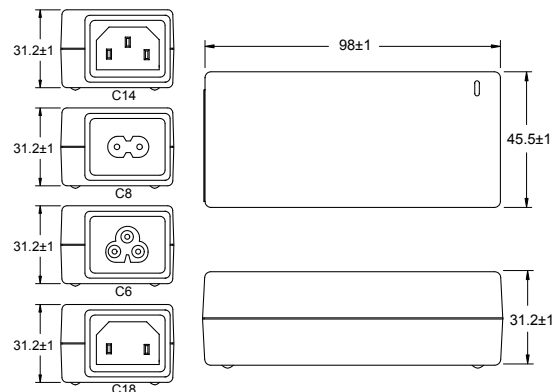
ENVIRONMENT

- Operating Temperature: -20 to 40°C
- Storage Temperature: -20 to 85°C
- Operating Humidity: 10% to 90%
- Storage Humidity: 5% to 95%

SAFETY

- Certified for whole series: UL 62368-1, CAN/CSA C22.2 No. 62368-1, TUV EN 62368-1, CB IEC 62368-1, FCC Part 15B, CE EMC(EN 55032+EN 55035), CCC, BSMI, UKCA
- Certified for assigned models: PSE, BIS, RCM, KC, CU, PSB, NRCAN, Argentina

MECHANICAL



- Case Size: 98L x 45.5W x 31.2H (mm)
- AC Inlet: C14, C8, C6, C18
- Weight: 200g

AC/DC Wall Mount Adaptor



Features

- LPS Compliance
- Protections:
 - Short circuit / Over voltage / Over current
- Energy Efficiency Level VI or CoC Tier II
- No Load Power Consumption $\leq 0.1W$ (VI), $\leq 0.075W$ (Tier II)
- MTBF > 100,000 hours

EA1024 X Y - vv PP

- X:** Output range
Y: AC plug: • U: USA • E: EU • K: UK • A: SAA
vv: Specified output voltage, i.e. 12 is 12VDC
PP: DC plug type, i.e. Code 01 for 5.5x2.1mm or other options (refer to the appendix page)

General Specification

OUTPUT

| MODEL No. | MAX. OUTPUT POWER (W) | OUTPUT VOLTAGE (Vo) | MIN. LOAD (Io) | MAX. LOAD (Io) | LOAD REGULATION | LINE REGULATION | RIPPLE & NOISE |
|-----------|-----------------------|---------------------|----------------|----------------|-----------------|-----------------|----------------|
| EA1024AY | 16W | 5~8V | 0A | 2A | $\pm 5\%$ | $\pm 1\%$ | 100mV |
| EA1024BY | 20W | 5~8V | 0A | 3A | $\pm 5\%$ | $\pm 1\%$ | 100mV |
| EA1024CY | 24W | 5~8V | 0A | 4A | $\pm 5\%$ | $\pm 1\%$ | 100mV |
| EA1024DY | 18W | 9~11V | 0A | 1.5A | $\pm 5\%$ | $\pm 1\%$ | 250mV |
| EA1024EY | 24W | 9~11V | 0A | 2A | $\pm 5\%$ | $\pm 1\%$ | 250mV |
| EA1024FY | 27W | 9~11V | 0A | 3A | $\pm 5\%$ | $\pm 1\%$ | 250mV |
| EA1024GY | 20W | 12~17V | 0A | 1.66A | $\pm 5\%$ | $\pm 1\%$ | 250mV |
| EA1024HY | 30W | 12~17V | 0A | 2.5A | $\pm 5\%$ | $\pm 1\%$ | 250mV |
| EA1024JY | 24W | 18~24V | 0A | 1.33A | $\pm 5\%$ | $\pm 1\%$ | 350mV |
| EA1024KY | 30W | 18~24V | 0A | 1.66A | $\pm 5\%$ | $\pm 1\%$ | 350mV |
| EA1024MY | 20W | 36~48V | 0A | 0.55A | $\pm 5\%$ | $\pm 1\%$ | 480mV |
| EA1024NY | 30W | 36~48V | 0A | 0.83A | $\pm 5\%$ | $\pm 1\%$ | 480mV |
| EA1024PY | 36W | 12V | 0A | 3A | $\pm 5\%$ | $\pm 1\%$ | 250mV |
| EA1024QY | 24W | 12V | 0A | 2A | $\pm 5\%$ | $\pm 1\%$ | 250mV |
| EA1024RY | 36W | 24V | 0A | 1.5A | $\pm 5\%$ | $\pm 1\%$ | 350mV |

NOTE:

- 1 : Ripple & Noise is measured by using 20MHz bandwidth limited oscilloscope and terminated each output with a 0.1uF ceramic capacitor & parallel with 47uF aluminum capacitor at full load and nominal line.
- 2 : Line regulation is defined by changing $\pm 10\%$ of input voltage from nominal line at rated load.
- 3 : Max. Power (W) $\geq V_o \times I_o$

INPUT

- Input Range: 100 to 240 VAC
- Frequency: 50 to 60Hz
- Input Current: $\leq 1A$
- Inrush Current: $\leq 60A/230VAC$
- Hold Up Time: $\geq 8.3ms$
- Turn On Time: $\leq 3s$

PROTECTION

- Short Circuit Protection: Auto Recovery
- Over Voltage Protection: Latch-off
- Over Current Protection: Auto Recovery

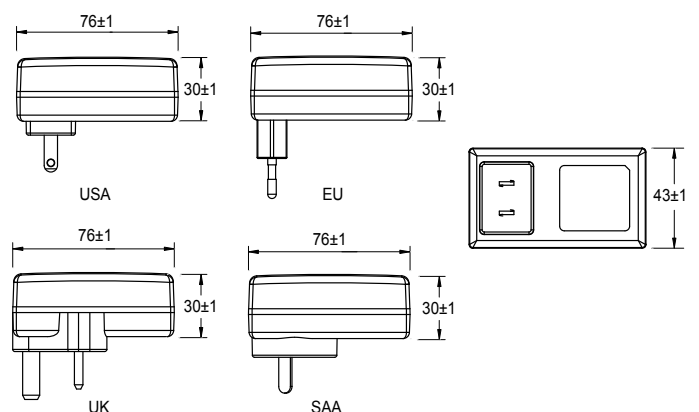
ENVIRONMENT

- Operating Temperature: -20 to 40°C
- Storage Temperature: -20 to 85°C
- Operating Humidity: 10% to 90%
- Storage Humidity: 5% to 95%

SAFETY

- Certified for whole series: UL 62368-1, CAN/CSA C22.2 No. 62368-1, TUV EN 62368-1, CB IEC 62368-1, FCC Part 15B, CE EMC(EN 55032+EN 55035), CCC, BSMI, UKCA
- Certified for assigned models: PSE, BIS, RCM, KC, CU, PSB, NRCAN, Argentina

MECHANICAL



- Case Size: 76L x 43W x 30H (mm)
- AC Plug: U: USA, E: EU, K: UK, A: SAA
- Weight: 200g

AC/DC Interchangeable Adaptor



Features

- LPS Compliance
- Protections:
 - Short circuit / Over voltage / Over current
- Energy Efficiency Level VI or CoC Tier II
- No Load Power Consumption $\leq 0.1W$ (VI), $\leq 0.075W$ (Tier II)
- MTBF > 100,000 hours

EA1024 X R - vv PP

- X:** Output range
- R:** Interchangeable AC plug:
 - U: USA • E: EU • K: UK • A: SAA • C: China
 - S: South Africa • B: Korea • I: India
- vv:** Specified output voltage, i.e. 12 is 12VDC
- PP:** DC plug type, i.e. Code 01 for 5.5x2.1mm or other options (refer to the appendix page)

General Specification

OUTPUT

| MODEL No. | MAX. OUTPUT POWER (W) | OUTPUT VOLTAGE (Vo) | MIN. LOAD (Io) | MAX. LOAD (Io) | LOAD REGULATION | LINE REGULATION | RIPPLE & NOISE |
|-----------|-----------------------|---------------------|----------------|----------------|-----------------|-----------------|----------------|
| EA1024AR | 16W | 5~8V | 0A | 2A | ± 5% | ± 1% | 100mV |
| EA1024BR | 20W | 5~8V | 0A | 3A | ± 5% | ± 1% | 100mV |
| EA1024CR | 24W | 5~8V | 0A | 4A | ± 5% | ± 1% | 100mV |
| EA1024DR | 18W | 9~11V | 0A | 1.5A | ± 5% | ± 1% | 250mV |
| EA1024ER | 24W | 9~11V | 0A | 2A | ± 5% | ± 1% | 250mV |
| EA1024FR | 27W | 9~11V | 0A | 3A | ± 5% | ± 1% | 250mV |
| EA1024GR | 20W | 12~17V | 0A | 1.66A | ± 5% | ± 1% | 250mV |
| EA1024HR | 30W | 12~17V | 0A | 2.5A | ± 5% | ± 1% | 250mV |
| EA1024JR | 24W | 18~24V | 0A | 1.33A | ± 5% | ± 1% | 350mV |
| EA1024KR | 30W | 18~24V | 0A | 1.66A | ± 5% | ± 1% | 350mV |
| EA1024MR | 20W | 36~48V | 0A | 0.55A | ± 5% | ± 1% | 480mV |
| EA1024NR | 30W | 36~48V | 0A | 0.83A | ± 5% | ± 1% | 480mV |
| EA1024PR | 36W | 12V | 0A | 3A | ± 5% | ± 1% | 250mV |
| EA1024QR | 24W | 12V | 0A | 2A | ± 5% | ± 1% | 250mV |
| EA1024RR | 36W | 24V | 0A | 1.5A | ± 5% | ± 1% | 350mV |

NOTE:

- 1 : Ripple & Noise is measured by using 20MHz bandwidth limited oscilloscope and terminated each output with a 0.1uF ceramic capacitor & parallel with 47uF aluminum capacitor at full load and nominal line.
- 2 : Line regulation is defined by changing $\pm 10\%$ of input voltage from nominal line at rated load.
- 3 : Max. Power (W) $\geq V_o \times I_o$

INPUT

- Input Range: 100 to 240 VAC
- Frequency: 50 to 60Hz
- Input Current: $\leq 1A$
- Inrush Current: $\leq 60A/230VAC$
- Hold Up Time: $\geq 8.3ms$
- Turn On Time: $\leq 3s$

PROTECTION

- Short Circuit Protection: Auto Recovery
- Over Voltage Protection: Latch-off
- Over Current Protection: Auto Recovery

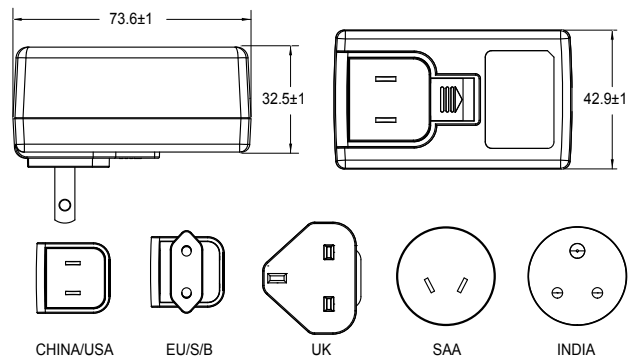
ENVIRONMENT

- Operating Temperature: -20 to 40°C
- Storage Temperature: -20 to 85°C
- Operating Humidity: 10% to 90%
- Storage Humidity: 5% to 95%

SAFETY

- Certified for whole series: UL 62368-1, CAN/CSA C22.2 No. 62368-1, TUV EN 62368-1, CB IEC 62368-1, FCC Part 15B, CE EMC(EN 55032+EN 55035), CCC, BSMI, UKCA
- Certified for assigned models: PSE, BIS, RCM, KC, CU, PSB, NRCAN, Argentina

MECHANICAL



- Case Size: 73.6L x 42.9W x 32.5H (mm)
- AC Plug: U: USA, E: EU, K: UK, A: SAA, C: China
S: South Africa, B: Korea, I: India
- Weight: 200g

AC/DC Wall Mount Adaptor



Features

- LPS Compliance
- Protections :
Short circuit / Over voltage / Over current
- Energy Efficiency Level VI or CoC Tier II
- No Load Power Consumption $\leq 0.1W$ (VI), $\leq 0.075W$ (Tier II)
- MTBF > 100,000 hours

EA1026 X Y Z T - vv PP

- X:** Output range
- Y:** Case type: (V)Vertical or (H)Horizontal
- Z:** AC plug type: • U: USA • E: EU • C: CHINA for (H)
AC plug type: • U: USA • E: EU • K: UK • A: SAA for (V)
- T:** Output type: S (SR)
- vv:** Specified output voltage, i.e. 12 is 12VDC
- PP:** DC plug type, i.e. Code 01 for 5.5x2.1mm or other options (refer to the appendix page)

General Specification

OUTPUT

| MODEL No. | MAX. OUTPUT POWER (W) | OUTPUT VOLTAGE (Vo) | MIN. LOAD (Io) | MAX. LOAD (Io) | LOAD REGULATION | LINE REGULATION | RIPPLE & NOISE |
|------------|-----------------------|---------------------|----------------|----------------|-----------------|-----------------|----------------|
| EA1026AYZS | 18W | 5V | 0A | 3.6A | $\pm 5\%$ | $\pm 3\%$ | 100mV |
| EA1026BYZS | 24W | 9V | 0A | 2.66A | $\pm 5\%$ | $\pm 3\%$ | 180mV |
| EA1026CZS | 24W | 12V | 0A | 2A | $\pm 5\%$ | $\pm 3\%$ | 250mV |
| EA1026DZS | 24W | 24V | 0A | 1A | $\pm 5\%$ | $\pm 3\%$ | 350mV |

NOTE:

- 1 : Ripple & Noise is measured by using 20MHz bandwidth limited oscilloscope and terminated each output with a 0.1uF ceramic capacitor & parallel with 47uF aluminum capacitor at full load and nominal line.
- 2 : Line regulation is defined by changing $\pm 10\%$ of input voltage from nominal line at rated load.
- 3 : Max. Power (W) $\geq V_o \times I_o$

INPUT

- Input Range: 100 to 240 VAC
- Frequency: 50 to 60Hz
- Input Current: $\leq 0.8A$
- Inrush Current: $\leq 60A/230VAC$
- Hold Up Time: $\geq 8.3ms$
- Turn On Time: $\leq 5s$

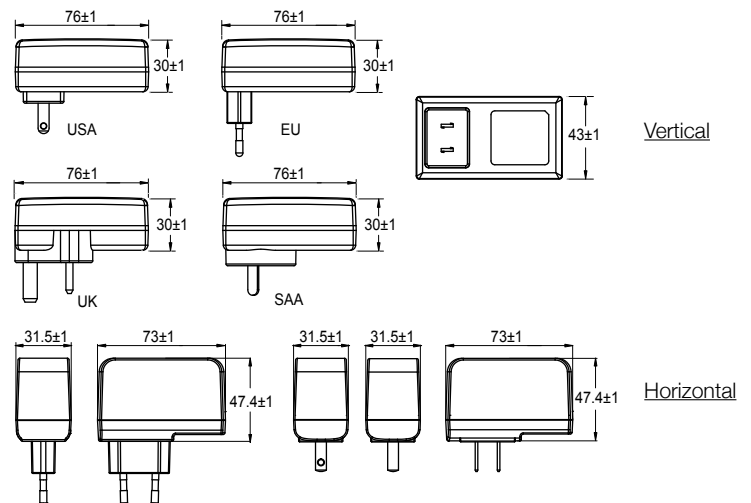
PROTECTION

- Short Circuit Protection: Auto Recovery
- Over Voltage Protection: Auto Recovery
- Over Current Protection: Auto Recovery

ENVIRONMENT

- Operating Temperature: -20 to 40°C
- Storage Temperature: -20 to 85°C
- Operating Humidity: 10% to 90 %
- Storage Humidity: 5% to 95 %

MECHANICAL



- Case Size: Vertical: 76L x 43W x 30H (mm)
Horizontal: 73L x 47.4W x 31.5H (mm)
- AC Plug: U: USA, E: EU, K: UK, A: SAA (Vertical)
U: USA, E: EU C: China (Horizontal)
- Weight: 200g

SAFETY

- Certified for whole series: UL 62368-1, CAN/CSA C22.2 No. 62368-1, TUV EN 62368-1, CB IEC 62368-1, FCC Part 15B, CE EMC(EN 55032+EN 55035), UKCA

AC/DC Interchangeable Adaptor



Features

- LPS Compliance
- Protections:
Short circuit / Over voltage / Over current
- Energy Efficiency Level VI or CoC Tier II
- No Load Power Consumption $\leq 0.1W$ (VI), $\leq 0.075W$ (Tier II)
- MTBF > 100,000 hours

EA1026 X Y R T - vv PP

- X:** Output range
Y: Case type: (V) Vertical
R: Interchangeable AC plug:
 • U: USA • E: EU • K: UK • A: SAA • C: China
 • S: South Africa • B: Korea • I: India
T: Output type: S (SR)
vv: Specified output voltage, i.e. 12 is 12VDC
PP: DC plug type, i.e. Code 01 for 5.5x2.1mm or other options (refer to the appendix page)

General Specification

OUTPUT

| MODEL No. | MAX. OUTPUT POWER (W) | OUTPUT VOLTAGE (Vo) | MIN. LOAD (Io) | MAX. LOAD (Io) | LOAD REGULATION | LINE REGULATION | RIPPLE & NOISE |
|------------|-----------------------|---------------------|----------------|----------------|-----------------|-----------------|----------------|
| EA1026AVRS | 18W | 5V | 0A | 3.6A | $\pm 5\%$ | $\pm 3\%$ | 100mV |
| EA1026BVRS | 24W | 9V | 0A | 2.66A | $\pm 5\%$ | $\pm 3\%$ | 180mV |
| EA1026CVRS | 24W | 12V | 0A | 2A | $\pm 5\%$ | $\pm 3\%$ | 250mV |
| EA1026DVRS | 24W | 24V | 0A | 1A | $\pm 5\%$ | $\pm 3\%$ | 350mV |

NOTE:

- 1 : Ripple & Noise is measured by using 20MHz bandwidth limited oscilloscope and terminated each output with a 0.1uF ceramic capacitor & parallel with 47uF aluminum capacitor at full load and nominal line.
- 2 : Line regulation is defined by changing $\pm 10\%$ of input voltage from nominal line at rated load.
- 3 : Max. Power (W) $\geq V_o \times I_o$

INPUT

- Input Range: 100 to 240 VAC
- Frequency: 50 to 60Hz
- Input Current: $\leq 0.8A$
- Inrush Current: $\leq 60A/230VAC$
- Hold Up Time: $\geq 8.3ms$
- Turn On Time: $\leq 5s$

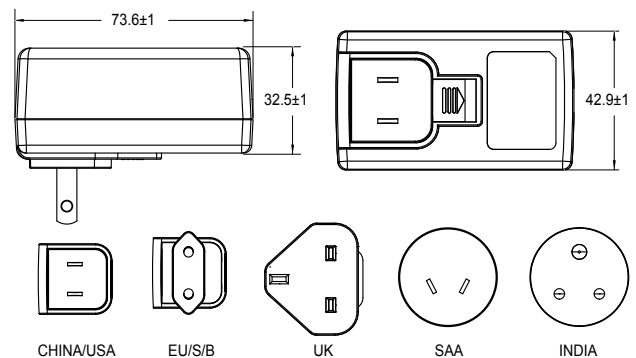
PROTECTION

- Short Circuit Protection: Auto Recovery
- Over Voltage Protection: Auto Recovery
- Over Current Protection: Auto Recovery

ENVIRONMENT

- Operating Temperature: -20 to 40°C
- Storage Temperature: -20 to 85°C
- Operating Humidity: 10% to 90%
- Storage Humidity: 5% to 95%

MECHANICAL



- Case Size: 73.6L x 42.9W x 32.5H (mm)
- AC Plug: U: USA, E: EU, K: UK, A: SAA, C: China
S: South Africa, B: Korea, I: India
- Weight: 200g

SAFETY

- Certified for whole series: UL 62368-1, CAN/CSA C22.2 No. 62368-1, TUV EN 62368-1, CB IEC 62368-1, FCC Part 15B, CE EMC(EN 55032+EN 55035), UKCA

AC/DC Desktop Adaptor



Features

- LED Indicator (optional)
- LPS Compliance
- Protections :
Short circuit / Over voltage / Over current
Over temperature (optional)
- Energy Efficiency Level VI or CoC Tier II
- No Load Power Consumption $\leq 0.1W$ (VI), $\leq 0.075W$ (Tier II)
- MTBF > 100,000 hours

EA1041 X Y - vv PP

- X:** AC inlet: 1. C14 2. C8 3. C6 6. C18
Y: Output range
vv: Specified output voltage, i.e. 12 is 12VDC
PP: DC plug type, i.e. Code 01 for 5.5x2.1mm or other options (refer to the appendix page)

General Specification

OUTPUT

| MODEL No. | MAX. OUTPUT POWER (W) | OUTPUT VOLTAGE (Vo) | MIN. LOAD (Io) | MAX. LOAD (Io) | LOAD REGULATION | LINE REGULATION | RIPPLE & NOISE |
|-----------|-----------------------|---------------------|----------------|----------------|-----------------|-----------------|----------------|
| EA1041XA | 25W | 5~9V | 0A | 5A | $\pm 5\%$ | $\pm 1\%$ | 180mV |
| EA1041XB | 36W | 9V | 0A | 4A | $\pm 5\%$ | $\pm 1\%$ | 180mV |
| EA1041XC | 35W | 12~16V | 0A | 2.91A | $\pm 5\%$ | $\pm 1\%$ | 240mV |
| EA1041XD | 40W | 12~16V | 0A | 3.33A | $\pm 5\%$ | $\pm 1\%$ | 240mV |
| EA1041XE | 45W | 12~16V | 0A | 3.75A | $\pm 5\%$ | $\pm 1\%$ | 240mV |
| EA1041XF | 35W | 18~24V | 0A | 1.94A | $\pm 5\%$ | $\pm 1\%$ | 360mV |
| EA1041XG | 40W | 18~24V | 0A | 2.22A | $\pm 5\%$ | $\pm 1\%$ | 360mV |
| EA1041XH | 45W | 18~24V | 0A | 2.5A | $\pm 5\%$ | $\pm 1\%$ | 360mV |
| EA1041XJ | 40W | 32~42V | 0A | 1.25A | $\pm 5\%$ | $\pm 1\%$ | 480mV |
| EA1041XK | 48W | 32~42V | 0A | 1.5A | $\pm 5\%$ | $\pm 1\%$ | 480mV |
| EA1041XM | 40W | 44~56V | 0A | 0.9A | $\pm 5\%$ | $\pm 1\%$ | 660mV |
| EA1041XN | 48W | 44~56V | 0A | 1.09A | $\pm 5\%$ | $\pm 1\%$ | 660mV |

NOTE:

- 1 : Ripple & Noise is measured by using 20MHz bandwidth limited oscilloscope and terminated each output with a 0.1uF ceramic capacitor & parallel with 47uF aluminum capacitor at full load and nominal line.
- 2 : Line regulation is defined by changing $\pm 10\%$ of input voltage from nominal line at rated load.
- 3 : Max. Power (W) $\geq V_o \times I_o$

INPUT

- Input Range 100 to 240 VAC
- Frequency 50 to 60Hz
- Input Current $\leq 1.5A$
- Inrush Current $\leq 120A/230VAC$
- Hold Up Time $\geq 8.3ms$
- Turn On Time $\leq 3s$

PROTECTION

- Short Circuit Protection Auto Recovery
- Over Voltage Protection Auto Recovery
- Over Current Protection Auto Recovery
- Over Temperature Protection Optional

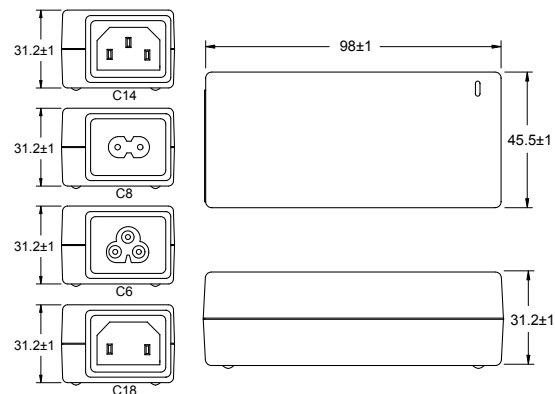
ENVIRONMENT

- Operating Temperature -20 to 40°C
- Storage Temperature -20 to 85°C
- Operating Humidity 10% to 90%
- Storage Humidity 5% to 95%

SAFETY

- Certified for whole series: UL 62368-1, CAN/CSA C22.2 No. 62368-1, TUV EN 62368-1, CB IEC 62368-1, FCC Part 15B, CE EMC(EN 55032+EN 55035), UKCA

MECHANICAL



- Case Size: 98L x 45.5W x 31.2H (mm)
- AC Inlet: C14, C8, C6, C18
- Weight: 200g

AC/DC Desktop Adaptor



Features

- Slim Size
- LED Indicator (optional)
- LPS Compliance
- Protections:
 - Short circuit / Over voltage / Over current
 - Over temperature
- Energy Efficiency Level VI or CoC Tier II
- No Load Power Consumption $\leq 0.1W$ (VI), $\leq 0.075W$ (Tier II)
- MTBF > 100,000 hours

EA1044 X Y - vv PP

- X:** AC inlet: 2. C8 3. C6
Y: Output range
vv: Specified output voltage, i.e. 12 is 12VDC
PP: DC plug type, i.e. Code 01 for 5.5x2.1mm or other options (refer to the appendix page)

General Specification

OUTPUT

| MODEL No. | MAX. OUTPUT POWER (W) | OUTPUT VOLTAGE (Vo) | MIN. LOAD (Io) | MAX. LOAD (Io) | LOAD REGULATION | LINE REGULATION | RIPPLE & NOISE |
|-----------|-----------------------|---------------------|----------------|----------------|-----------------|-----------------|----------------|
| EA1044XA | 25W | 5~9V | 0A | 5A | $\pm 5\%$ | $\pm 1\%$ | 130mV |
| EA1044XB | 36W | 9V | 0A | 4A | $\pm 5\%$ | $\pm 1\%$ | 130mV |
| EA1044XC | 45W | 12~16V | 0A | 3.75A | $\pm 5\%$ | $\pm 1\%$ | 180mV |
| EA1044XD | 40W | 12~16V | 0A | 3.33A | $\pm 5\%$ | $\pm 1\%$ | 180mV |
| EA1044XE | 35W | 12~16V | 0A | 2.91A | $\pm 5\%$ | $\pm 1\%$ | 180mV |
| EA1044XF | 45W | 18~24V | 0A | 2.5A | $\pm 5\%$ | $\pm 1\%$ | 250mV |
| EA1044XG | 40W | 18~24V | 0A | 2.22A | $\pm 5\%$ | $\pm 1\%$ | 250mV |
| EA1044XH | 35W | 18~24V | 0A | 1.94A | $\pm 5\%$ | $\pm 1\%$ | 250mV |
| EA1044XJ | 48W | 32~42V | 0A | 1.5A | $\pm 5\%$ | $\pm 1\%$ | 350mV |
| EA1044XK | 40W | 32~42V | 0A | 1.25A | $\pm 5\%$ | $\pm 1\%$ | 350mV |
| EA1044XM | 48W | 44~48V | 0A | 1.09A | $\pm 5\%$ | $\pm 1\%$ | 480mV |
| EA1044XN | 40W | 44~48V | 0A | 0.9A | $\pm 5\%$ | $\pm 1\%$ | 480mV |

NOTE:

- 1 : Ripple & Noise is measured by using 20MHz bandwidth limited oscilloscope and terminated each output with a 0.1uF ceramic capacitor & parallel with 47uF aluminum capacitor at full load and nominal line.
- 2 : Line regulation is defined by changing $\pm 10\%$ of input voltage from nominal line at rated load.
- 3 : Max. Power (W) $\geq V_o \times I_o$

INPUT

- Input Range 100 to 240 VAC
- Frequency 50 to 60Hz
- Input Current $\leq 1A$
- Inrush Current $\leq 120A/230VAC$
- Hold Up Time $\geq 8.3ms$
- Turn On Time $\leq 3s$

PROTECTION

- Short Circuit Protection Auto Recovery
- Over Voltage Protection Latch-off
- Over Current Protection Auto Recovery
- Over Temperature Protection Latch-off

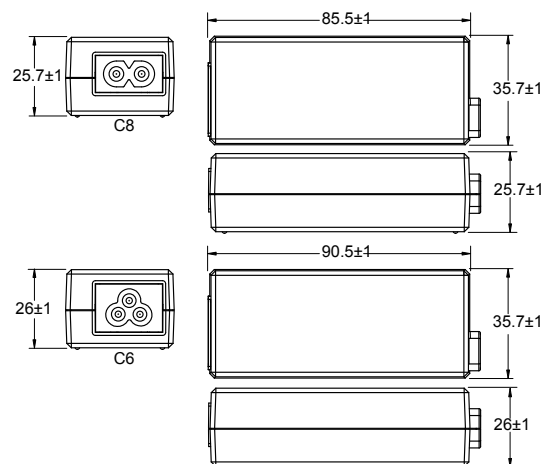
ENVIRONMENT

- Operating Temperature -20 to 40°C
- Storage Temperature -20 to 85°C
- Operating Humidity 10% to 90%
- Storage Humidity 5% to 95%

SAFETY

- Certified for whole series: UL 62368-1, CAN/CSA C22.2 No. 62368-1, TUV EN 62368-1, CB IEC 62368-1, FCC Part 15B, CE EMC(EN 55032+EN 55035), CCC, UKCA
- Certified for assigned models: BSMI, BIS, RCM, KC, CU, PSB, Argentina

MECHANICAL



- Case Size: 85.5L x 35.7W x 25.7H (mm) for AC inlet C8
90.5L x 35.7W x 26.0H (mm) for AC inlet C6
- AC Inlet: C8, C6
- Weight: 160g

AC/DC Interchangeable Adaptor



Features

- LED Indicator
- Protections:
 - Short circuit / Over voltage / Over current
 - Over temperature (optional)
- Energy Efficiency Level VI or CoC Tier II
- No Load Power Consumption $\leq 0.1W$ (VI), $\leq 0.075W$ (Tier II)
- MTBF > 100,000 hours

EA1045S X R - vv PP

- X:** Output range
R: Interchangeable AC plug:
 • U: USA • E: EU • K: UK • A: SAA • C: China
 • S: South Africa • B: Korea • I: India
vv: Specified output voltage, i.e. 12 is 12VDC
PP: DC plug type, i.e. Code 01 for 5.5x2.1mm or other options (refer to the appendix page)

General Specification

OUTPUT

| MODEL No. | MAX. OUTPUT POWER (W) | OUTPUT VOLTAGE (Vo) | MIN. LOAD (Io) | MAX. LOAD (Io) | LOAD REGULATION | LINE REGULATION | RIPPLE & NOISE |
|-----------|-----------------------|---------------------|----------------|----------------|-----------------|-----------------|----------------|
| EA1045SDR | 36W | 5~9V | 0A | 5A | $\pm 5\%$ | $\pm 1\%$ | 100mV |
| EA1045SER | 45W | 10~17V | 0A | 3.5A | $\pm 5\%$ | $\pm 1\%$ | 240mV |
| EA1045SFR | 45W | 18~26V | 0A | 2.5A | $\pm 5\%$ | $\pm 1\%$ | 360mV |
| EA1045SGR | 45W | 27~40V | 0A | 1.66A | $\pm 5\%$ | $\pm 1\%$ | 560mV |
| EA1045SHR | 48W | 41~56V | 0A | 1.17A | $\pm 5\%$ | $\pm 1\%$ | 640mV |

NOTE:

- 1 : Ripple & Noise is measured by using 20MHz bandwidth limited oscilloscope and terminated each output with a 0.1uF ceramic capacitor & parallel with 47uF aluminum capacitor at full load and nominal line.
- 2 : Line regulation is defined by changing $\pm 10\%$ of input voltage from nominal line at rated load.
- 3 : Max. Power (W) $\geq V_o \times I_o$

INPUT

- Input Range: 100 to 240 VAC
- Frequency: 50 to 60Hz
- Input Current: $\leq 1.5A$
- Inrush Current: $\leq 100A/230VAC$
- Hold Up Time: $\geq 8.3ms$
- Turn On Time: $\leq 3s$

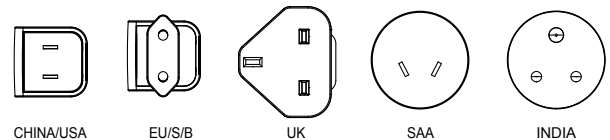
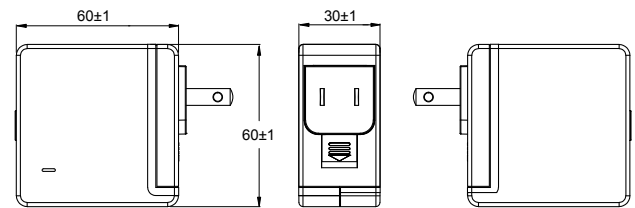
PROTECTION

- Short Circuit Protection: Auto Recovery
- Over Voltage Protection: Auto Recovery
- Over Current Protection: Auto Recovery
- Over Temperature Protection: Auto Recovery or Latch-off (optional)

ENVIRONMENT

- Operating Temperature: -20 to 40°C
- Storage Temperature: -20 to 85°C
- Operating Humidity: 10% to 90%
- Storage Humidity: 5% to 95%

MECHANICAL



- Case Size: 60L x 60W x 30H (mm)
- AC Plug: U: USA, E: EU, K: UK, A: SAA, C: China
S: South Africa, B: Korea, I: India
- Weight: 190g

SAFETY

- Certified for whole series: UL 62368-1, CAN/CSA C22.2 No. 62368-1, TUV EN 62368-1, CB IEC 62368-1, FCC Part 15B, CE EMC(EN 55032+EN 55035), CCC, BSMI, UKCA
- Certified for assigned models: PSE, BIS, CU, PSB

AC/DC Interchangeable Adaptor



Features

- LED Indicator
- LPS Compliance
- Protections:
 - Short circuit / Over voltage / Over current
 - Over temperature (optional)
- Energy Efficiency Level VI
- No Load Power Consumption $\leq 0.21W$
- MTBF >100,000 hours

EA1062S X R - vv PP

- X:** Output range
R: Interchangeable AC plug:
 - U: USA • E: EU • K: UK • A: SAA • C: China
 - S: South Africa • B: Korea • I: India
- vv:** Specified output voltage, i.e. 24 is 24VDC
PP: DC plug type, i.e. Code 01 for 5.5x2.1mm or other options (refer to the appendix page)

General Specification

OUTPUT

| MODEL No. | MAX. OUTPUT POWER (W) | OUTPUT VOLTAGE (Vo) | MIN. LOAD (Io) | MAX. LOAD (Io) | LOAD REGULATION | LINE REGULATION | RIPPLE & NOISE |
|-----------|-----------------------|---------------------|----------------|----------------|-----------------|-----------------|----------------|
| EA1062SCR | 65W | 18~24V | 0A | 3.61A | $\pm 5\%$ | $\pm 1\%$ | 360mV |
| EA1062SDR | 60W | 18~24V | 0A | 3.33A | $\pm 5\%$ | $\pm 1\%$ | 360mV |
| EA1062SGR | 65W | 48~56V | 0A | 1.35A | $\pm 5\%$ | $\pm 1\%$ | 840mV |

NOTE:

- 1 : Ripple & Noise is measured by using 20MHz bandwidth limited oscilloscope and terminated each output with a 0.1uF ceramic capacitor & parallel with 47uF aluminum capacitor at full load and nominal line.
- 2 : Line regulation is defined by changing $\pm 10\%$ of input voltage from nominal line at rated load.
- 3 : Max. Power (W) $\geq V_o \times I_o$

INPUT

- Input Range: 100 to 240 VAC
- Frequency: 50 to 60Hz
- Input Current: $\leq 2.5A$
- Inrush Current: $\leq 100A/230VAC$
- Hold Up Time: $\geq 8.3ms$
- Turn On Time: $\leq 3s$

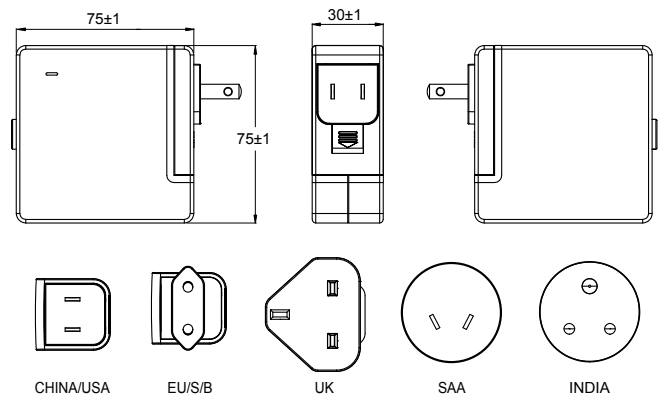
PROTECTION

- Short Circuit Protection: Auto Recovery
- Over Voltage Protection: Auto Recovery
- Over Current Protection: Auto Recovery
- Over Temperature Protection: Optional

ENVIRONMENT

- Operating Temperature: -20 to 40°C
- Storage Temperature: -20 to 85°C
- Operating Humidity: 10% to 90%
- Storage Humidity: 5% to 95%

MECHANICAL



- Case Size: 75 x 75 x 30H (mm)
- AC Plug: U: USA, E: EU, K: UK, A: SAA, C: China
S: South Africa, B: Korea, I: India
- Weight: 300g

SAFETY

- Certified for whole series: UL 62368-1, CAN/CSA C22.2 No. 62368-1, TUV EN 62368-1, CB IEC 62368-1, FCC Part 15B, CE EMC(EN 55032+EN 55035), CCC, UKCA
- Certified for assigned models: KC

AC/DC Desktop Adaptor



Features

- LED Indicator
- LPS Compliance
- Protections:
 - Short circuit / Over voltage / Over current
 - Over temperature (optional)
- Energy Efficiency Level VI or CoC Tier II
- No Load Power Consumption
 - Less than 50W: $\leq 0.1W$ (VI), $\leq 0.075W$ (Tier II)
 - More than (includes) 50W: $\leq 0.21W$ (VI), $\leq 0.15W$ (Tier II)
- MTBF > 100,000 hours

EA1068 X Y - vv PP

- X:** AC inlet: 1. C14 2. C8 3. C6 6. C18
Y: Output range
vv: Specified output voltage, i.e. 12 is 12VDC
PP: DC plug type, i.e. Code 01 for 5.5x2.1mm or other options (refer to the appendix page)

General Specification

OUTPUT

| MODEL No. | MAX. OUTPUT POWER (W) | OUTPUT VOLTAGE (Vo) | MIN. LOAD (Io) | MAX. LOAD (Io) | LOAD REGULATION | LINE REGULATION | RIPPLE & NOISE |
|-----------|-----------------------|---------------------|----------------|----------------|-----------------|-----------------|----------------|
| EA1068XA | 25W | 5~9V | 0A | 5A | ± 5% | ± 1% | 180mV |
| EA1068XB | 40W | 12~16V | 0A | 3.33A | ± 5% | ± 1% | 240mV |
| EA1068XC | 40W | 18~24V | 0A | 2.1A | ± 5% | ± 1% | 360mV |
| EA1068XD | 40W | 32~42V | 0A | 1.25A | ± 5% | ± 1% | 630mV |
| EA1068XE | 40W | 44~56V | 0A | 0.9A | ± 5% | ± 1% | 840mV |
| EA1068XF | 30W | 5~9V | 0A | 6A | ± 5% | ± 1% | 180mV |
| EA1068XG | 50W | 12~16V | 0A | 4.16A | ± 5% | ± 1% | 240mV |
| EA1068XH | 50W | 18~24V | 0A | 2.63A | ± 5% | ± 1% | 360mV |
| EA1068XJ | 50W | 32~42V | 0A | 1.56A | ± 5% | ± 1% | 630mV |
| EA1068XK | 50W | 44~56V | 0A | 1.13A | ± 5% | ± 1% | 840mV |
| EA1068XW | 40W | 5~9V | 0A | 8A | ± 5% | ± 1% | 180mV |
| EA1068XM | 35W | 5~9V | 0A | 7A | ± 5% | ± 1% | 180mV |
| EA1068XN | 60W | 12~16V | 0A | 5A | ± 5% | ± 1% | 240mV |
| EA1068XP | 60W | 18~24V | 0A | 3.15A | ± 5% | ± 1% | 360mV |
| EA1068XQ | 60W | 32~42V | 0A | 1.87A | ± 5% | ± 1% | 630mV |
| EA1068XR | 60W | 44~56V | 0A | 1.36A | ± 5% | ± 1% | 840mV |
| EA1068XY | 65W | 12~16V | 0A | 5.42A | ± 5% | ± 1% | 240mV |
| EA1068XS | 45W | 5~9V | 0A | 9A | ± 5% | ± 1% | 180mV |
| EA1068XU | 72W | 12~16V | 0A | 6A | ± 5% | ± 1% | 240mV |
| EA1068XV | 72W | 18~24V | 0A | 3.78A | ± 5% | ± 1% | 360mV |
| EA1068XL | 72W | 32~42V | 0A | 2.25A | ± 5% | ± 1% | 630mV |
| EA1068XT | 72W | 44~56V | 0A | 1.63A | ± 5% | ± 1% | 840mV |

NOTE:

- 1 : Ripple & Noise is measured by using 20MHz bandwidth limited oscilloscope and terminated each output with a 0.1uF ceramic capacitor & parallel with 47uF aluminum capacitor at full load and nominal line.
- 2 : Line regulation is defined by changing $\pm 10\%$ of input voltage from nominal line at rated load.
- 3 : Max. Power (W) $\geq V_o \times I_o$

INPUT

- Input Range: 100 to 240 VAC
- Frequency: 50 to 60Hz
- Input Current: $\leq 2A$
- Inrush Current: $\leq 120A/230VAC$
- Hold Up Time: $\geq 8.3ms$
- Turn On Time: $\leq 3s$

PROTECTION

- Short Circuit Protection: Auto Recovery
- Over Voltage Protection: Latch-off / Auto Recovery
- Over Current Protection: Auto Recovery
- Over Temperature Protection: Optional

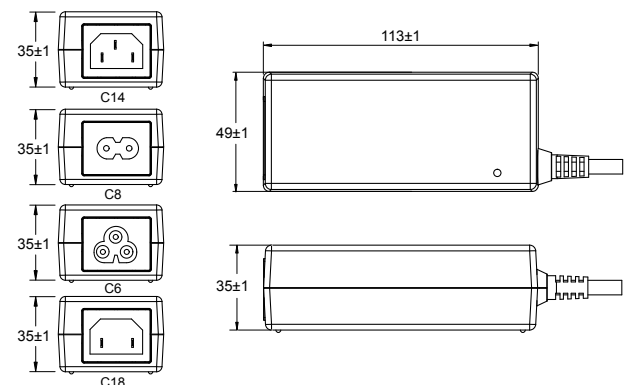
ENVIRONMENT

- Operating Temperature: -20 to 40°C
- Storage Temperature: -20 to 85°C
- Operating Humidity: 10% to 90%
- Storage Humidity: 5% to 95%

SAFETY

- Certified for whole series: UL 62368-1, CAN/CSA C22.2 No. 62368-1, TUV EN 62368-1, CB IEC 62368-1, FCC Part 15B, CE EMC(EN 55032+EN 55035), CCC, UKCA, Argentina
- Certified for assigned models: BSMI, PSE, BIS, RCM, KC, CU, PSB, NRCAN, Argentina

MECHANICAL



- Case Size: 113L x 49W x 35H (mm)
- AC Inlet: C14, C8, C6, C18
- Weight: 300g

AC/DC Desktop Adaptor



Features

- Slim Size
- LPS Compliance
- Protections:
 - Short circuit / Over voltage / Over current
 - Over temperature (optional)
- Energy Efficiency Level VI or CoC Tier II
- No Load Power Consumption
 - Less than 50W : $\leq 0.1W(VI)$, $\leq 0.075W$ (Tier II)
 - More than (includes) 50W: $\leq 0.21W(VI)$, $\leq 0.15W$ (Tier II)
- MTBF > 100,000 hours

EA1073 X Y - vv PP

- X:** AC inlet: 1. C14 2. C8 3. C6 6. C18
Y: Output range
vv: Specified output voltage, i.e. 12 is 12VDC
PP: DC plug type, i.e. Code 01 for 5.5x2.1mm or other options (refer to the appendix page)

General Specification

OUTPUT

| MODEL No. | MAX. OUTPUT POWER (W) | OUTPUT VOLTAGE (Vo) | MIN. LOAD (Io) | MAX. LOAD (Io) | LOAD REGULATION | LINE REGULATION | RIPPLE & NOISE |
|-----------|-----------------------|---------------------|----------------|----------------|-----------------|-----------------|----------------|
| EA1073XA | 40W | 12~18V | 0A | 3.33A | ± 5% | ± 1% | 240mV |
| EA1073XB | 40W | 19~24V | 0A | 2.1A | ± 5% | ± 1% | 360mV |
| EA1073XC | 40W | 32~42V | 0A | 1.25A | ± 5% | ± 1% | 630mV |
| EA1073XD | 40W | 44~56V | 0A | 0.9A | ± 5% | ± 1% | 840mV |
| EA1073XE | 50W | 12~18V | 0A | 4.16A | ± 5% | ± 1% | 240mV |
| EA1073XF | 50W | 19~24V | 0A | 2.63A | ± 5% | ± 1% | 360mV |
| EA1073XG | 50W | 32~42V | 0A | 1.56A | ± 5% | ± 1% | 630mV |
| EA1073XH | 50W | 44~56V | 0A | 1.13A | ± 5% | ± 1% | 840mV |
| EA1073XJ | 60W | 12~18V | 0A | 5A | ± 5% | ± 1% | 240mV |
| EA1073XK | 60W | 19~24V | 0A | 3.15A | ± 5% | ± 1% | 360mV |
| EA1073XL | 60W | 32~42V | 0A | 1.87A | ± 5% | ± 1% | 630mV |
| EA1073XM | 60W | 44~56V | 0A | 1.36A | ± 5% | ± 1% | 840mV |
| EA1073XN | 65W | 12~18V | 0A | 5.41A | ± 5% | ± 1% | 240mV |
| EA1073XP | 65W | 19~24V | 0A | 3.42A | ± 5% | ± 1% | 360mV |
| EA1073XQ | 65W | 32~42V | 0A | 2.03A | ± 5% | ± 1% | 630mV |
| EA1073XR | 65W | 44~56V | 0A | 1.47A | ± 5% | ± 1% | 840mV |

NOTE:

- 1 : Ripple & Noise is measured by using 20MHz bandwidth limited oscilloscope and terminated each output with a 0.1uF ceramic capacitor & parallel with 47uF aluminum capacitor at full load and nominal line.
- 2 : Line regulation is defined by changing $\pm 10\%$ of input voltage from nominal line at rated load.
- 3 : Max. Power (W) $\geq V_o \times I_o$

INPUT

- Input Range: 100 to 240 VAC
- Frequency: 50 to 60Hz
- Input Current: $\leq 2A$
- Inrush Current: $\leq 120A/230VAC$
- Hold Up Time: $\geq 8.3ms$
- Turn On Time: $\leq 3s$

PROTECTION

- Short Circuit Protection: Auto Recovery
- Over Voltage Protection: Auto Recovery
- Over Current Protection: Auto Recovery
- Over Temperature Protection: Latch-off (optional)

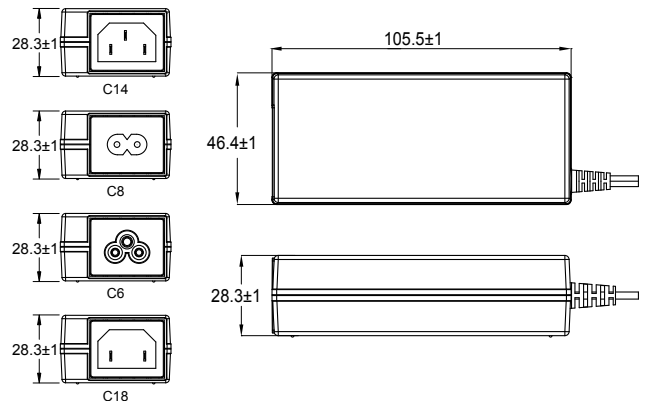
ENVIRONMENT

- Operating Temperature: -20 to 40°C
- Storage Temperature: -20 to 85°C
- Operating Humidity: 10% to 90%
- Storage Humidity: 5% to 95%

SAFETY

- Certified for whole series: UL 62368-1, CAN/CSA C22.2 No. 62368-1, TUV EN 62368-1, CB IEC 62368-1, FCC Part 15B, CE EMC(EN 55032+EN 55035), CCC, UKCA
- Certified for assigned models: BSMI, PSE, BIS, RCM, KC, PSB, NRCAN

MECHANICAL



- Case Size: 105.5L x 46.4W x 28.3H (mm)
- AC Inlet: C14, C8, C6, C18
- Weight: 300g

AC/DC Interchangeable Adaptor



Features

- LED Indicator
- Active PFC Function
- Protections:
 - Short circuit / Over voltage / Over current
 - Over temperature (optional)
- Energy Efficiency Level VI or CoC Tier II
- No Load Power Consumption $\leq 0.21W$ (VI), $\leq 0.15W$ (Tier II)
- MTBF > 100,000 hours

EA1091S X R - vv PP

- X:** Output range
R: Interchangeable AC plug:
 • U: USA • E: EU • K: UK • A: SAA • C: China
 • S: South Africa • B: Korea • I: India
vv: Specified output voltage, i.e. 12 is 12VDC
PP: DC plug type, i.e. Code 01 for 5.5x2.1mm or other options (refer to the appendix page)

General Specification

OUTPUT

| MODEL No. | MAX. OUTPUT POWER (W) | OUTPUT VOLTAGE (Vo) | MIN. LOAD (Io) | MAX. LOAD (Io) | LOAD REGULATION | LINE REGULATION | RIPPLE & NOISE |
|-----------|-----------------------|---------------------|----------------|----------------|-----------------|-----------------|----------------|
| EA1091SAR | 80W | 12~17V | 0A | 6.66A | ± 5% | ± 1% | 270mV |
| EA1091SBR | 80W | 18~24V | 0A | 4.44A | ± 5% | ± 1% | 350mV |
| EA1091SCR | 80W | 25~32V | 0A | 3.2A | ± 5% | ± 1% | 450mV |
| EA1091SDR | 80W | 33~43V | 0A | 2.42A | ± 5% | ± 1% | 650mV |
| EA1091SER | 80W | 44~56V | 0A | 1.81A | ± 5% | ± 1% | 750mV |
| EA1091SFR | 90W | 12~17V | 0A | 7.5A | ± 5% | ± 1% | 270mV |
| EA1091SGR | 90W | 18~24V | 0A | 5A | ± 5% | ± 1% | 350mV |
| EA1091SHR | 90W | 25~32V | 0A | 3.6A | ± 5% | ± 1% | 450mV |
| EA1091SJR | 90W | 33~43V | 0A | 2.72A | ± 5% | ± 1% | 650mV |
| EA1091SKR | 90W | 44~56V | 0A | 2.04A | ± 5% | ± 1% | 750mV |
| EA1091SMR | 100W | 25~32V | 0A | 3.33A | ± 5% | ± 1% | 450mV |
| EA1091SNR | 100W | 33~43V | 0A | 3.03A | ± 5% | ± 1% | 650mV |
| EA1091SQR | 100W | 44~56V | 0A | 2.27A | ± 5% | ± 1% | 750mV |
| EA1091SPR | 100W | 24V | 0A | 4.16A | ± 5% | ± 1% | 360mV |

NOTE:

- 1 : Ripple & Noise is measured by using 20MHz bandwidth limited oscilloscope and terminated each output with a 0.1uF ceramic capacitor & parallel with 47uF aluminum capacitor at full load and nominal line.
- 2 : Line regulation is defined by changing $\pm 10\%$ of input voltage from nominal line at rated load.
- 3 : Max. Power (W) $\geq V_o \times I_o$

INPUT

- Input Range: 100 to 240 VAC
- Frequency: 50 to 60Hz
- Input Current: $\leq 2A$
- Inrush Current: $\leq 160A/230VAC$
- Hold Up Time: $\geq 8.3ms$
- Turn On Time: $\leq 3s$

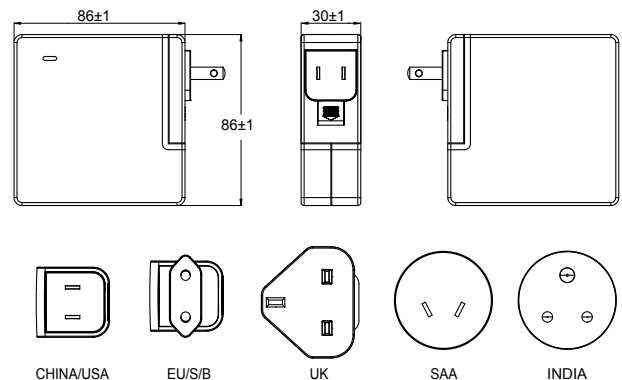
PROTECTION

- Short Circuit Protection: Auto Recovery
- Over Voltage Protection: Auto Recovery
- Over Current Protection: Auto Recovery
- Over Temperature Protection: Auto Recovery

ENVIRONMENT

- Operating Temperature: -20 to 40°C
- Storage Temperature: -20 to 85°C
- Operating Humidity: 10% to 90%
- Storage Humidity: 5% to 95%

MECHANICAL



- Case Size: 86L x 86W x 30H (mm)
- AC Plug: U: USA, E: EU, K: UK, A: SAA, C: China
S: South Africa, B: Korea, I: India
- Weight: 400g

SAFETY

- Complied with UL/cUL 62368-1, TUV EN 62368-1, CB IEC 62368-1, FCC, CE

AC/DC Desktop Adaptor

ITE / ICT Switching Power Supply



Features

- Slim Size
- LED Indicator
- LPS Compliance
- Active PFC Function
- Protections:
 - Short circuit / Over voltage / Over current
 - Over temperature (optional)
- Energy Efficiency Level VI, CoC Tier II
- No Load Power Consumption $\leq 0.21W$ (VI), $\leq 0.15W$ (Tier II)
- MTBF > 100,000 hours

EA1093 X Y - vv PP

X: AC inlet: 1. C14 2. C8 3. C6 6. C18

Y: Output range

vv: Specified output voltage, i.e. 12 is 12VDC

PP: DC plug type, i.e. Code 01 for 5.5x2.1mm or other options (refer to the appendix page)

General Specification

OUTPUT

| MODEL No. | MAX. OUTPUT POWER (W) | OUTPUT VOLTAGE (Vo) | MIN. LOAD (Io) | MAX. LOAD (Io) | LOAD REGULATION | LINE REGULATION | RIPPLE & NOISE |
|-----------|-----------------------|---------------------|----------------|----------------|-----------------|-----------------|----------------|
| EA1093XA | 80W | 12~18V | 0A | 6.66A | $\pm 5\%$ | $\pm 1\%$ | 270mV |
| EA1093XB | 80W | 19~24V | 0A | 4.21A | $\pm 5\%$ | $\pm 1\%$ | 360mV |
| EA1093XC | 80W | 32~42V | 0A | 2.5A | $\pm 5\%$ | $\pm 1\%$ | 630mV |
| EA1093XD | 80W | 44~56V | 0A | 1.81A | $\pm 5\%$ | $\pm 1\%$ | 840mV |
| EA1093XE | 90W | 12~18V | 0A | 7.5A | $\pm 5\%$ | $\pm 1\%$ | 270mV |
| EA1093XF | 90W | 19~24V | 0A | 4.73A | $\pm 5\%$ | $\pm 1\%$ | 360mV |
| EA1093XG | 90W | 32~42V | 0A | 2.81A | $\pm 5\%$ | $\pm 1\%$ | 630mV |
| EA1093XH | 90W | 44~56V | 0A | 2.04A | $\pm 5\%$ | $\pm 1\%$ | 840mV |
| EA1093XJ | 100W | 32~42V | 0A | 3.12A | $\pm 5\%$ | $\pm 1\%$ | 630mV |
| EA1093XK | 100W | 44~56V | 0A | 2.27A | $\pm 5\%$ | $\pm 1\%$ | 840mV |

NOTE:

- 1 : Ripple & Noise is measured by using 20MHz bandwidth limited oscilloscope and terminated each output with a 0.1uF ceramic capacitor & parallel with 47uF aluminum capacitor at full load and nominal line.
- 2 : Line regulation is defined by changing $\pm 10\%$ of input voltage from nominal line at rated load.
- 3 : Max. Power (W) $\geq V_o \times I_o$

INPUT

- Input Range: 100 to 240 VAC
- Frequency: 50 to 60Hz
- Input Current: $\leq 2.5A$
- Inrush Current: $\leq 120A/230VAC$
- Hold Up Time: $\geq 8.3ms$
- Turn On Time: $\leq 3s$

PROTECTION

- Short Circuit Protection: Auto Recovery
- Over Voltage Protection: Auto Recovery
- Over Current Protection: Auto Recovery
- Over Temperature Protection: Auto Recovery

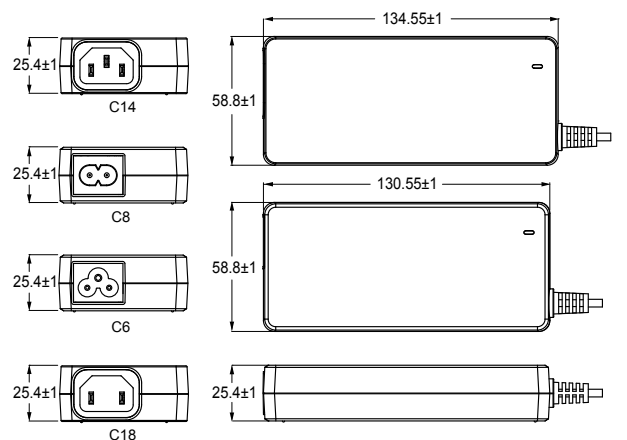
ENVIRONMENT

- Operating Temperature: -20 to 40°C
- Storage Temperature: -20 to 85°C
- Operating Humidity: 10% to 90%
- Storage Humidity: 5% to 95%

SAFETY

- Certified for whole series: UL 62368-1, CAN/CSA C22.2 No. 62368-1, TUV EN 62368-1, CB IEC 62368-1, FCC Part 15B, CE EMC(EN 55032+EN 55035), UKCA
- Certified for assigned models: CCC, BSMI, PSE, BIS, RCM, KC, CU, Argentina

MECHANICAL



- Case Size: 130.55L x 58.8W x 25.4H (mm) for AC inlet C6, C8
- Case Size: 134.55L x 58.8W x 25.4H (mm) for AC inlet C14, C18
- Weight: 350g

AC/DC Desktop Adaptor



Features

- LED Indicator
- LPS Compliance
- Active PFC Function
- Protections:
 - Short circuit / Over voltage / Over current
 - Over temperature
- Energy Efficiency Level VI or CoC Tier II
- No Load Power Consumption ≤ 0.21 W (VI), ≤ 0.15 W (Tier II)
- MTBF > 100,000 hours

EA1095 X Y - vv PP

- X:** AC inlet: 1. C14 2. C8 3. C6 6. C18
Y: Output range
vv: Specified output voltage, i.e. 12 is 12VDC
PP: DC plug type, i.e. Code 01 for 5.5x2.1mm or other options (refer to the appendix page)

General Specification

OUTPUT

| MODEL No. | MAX. OUTPUT POWER (W) | OUTPUT VOLTAGE (Vo) | MIN. LOAD (Io) | MAX. LOAD (Io) | LOAD REGULATION | LINE REGULATION | RIPPLE & NOISE |
|-----------|-----------------------|---------------------|----------------|----------------|-----------------|-----------------|----------------|
| EA1095XC | 84W | 12~18V | 0A | 7A | $\pm 5\%$ | $\pm 1\%$ | 270mV |
| EA1095XD | 80W | 18~24V | 0A | 4.44A | $\pm 5\%$ | $\pm 1\%$ | 360mV |
| EA1095XE | 90W | 18~24V | 0A | 5A | $\pm 5\%$ | $\pm 1\%$ | 360mV |
| EA1095XF | 90W | 12~18V | 0A | 7.5A | $\pm 5\%$ | $\pm 1\%$ | 270mV |
| EA1095XG | 80W | 32~42V | 0A | 2.5A | $\pm 5\%$ | $\pm 1\%$ | 630mV |
| EA1095XH | 80W | 44~56V | 0A | 1.81A | $\pm 5\%$ | $\pm 1\%$ | 840mV |
| EA1095XJ | 90W | 32~42V | 0A | 2.81A | $\pm 5\%$ | $\pm 1\%$ | 630mV |
| EA1095XK | 90W | 44~56V | 0A | 2.04A | $\pm 5\%$ | $\pm 1\%$ | 840mV |
| EA1095XL | 100W | 32~42V | 0A | 3.12A | $\pm 5\%$ | $\pm 1\%$ | 630mV |
| EA1095XM | 100W | 44~56V | 0A | 2.27A | $\pm 5\%$ | $\pm 1\%$ | 840mV |

NOTE:

- 1 : Ripple & Noise is measured by using 20MHz bandwidth limited oscilloscope and terminated each output with a 0.1uF ceramic capacitor & parallel with 47uF aluminum capacitor at full load and nominal line.
- 2 : Line regulation is defined by changing $\pm 10\%$ of input voltage from nominal line at rated load.
- 3 : Max. Power (W) $\geq V_o \times I_o$

INPUT

- Input Range 100 to 240 VAC
- Frequency 50 to 60Hz
- Input Current ≤ 2.5 A
- Inrush Current ≤ 120 A/230VAC
- Hold Up Time ≥ 8.3 ms
- Turn On Time ≤ 3 s

PROTECTION

- Short Circuit Protection Auto Recovery
- Over Voltage Protection Auto Recovery
- Over Current Protection Auto Recovery
- Over Temperature Protection Latch-off

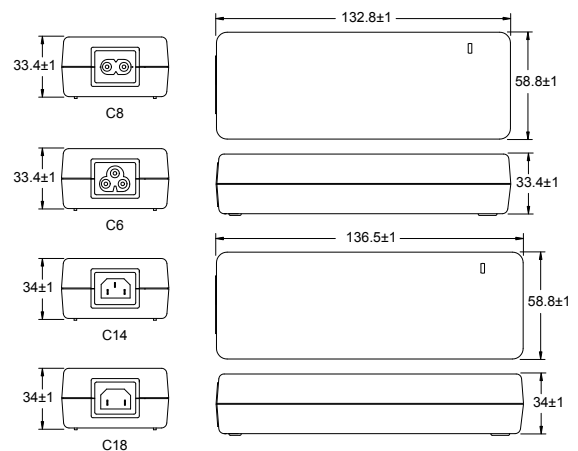
ENVIRONMENT

- Operating Temperature -20 to 40°C
- Storage Temperature -20 to 85°C
- Operating Humidity 10% to 90%
- Storage Humidity 5% to 95%

SAFETY

- Certified for whole series: UL 62368-1, CAN/CSA C22.2 No. 62368-1, TUV EN 62368-1, CB IEC 62368-1, FCC Part 15B, CE EMC(EN 55032+EN 55035), CCC, UKCA
- Certified for assigned models: BSMI, PSE, BIS, RCM, KC, CU, PSB, NRCAN, Argentina

MECHANICAL



- Case Size: 132.8L x 58.8W x 33.4H (mm) for AC inlet C8, C6
136.5L x 58.8W x 34H (mm) for AC inlet C14, C18
- Weight: 420g

AC/DC Desktop Adaptor

ITE / ICT Switching Power Supply



Features

- LED Indicator
- Active PFC Function
- Protections:
 - Short circuit / Over voltage / Over current
 - Over temperature
- Energy Efficiency Level VI or CoC Tier II
- No Load Power Consumption $\leq 0.21W$ (VI), $\leq 0.15W$ (Tier II)
- MTBF > 100,000 hours

EA1101 X Y - vv PP

- X:** AC inlet: 1. C14 2. C8 3. C6 6. C18
- Y:** Output range
- vv:** Specified output voltage, i.e. 12 is 12VDC
- PP:** DC plug type, i.e. Code 01 for 5.5x2.1mm or other options (refer to the appendix page)

General Specification

OUTPUT

| MODEL No. | MAX. OUTPUT POWER (W) | OUTPUT VOLTAGE (Vo) | MIN. LOAD (Io) | MAX. LOAD (Io) | LOAD REGULATION | LINE REGULATION | RIPPLE & NOISE |
|-----------|-----------------------|---------------------|----------------|----------------|-----------------|-----------------|----------------|
| EA1101XA | 80W | 12~16V | 0A | 6.66A | $\pm 5\%$ | $\pm 1\%$ | 240mV |
| EA1101XB | 90W | 12~16V | 0A | 7.5A | $\pm 5\%$ | $\pm 1\%$ | 240mV |
| EA1101XC | 90W | 19~24V | 0A | 4.73A | $\pm 5\%$ | $\pm 1\%$ | 360mV |
| EA1101XD | 100W | 12~16V | 0A | 8.33A | $\pm 5\%$ | $\pm 1\%$ | 240mV |
| EA1101XE | 100W | 19~24V | 0A | 5.26A | $\pm 5\%$ | $\pm 1\%$ | 360mV |
| EA1101XF | 110W | 12~16V | 0A | 9.16A | $\pm 5\%$ | $\pm 1\%$ | 240mV |
| EA1101XG | 110W | 19~24V | 0A | 5.78A | $\pm 5\%$ | $\pm 1\%$ | 360mV |
| EA1101XH | 120W | 12~16V | 0A | 10A | $\pm 5\%$ | $\pm 1\%$ | 240mV |
| EA1101XM | 120W | 19~24V | 0A | 6.31A | $\pm 5\%$ | $\pm 1\%$ | 360mV |
| EA1101XN | 100W | 48~56V | 0A | 2.08A | $\pm 5\%$ | $\pm 1\%$ | 840mV |
| EA1101XP | 130W | 48~56V | 0A | 2.7A | $\pm 5\%$ | $\pm 1\%$ | 840mV |

NOTE:

- 1 : Ripple & Noise is measured by using 20MHz bandwidth limited oscilloscope and terminated each output with a 0.1uF ceramic capacitor & parallel with 47uF aluminum capacitor at full load and nominal line.
- 2 : Line regulation is defined by changing $\pm 10\%$ of input voltage from nominal line at rated load.
- 3 : Max. Power (W) $\geq V_o \times I_o$

INPUT

- Input Range: 100 to 240 VAC
- Frequency: 50 to 60Hz
- Input Current: $\leq 2A$
- Inrush Current: $\leq 120A/230VAC$
- Hold Up Time: $\geq 8.3ms$
- Turn On Time: $\leq 3s$

PROTECTION

- Short Circuit Protection: Auto Recovery
- Over Voltage Protection: Latch-off
- Over Current Protection: Auto Recovery
- Over Temperature Protection: Latch-off

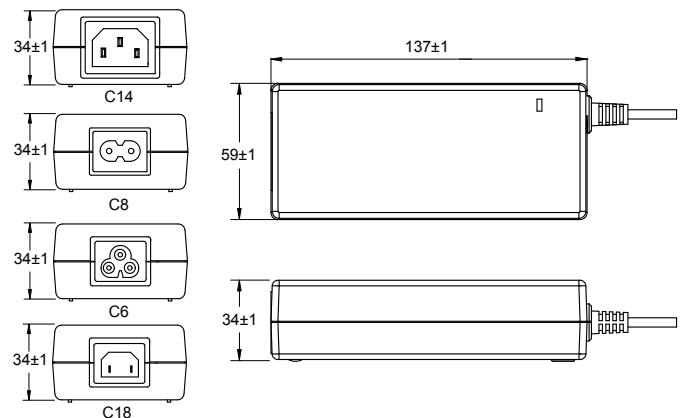
ENVIRONMENT

- Operating Temperature: -20 to 40°C
- Storage Temperature: -20 to 85°C
- Operating Humidity: 10% to 90%
- Storage Humidity: 5% to 95%

SAFETY

- Certified for whole series: UL 62368-1, CAN/CSA C22.2 No. 62368-1, TUV EN 62368-1, CB IEC 62368-1, FCC Part 15B, CE EMC(EN 55032+EN 55035), UKCA
- Certified for assigned models: CCC, BSMI, PSE, BIS, RCM, KC, CU, PSB, NRCAN, Argentina

MECHANICAL



- Case Size: 137L x 59W x 34H (mm)
- AC Inlet: C14, C8, C6, C18
- Weight: 450g

AC/DC Desktop Adaptor



Features

- Slim Size
- LED Indicator
- Active PFC Function
- Protections :
Short circuit / Over voltage / Over current
Over temperature
- Energy Efficiency Level VI or CoC Tier II
- No Load Power Consumption $\leq 0.21W$ (VI), $\leq 0.15W$ (Tier II)
- MTBF > 100,000 hours

EA1121 X Y - vv PP

- X:** AC inlet: 1. C14 2. C8 3. C6 6. C18
Y: Output range
vv: Specified output voltage, i.e. 12 is 12VDC
PP: DC plug type, i.e. Code 01 for 5.5x2.1mm
 or other options (refer to the appendix page)

General Specification

OUTPUT

| MODEL No. | MAX. OUTPUT POWER (W) | OUTPUT VOLTAGE (Vo) | MIN. LOAD (Io) | MAX. LOAD (Io) | LOAD REGULATION | LINE REGULATION | RIPPLE & NOISE |
|-----------|-----------------------|---------------------|----------------|----------------|-----------------|-----------------|----------------|
| EA1121XA | 100W | 12~18V | 0A | 8.33A | ± 5% | ± 1% | 240mV |
| EA1121XB | 100W | 19~24V | 0A | 5.26A | ± 5% | ± 1% | 380mV |
| EA1121XC | 100W | 32~42V | 0A | 3.12A | ± 5% | ± 1% | 640mV |
| EA1121XD | 100W | 44~56V | 0A | 2.27A | ± 5% | ± 1% | 880mV |
| EA1121XE | 110W | 12~18V | 0A | 9.16A | ± 5% | ± 1% | 240mV |
| EA1121XF | 110W | 19~24V | 0A | 5.78A | ± 5% | ± 1% | 380mV |
| EA1121XG | 110W | 32~42V | 0A | 3.43A | ± 5% | ± 1% | 640mV |
| EA1121XH | 110W | 44~56V | 0A | 2.5A | ± 5% | ± 1% | 880mV |
| EA1121XJ | 120W | 12~18V | 0A | 10A | ± 5% | ± 1% | 240mV |
| EA1121XK | 120W | 19~24V | 0A | 6.31A | ± 5% | ± 1% | 380mV |
| EA1121XW | 120W | 32~42V | 0A | 3.75A | ± 5% | ± 1% | 640mV |
| EA1121XM | 120W | 44~56V | 0A | 2.72A | ± 5% | ± 1% | 880mV |
| EA1121XN | 135W | 19~24V | 0A | 7.1A | ± 5% | ± 1% | 380mV |
| EA1121XP | 135W | 32~42V | 0A | 4.21A | ± 5% | ± 1% | 640mV |
| EA1121XQ | 135W | 44~56V | 0A | 3.06A | ± 5% | ± 1% | 880mV |
| EA1121XR | 130W | 19~24V | 0A | 6.84A | ± 5% | ± 1% | 380mV |

NOTE:

- 1 : Ripple & Noise is measured by using 20MHz bandwidth limited oscilloscope and terminated each output with a 0.1uF ceramic capacitor & parallel with 47uF aluminum capacitor at full load and nominal line.
- 2 : Line regulation is defined by changing $\pm 10\%$ of input voltage from nominal line at rated load.
- 3 : Max. Power (W) $\geq V_o \times I_o$

INPUT

- Input Range 100 to 240 VAC
- Frequency 50 to 60Hz
- Input Current $\leq 2A$
- Inrush Current $\leq 120A/230VAC$
- Hold Up Time $\geq 8.3ms$
- Turn On Time $\leq 3s$

PROTECTION

- Short Circuit Protection Auto Recovery
- Over Voltage Protection Latch-off or Auto Recovery
- Over Current Protection Auto Recovery
- Over Temperature Protection Auto Recovery

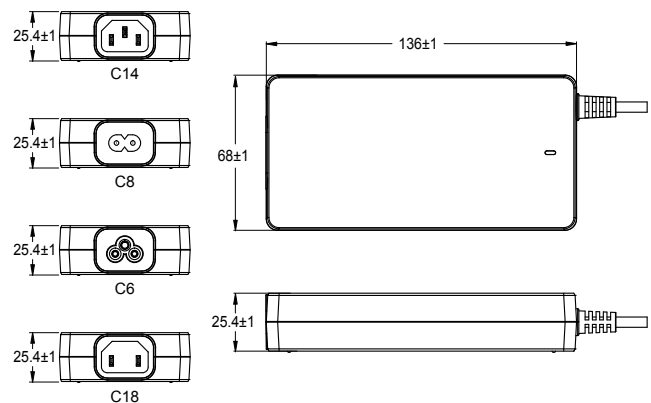
ENVIRONMENT

- Operating Temperature -20 to 40°C
- Storage Temperature -20 to 85°C
- Operating Humidity 10% to 90%
- Storage Humidity 5% to 95%

SAFETY

- Certified for whole series: UL 62368-1, CAN/CSA C22.2 No. 62368-1, TUV EN 62368-1, CB IEC 62368-1, FCC Part 15B, CE EMC(EN 55032+EN 55035), UKCA
- Certified for assigned models: CCC, PSE

MECHANICAL



- Case Size: 136L x 68W x 25.4H (mm)
- AC Inlet: C14, C8, C6, C18
- Weight: 350g

AC/DC Desktop Adaptor

ITE / ICT Switching Power Supply



Features

- LED Indicator
- Active PFC Function
- Protections:
 - Short circuit / Over voltage / Over current
 - Over temperature
- Energy Efficiency Level VI or CoC Tier II
- No Load Power Consumption $\leq 0.21W$ (VI), $\leq 0.15W$ (Tier II)
- MTBF > 50,000 hours

EA1130 X Y - vv PP

- X:** AC inlet: 1. C14 2. C8 3. C6 6. C18
- Y:** Output range
- vv:** Specified output voltage, i.e. 12 is 12VDC
- PP:** DC plug type, i.e. Code 01 for 5.5x2.1mm or other options (refer to the appendix page)

General Specification

OUTPUT

| MODEL No. | MAX. OUTPUT POWER (W) | OUTPUT VOLTAGE (Vo) | MIN. LOAD (Io) | MAX. LOAD (Io) | LOAD REGULATION | LINE REGULATION | RIPPLE & NOISE |
|-----------|-----------------------|---------------------|----------------|----------------|-----------------|-----------------|----------------|
| EA1130XA | 130W | 12~16V | 0A | 10.83A | $\pm 5\%$ | $\pm 1\%$ | 240mV |
| EA1130XB | 130W | 19~24V | 0A | 6.84A | $\pm 5\%$ | $\pm 1\%$ | 360mV |
| EA1130XC | 130W | 32~42V | 0A | 4.06A | $\pm 5\%$ | $\pm 1\%$ | 630mV |
| EA1130XD | 130W | 44~56V | 0A | 2.95A | $\pm 5\%$ | $\pm 1\%$ | 840mV |
| EA1130XE | 140W | 12~16V | 0A | 11.66A | $\pm 5\%$ | $\pm 1\%$ | 240mV |
| EA1130XF | 140W | 19~24V | 0A | 7.36A | $\pm 5\%$ | $\pm 1\%$ | 360mV |
| EA1130XG | 140W | 32~42V | 0A | 4.37A | $\pm 5\%$ | $\pm 1\%$ | 630mV |
| EA1130XH | 140W | 44~56V | 0A | 3.18A | $\pm 5\%$ | $\pm 1\%$ | 840mV |
| EA1130XJ | 150W | 12~16V | 0A | 12.5A | $\pm 5\%$ | $\pm 1\%$ | 240mV |
| EA1130XK | 150W | 19~24V | 0A | 7.89A | $\pm 5\%$ | $\pm 1\%$ | 360mV |
| EA1130XL | 150W | 32~42V | 0A | 4.68A | $\pm 5\%$ | $\pm 1\%$ | 630mV |
| EA1130XM | 150W | 44~56V | 0A | 3.4A | $\pm 5\%$ | $\pm 1\%$ | 840mV |

NOTE:

- 1 : Ripple & Noise is measured by using 20MHz bandwidth limited oscilloscope and terminated each output with a 0.1uF ceramic capacitor & parallel with 47uF aluminum capacitor at full load and nominal line.
- 2 : Line regulation is defined by changing $\pm 10\%$ of input voltage from nominal line at rated load.
- 3 : Max. Power (W) $\geq V_o \times I_o$

INPUT

- Input Range: 100 to 240 VAC
- Frequency: 50 to 60Hz
- Input Current: $\leq 2.5A$
- Inrush Current: $\leq 120A/230VAC$
- Hold Up Time: $\geq 8.3ms$
- Turn On Time: $\leq 3s$

PROTECTION

- Short Circuit Protection: Auto Recovery
- Over Voltage Protection: Latch-off
- Over Current Protection: Auto Recovery
- Over Temperature Protection: Latch-off

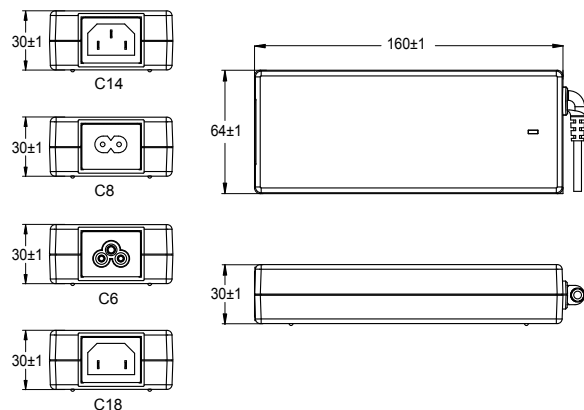
ENVIRONMENT

- Operating Temperature: -20 to 40°C
- Storage Temperature: -20 to 85°C
- Operating Humidity: 10% to 90%
- Storage Humidity: 5% to 95%

SAFETY

- Certified for whole series: UL 60950-1, CAN/CSA C22.2 No. 60950-1, TUV EN 62368-1, CB IEC 62368-1, FCC Part 15B, CE EMC(EN 55032+EN 55035), UKCA
- Certified for assigned models: CCC, BSMI, PSE, RCM, KC, NRCAN

MECHANICAL



- Case Size: 160L x 64W x 30H (mm)
- AC inlet: C14, C8, C6, C18
- Weight: 620g

AC/DC Desktop Adaptor



Features

- Slim Size
- Active PFC Function
- Protections:
 - Short circuit / Over voltage / Over current
 - Over temperature
- Energy Efficiency Level VI or CoC Tier II
- No Load Power Consumption $\leq 0.21W$ (VI) , $\leq 0.15W$ (CoC Tier II)
- MTBF > 100,000 hours

EA1153 X Y - vv PP

X: AC inlet: 2. C8 3. C6

Y: Output range

vv: Specified output voltage, i.e. 12 is 12VDC

PP: DC plug type, i.e. Code 01 for 5.5x2.1mm or other options (refer to the appendix page)

General Specification

OUTPUT

| MODEL No. | MAX. OUTPUT POWER (W) | OUTPUT VOLTAGE (Vo) | MIN. LOAD (Io) | MAX. LOAD (Io) | LOAD REGULATION | LINE REGULATION | RIPPLE & NOISE |
|-----------|-----------------------|---------------------|----------------|----------------|-----------------|-----------------|----------------|
| EA1153XA | 135W | 12~18V | 0A | 11.25A | $\pm 5\%$ | $\pm 1\%$ | 180mV |
| EA1153XB | 135W | 19~24V | 0A | 7.1A | $\pm 5\%$ | $\pm 1\%$ | 240mV |
| EA1153XC | 135W | 32~42V | 0A | 4.21A | $\pm 5\%$ | $\pm 1\%$ | 420mV |
| EA1153XD | 135W | 44~56V | 0A | 3.06A | $\pm 5\%$ | $\pm 1\%$ | 560mV |
| EA1153XE | 150W | 12~18V | 0A | 12.5A | $\pm 5\%$ | $\pm 1\%$ | 180mV |
| EA1153XF | 150W | 19~24V | 0A | 7.89A | $\pm 5\%$ | $\pm 1\%$ | 240mV |
| EA1153XG | 150W | 32~42V | 0A | 4.68A | $\pm 5\%$ | $\pm 1\%$ | 420mV |
| EA1153XH | 150W | 44~56V | 0A | 3.4A | $\pm 5\%$ | $\pm 1\%$ | 560mV |

NOTE:

1 : Ripple & Noise is measured by using 20MHz bandwidth limited oscilloscope and terminated each output with a 0.1uF ceramic capacitor & parallel with 47uF aluminum capacitor at full load and nominal line.

2 : Line regulation is defined by changing $\pm 10\%$ of input voltage from nominal line at rated load.

3 : Max. Power (W) $\geq V_o \times I_o$

INPUT

- Input Range 100 to 240 VAC
- Frequency 50 to 60 Hz
- Input Current $\leq 2.5A$
- Inrush Current $\leq 100A/230VAC$
- Hold Up time $\geq 8.3ms$
- Turn On Time $\leq 3s$

PROTECTION

- Short Circuit Protection Auto Recovery
- Over Voltage Protection Auto Recovery
- Over Current Protection Auto Recovery
- Over Temperature Protection Auto Recovery

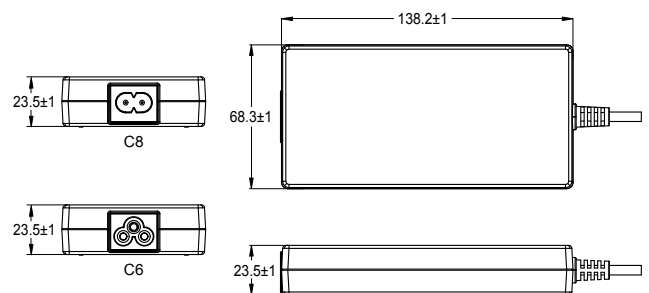
ENVIRONMENT

- Operating Temperature -20 to 40°C
- Storage Temperature -20 to 85°C
- Operating Humidity 10% to 90 %
- Storage Humidity 5% to 95 %

SAFETY

- Complied with UL 62368-1, CAN/CSA C22.2 No. 62368-1, TUV EN 62368-1, CB IEC 62368-1, FCC Part 15B, CE EMC(EN 55032+EN 55035)

MECHANICAL



- Case Size: 138.2L x 68.3W x 23.5H mm
- AC Inlet: C8, C6
- Weight: 390g

AC/DC Desktop Adaptor

ITE / ICT Switching Power Supply



Features

- LED Indicator
- Active PFC Function
- Protections:
 - Short circuit / Over voltage / Over current
 - Over temperature
- Energy Efficiency Level VI or CoC Tier II
- No Load Power Consumption $\leq 0.21W$ (VI), $\leq 0.15W$ (Tier II)
- MTBF > 50,000 hours

EA1170 X Y - vv PP

- X:** AC inlet: 1. C14 2. C8 3. C6 6. C18
- Y:** Output range
- vv:** Specified output voltage, i.e. 12 is 12VDC
- PP:** DC plug type, i.e. Code 01 for 5.5x2.1mm or other options (refer to the appendix page)

General Specification

OUTPUT

| MODEL No. | MAX. OUTPUT POWER (W) | OUTPUT VOLTAGE (Vo) | MIN. LOAD (Io) | MAX. LOAD (Io) | LOAD REGULATION | LINE REGULATION | RIPPLE & NOISE |
|-----------|-----------------------|---------------------|----------------|----------------|-----------------|-----------------|----------------|
| EA1170XA | 130W | 12~16V | 0A | 10.83A | ± 5% | ± 1% | 240mV |
| EA1170XB | 130W | 19~24V | 0A | 6.84A | ± 5% | ± 1% | 360mV |
| EA1170XC | 140W | 12~16V | 0A | 11.66A | ± 5% | ± 1% | 240mV |
| EA1170XD | 140W | 19~24V | 0A | 7.36A | ± 5% | ± 1% | 360mV |
| EA1170XE | 150W | 12~16V | 0A | 12.5A | ± 5% | ± 1% | 240mV |
| EA1170XF | 150W | 19~24V | 0A | 7.89A | ± 5% | ± 1% | 360mV |
| EA1170XG | 150W | 32~42V | 0A | 4.68A | ± 5% | ± 1% | 630mV |
| EA1170XH | 150W | 44~56V | 0A | 3.12A | ± 5% | ± 1% | 840mV |
| EA1170XJ | 130W | 32~42V | 0A | 4.06A | ± 5% | ± 1% | 640mV |
| EA1170XK | 130W | 44~56V | 0A | 2.95A | ± 5% | ± 1% | 840mV |
| EA1170XM | 160W | 12~16V | 0A | 13.33A | ± 5% | ± 1% | 240mV |
| EA1170XN | 160W | 19~24V | 0A | 8.42A | ± 5% | ± 1% | 360mV |
| EA1170XP | 170W | 19~24V | 0A | 8.94A | ± 5% | ± 1% | 360mV |
| EA1170XQ | 180W | 19~24V | 0A | 9.47A | ± 5% | ± 1% | 360mV |
| EA1170XR | 180W | 32~42V | 0A | 5.62A | ± 5% | ± 1% | 630mV |
| EA1170XS | 180W | 44~56V | 0A | 3.75A | ± 5% | ± 1% | 840mV |

NOTE:

- 1 : Ripple & Noise is measured by using 20MHz bandwidth limited oscilloscope and terminated each output with a 0.1uF ceramic capacitor & parallel with 47uF aluminum capacitor at full load and nominal line.
- 2 : Line regulation is defined by changing $\pm 10\%$ of input voltage from nominal line at rated load.
- 3 : Max. Power (W) $\geq V_o \times I_o$

INPUT

- Input Range: 100 to 240 VAC
- Frequency: 50 to 60Hz
- Input Current: $\leq 2.5A$
- Inrush Current: $\leq 120A/230VAC$
- Hold Up Time: $\geq 8.3ms$
- Turn On Time: $\leq 3s$

PROTECTION

- Short Circuit Protection: Auto Recovery
- Over Voltage Protection: Latch-off
- Over Current Protection: Auto Recovery
- Over Temperature Protection: Latch-off

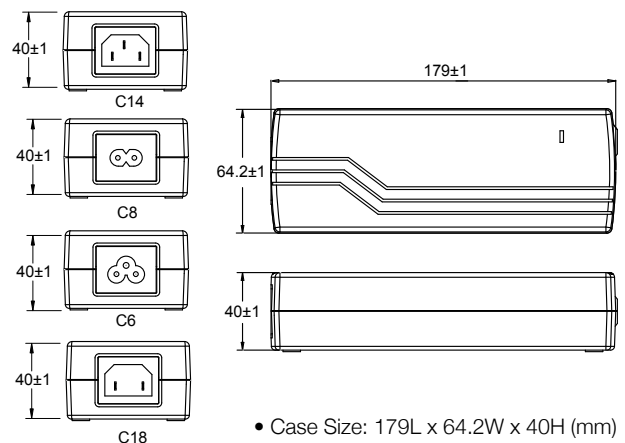
ENVIRONMENT

- Operating Temperature: -20 to 40°C
- Storage Temperature: -20 to 85°C
- Operating Humidity: 10% to 90%
- Storage Humidity: 5% to 95%

SAFETY

- Certified for whole series: UL 62368-1, CAN/CSA C22.2 No. 62368-1-14, TUV EN 62368-1, CB IEC 62368-1, FCC Part 15B, CE EMC(EN 55032+EN 55035)
- Certified for assigned models: BSMI, PSE, BIS, RCM, KC, CU, PSB, NRCAN, Argentina, KVALITE (I+II)

MECHANICAL



- Case Size: 179L x 64.2W x 40H (mm)
- AC Inlet: C14, C8, C6, C18
- Weight: 705g

AC/DC Desktop Adaptor



Features

- Active PFC Function
- Protections:
 - Short circuit / Over voltage / Over current
 - Over temperature
- Energy Efficiency Level VI or CoC Tier II
- No Load Power Consumption $\leq 0.21W$ (VI), $\leq 0.15W$ (Tier II)
- MTBF > 50,000 hours

EA1181 X Y - vv PP

- X:** AC inlet: 1. C14 2. C8 3. C6 6. C18
Y: Output range
vv: Specified output voltage, i.e. 12 is 12VDC
PP: DC plug type, i.e. Code 01 for 5.5x2.1mm or other options (refer to the appendix page)

General Specification

OUTPUT

| MODEL No. | MAX. OUTPUT POWER (W) | OUTPUT VOLTAGE (Vo) | MIN. LOAD (Io) | MAX. LOAD (Io) | LOAD REGULATION | LINE REGULATION | RIPPLE & NOISE |
|-----------|-----------------------|---------------------|----------------|----------------|-----------------|-----------------|----------------|
| EA1181XA | 150W | 12~18V | 0A | 12.5A | $\pm 5\%$ | $\pm 1\%$ | 240mV |
| EA1181XB | 160W | 12~18V | 0A | 13.33A | $\pm 5\%$ | $\pm 1\%$ | 240mV |
| EA1181XC | 170W | 12~18V | 0A | 14.16A | $\pm 5\%$ | $\pm 1\%$ | 240mV |
| EA1181XD | 180W | 19~24V | 0A | 9.47A | $\pm 5\%$ | $\pm 1\%$ | 360mV |
| EA1181XE | 180W | 32~42V | 0A | 5.62A | $\pm 5\%$ | $\pm 1\%$ | 630mV |
| EA1181XF | 180W | 44~56V | 0A | 4.09A | $\pm 5\%$ | $\pm 1\%$ | 840mV |
| EA1181XG | 190W | 19~24V | 0A | 10A | $\pm 5\%$ | $\pm 1\%$ | 360mV |
| EA1181XH | 190W | 32~42V | 0A | 5.93A | $\pm 5\%$ | $\pm 1\%$ | 630mV |
| EA1181XJ | 190W | 44~56V | 0A | 4.31A | $\pm 5\%$ | $\pm 1\%$ | 840mV |
| EA1181XK | 200W | 19~24V | 0A | 10.52A | $\pm 5\%$ | $\pm 1\%$ | 360mV |
| EA1181XL | 200W | 32~42V | 0A | 6.25A | $\pm 5\%$ | $\pm 1\%$ | 630mV |
| EA1181XM | 200W | 44~56V | 0A | 4.54A | $\pm 5\%$ | $\pm 1\%$ | 840mV |

NOTE:

- 1 : Ripple & Noise is measured by using 20MHz bandwidth limited oscilloscope and terminated each output with a 0.1uF ceramic capacitor & parallel with 47uF aluminum capacitor at full load and nominal line.
- 2 : Line regulation is defined by changing $\pm 10\%$ of input voltage from nominal line at rated load.
- 3 : Max. Power (W) $\geq V_o \times I_o$

INPUT

- Input Range: 100 to 240 VAC
- Frequency: 50 to 60Hz
- Input Current: $\leq 2.5A$
- Inrush Current: $\leq 120A/230VAC$
- Hold Up Time: $\geq 8.3ms$
- Turn On Time: $\leq 3s$

PROTECTION

- Short Circuit Protection: Latch-off
- Over Voltage Protection: Latch-off
- Over Current Protection: Latch-off
- Over Temperature Protection: Latch-off

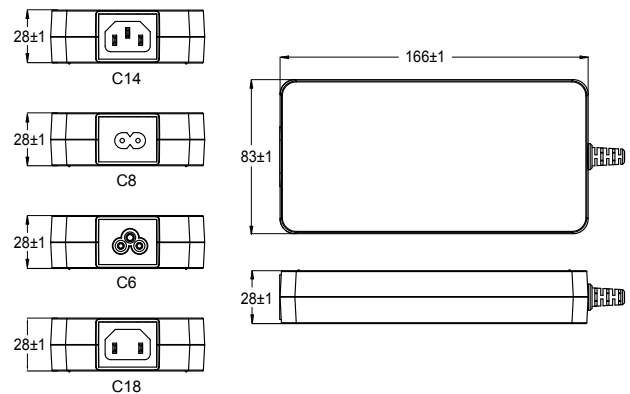
ENVIRONMENT

- Operating Temperature: -20 to 40°C
- Storage Temperature: -20 to 85°C
- Operating Humidity: 10% to 90%
- Storage Humidity: 5% to 95%

SAFETY

- Certified for whole series: UL 62368-1, CAN/CSA C22.2 No. 62368-1, TUV EN 62368-1, CB IEC 62368-1, FCC Part 15B, CE EMC(EN 55032+EN 55035), UKCA

MECHANICAL



- Case Size: 166L x 83W x 28H (mm)
- AC Inlet: C14, C8, C6, C18
- Weight: 450g

AC/DC Desktop Adaptor

ITE / ICT Switching Power Supply



Features

- Slim Size
- LED Indicator
- Active PFC Function
- Protections:
 - Short circuit / Over voltage / Over current
 - Over temperature
- Energy Efficiency Level VI or CoC Tier II
- No Load Power Consumption $\leq 0.21W$ (VI), $\leq 0.15W$ (Tier II)
- MTBF > 100,000 hours

EA1183 X Y - vv PP

- X:** AC inlet: 1. C14 2. C8 3. C6 6. C18
- Y:** Output range
- vv:** Specified output voltage, i.e. 12 is 12VDC
- PP:** DC plug type, i.e. Code O1 for 5.5x2.1mm or other options (refer to the appendix page)

General Specification

OUTPUT

| MODEL No. | MAX. OUTPUT POWER (W) | OUTPUT VOLTAGE (Vo) | MIN. LOAD (Io) | MAX. LOAD (Io) | LOAD REGULATION | LINE REGULATION | RIPPLE & NOISE |
|-----------|-----------------------|---------------------|----------------|----------------|-----------------|-----------------|----------------|
| EA1183XA | 130W | 12~18V | 0A | 10.83A | $\pm 5\%$ | $\pm 1\%$ | 270mV |
| EA1183XB | 130W | 19~24V | 0A | 6.84A | $\pm 5\%$ | $\pm 1\%$ | 360mV |
| EA1183XC | 130W | 32~42V | 0A | 4.06A | $\pm 5\%$ | $\pm 1\%$ | 630mV |
| EA1183XD | 130W | 44~56V | 0A | 2.95A | $\pm 5\%$ | $\pm 1\%$ | 840mV |
| EA1183XE | 135W | 12~18V | 0A | 11.25A | $\pm 5\%$ | $\pm 1\%$ | 270mV |
| EA1183XF | 135W | 19~24V | 0A | 7.1A | $\pm 5\%$ | $\pm 1\%$ | 360mV |
| EA1183XG | 135W | 32~42V | 0A | 4.21A | $\pm 5\%$ | $\pm 1\%$ | 630mV |
| EA1183XH | 135W | 44~56V | 0A | 3.06A | $\pm 5\%$ | $\pm 1\%$ | 840mV |
| EA1183XJ | 150W | 12~18V | 0A | 12.5A | $\pm 5\%$ | $\pm 1\%$ | 270mV |
| EA1183XK | 150W | 19~24V | 0A | 7.89A | $\pm 5\%$ | $\pm 1\%$ | 360mV |
| EA1183XL | 150W | 32~42V | 0A | 4.68A | $\pm 5\%$ | $\pm 1\%$ | 630mV |
| EA1183XM | 150W | 44~56V | 0A | 3.4A | $\pm 5\%$ | $\pm 1\%$ | 840mV |
| EA1183XN | 170W | 12~18V | 0A | 14.16A | $\pm 5\%$ | $\pm 1\%$ | 270mV |
| EA1183XP | 180W | 19~24V | 0A | 9.47A | $\pm 5\%$ | $\pm 1\%$ | 360mV |
| EA1183XQ | 180W | 32~42V | 0A | 5.62A | $\pm 5\%$ | $\pm 1\%$ | 630mV |
| EA1183XR | 180W | 44~56V | 0A | 4.09A | $\pm 5\%$ | $\pm 1\%$ | 840mV |

NOTE:

- 1 : Ripple & Noise is measured by using 20MHz bandwidth limited oscilloscope and terminated each output with a 0.1uF ceramic capacitor & parallel with 47uF aluminum capacitor at full load and nominal line.
- 2 : Line regulation is defined by changing $\pm 10\%$ of input voltage from nominal line at rated load.
- 3 : Max. Power (W) $\geq V_o \times I_o$

INPUT

- Input Range: 100 to 240 VAC
- Frequency: 50 to 60Hz
- Input Current: $\leq 2.5A$
- Inrush Current: $\leq 120A/230VAC$
- Hold Up Time: $\geq 8.3ms$
- Turn On Time: $\leq 3s$

PROTECTION

- Short Circuit Protection: Auto Recovery
- Over Voltage Protection: Auto Recovery
- Over Current Protection: Auto Recovery
- Over Temperature Protection: Latch-off

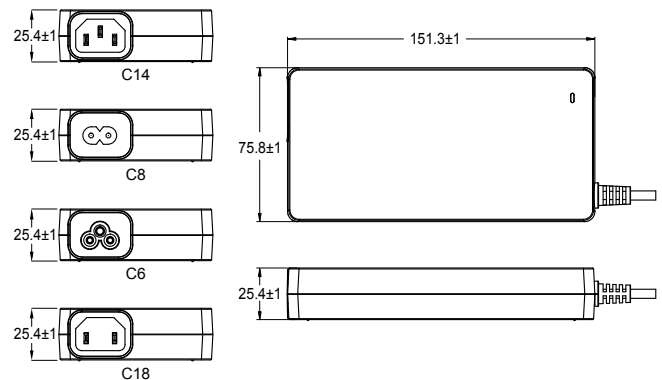
ENVIRONMENT

- Operating Temperature: -20 to 40°C
- Storage Temperature: -20 to 85°C
- Operating Humidity: 10% to 90%
- Storage Humidity: 5% to 90%

SAFETY

- Certified for whole series: UL 62368-1, CAN/CSA C22.2 No. 62368-1, TUV EN 62368-1, CB IEC 62368-1, FCC Part 15B, CE EMC(EN 55032+EN 55035), UKCA
- Certified for assigned models: CCC, BSMI, PSE, BIS, RCM, KC, PSB, NRCAN

MECHANICAL



- Case Size: 151.3L x 75.8W x 25.4H mm
- AC Inlet : C14, C8, C6, C18
- Weight: 350g

AC/DC Desktop Adaptor



Features

- Slim Size
- LED Indicator
- Active PFC Function
- Protections :
Short circuit / Over voltage / Over current
Over temperature
- Energy Efficiency Level VI
- No Load Power Consumption $\leq 0.21W$ (VI)
- MTBF > 100,000 hours

EA1232 X Y - v v PP

- X:** AC inlet: 1. C14 2. C8 3. C6 6. C18
- Y:** Output range
- vv:** Specified output voltage, i.e. 12 is 12VDC
- PP:** DC plug type, i.e. Code 01 for 5.5x2.1mm or other options (refer to the appendix page)

General Specification

OUTPUT

| MODEL No. | MAX. OUTPUT POWER (W) | OUTPUT VOLTAGE (Vo) | MIN. LOAD (Io) | MAX. LOAD (Io) | LOAD REGULATION | LINE REGULATION | RIPPLE & NOISE |
|-----------|-----------------------|---------------------|----------------|----------------|-----------------|-----------------|----------------|
| EA1232XA | 180W | 12~18V | 0A | 15A | $\pm 5\%$ | $\pm 1\%$ | 240mV |
| EA1232XB | 180W | 19~24V | 0A | 9.47A | $\pm 5\%$ | $\pm 1\%$ | 360mV |
| EA1232XC | 180W | 32~42V | 0A | 5.62A | $\pm 5\%$ | $\pm 1\%$ | 630mV |
| EA1232XD | 180W | 44~56V | 0A | 4.09A | $\pm 5\%$ | $\pm 1\%$ | 840mV |
| EA1232XF | 200W | 19~24V | 0A | 10.52A | $\pm 5\%$ | $\pm 1\%$ | 360mV |
| EA1232XG | 200W | 32~42V | 0A | 6.25A | $\pm 5\%$ | $\pm 1\%$ | 630mV |
| EA1232XH | 200W | 44~56V | 0A | 4.54A | $\pm 5\%$ | $\pm 1\%$ | 840mV |
| EA1232XK | 220W | 19~24V | 0A | 11.57A | $\pm 5\%$ | $\pm 1\%$ | 360mV |
| EA1232XL | 220W | 32~42V | 0A | 6.87A | $\pm 5\%$ | $\pm 1\%$ | 630mV |
| EA1232XM | 220W | 44~56V | 0A | 5A | $\pm 5\%$ | $\pm 1\%$ | 840mV |
| EA1232XN | 230W | 19~24V | 0A | 12.1A | $\pm 5\%$ | $\pm 1\%$ | 360mV |

NOTE:

- 1 : Ripple & Noise is measured by using 20MHz bandwidth limited oscilloscope and terminated each output with a 0.1uF ceramic capacitor & parallel with 47uF aluminum capacitor at full load and nominal line.
- 2 : Line regulation is defined by changing $\pm 10\%$ of input voltage from nominal line at rated load.
- 3 : Max. Power (W) $\geq V_o \times I_o$

INPUT

- Input Range 100 to 240 VAC
- Frequency 50 to 60Hz
- Input Current $\leq 3.5A$
- Inrush Current $\leq 100A/230VAC$
- Hold Up Time $\geq 8.3ms$
- Turn On Time $\leq 3s$

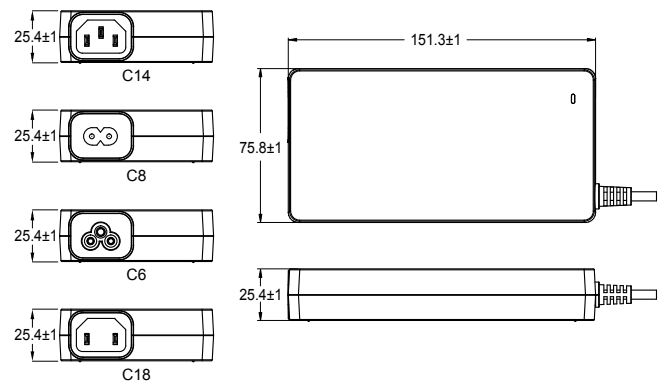
PROTECTION

- Short Circuit Protection Auto Recovery
- Over Voltage Protection Auto Recovery
- Over Current Protection Auto Recovery
- Over Temperature Protection Auto Recovery

ENVIRONMENT

- Operating Temperature -20 to 40°C
- Storage Temperature -20 to 85°C
- Operating Humidity 10% to 90 %
- Storage Humidity 5% to 90 %

MECHANICAL



- Case Size: 151.3L x 75.8W x 25.4H (mm)
- AC Inlet: C14, C8, C6, C18
- Weight: 500g

SAFETY

- Complied with UL 62368-1, CAN/CSA C22.2 No. 62368-1, TUV EN 62368-1, CB IEC 62368-1, FCC Part 15B, CE EMC(EN 55032+EN 55035)

AC/DC Desktop Adaptor

ITE / ICT Switching Power Supply



Features

- LED Indicator
- Active PFC Function
- Protections:
 - Short circuit / Over voltage / Over current
 - Over temperature
- Energy Efficiency Level VI or CoC Tier II
- No Load Power Consumption $\leq 0.21W$ (VI), $\leq 0.15W$ (Tier II)
- MTBF > 50,000 hours

EA1250 X Y - vv PP

- X:** AC inlet: 1. C14 2. C8 3. C6 6. C18
Y: Output range
vv: Specified output voltage, i.e. 12 is 12VDC
PP: DC plug type, i.e. Code 01 for 5.5x2.1mm or other options (refer to the appendix page)

General Specification

OUTPUT

| MODEL No. | MAX. OUTPUT POWER (W) | OUTPUT VOLTAGE (Vo) | MIN. LOAD (Io) | MAX. LOAD (Io) | LOAD REGULATION | LINE REGULATION | RIPPLE & NOISE |
|-----------|-----------------------|---------------------|----------------|----------------|-----------------|-----------------|----------------|
| EA1250XA | 160W | 12~18V | 0A | 13.33A | ± 5% | ± 1% | 300mV |
| EA1250XB | 180W | 12~18V | 0A | 15A | ± 5% | ± 1% | 300mV |
| EA1250XC | 180W | 19~28V | 0A | 9.47A | ± 5% | ± 1% | 350mV |
| EA1250XD | 200W | 12~18V | 0A | 16.66A | ± 5% | ± 1% | 300mV |
| EA1250XE | 200W | 19~28V | 0A | 10.52A | ± 5% | ± 1% | 350mV |
| EA1250XF | 200W | 32~42V | 0A | 6.25A | ± 5% | ± 1% | 450mV |
| EA1250XG | 200W | 44~56V | 0A | 4.54A | ± 5% | ± 1% | 600mV |
| EA1250XH | 220W | 12~18V | 0A | 18.33A | ± 5% | ± 1% | 300mV |
| EA1250XJ | 220W | 19~28V | 0A | 11.57A | ± 5% | ± 1% | 350mV |
| EA1250XK | 220W | 32~42V | 0A | 6.87A | ± 5% | ± 1% | 450mV |
| EA1250XL | 220W | 44~56V | 0A | 5A | ± 5% | ± 1% | 600mV |
| EA1250XM | 230W | 19~28V | 0A | 12.1A | ± 5% | ± 1% | 350mV |
| EA1250XN | 230W | 32~42V | 0A | 7.18A | ± 5% | ± 1% | 450mV |
| EA1250XP | 230W | 44~56V | 0A | 5.22A | ± 5% | ± 1% | 600mV |
| EA1250XQ | 250W | 19~28V | 0A | 13.15A | ± 5% | ± 1% | 350mV |
| EA1250XR | 250W | 32~42V | 0A | 7.81A | ± 5% | ± 1% | 450mV |
| EA1250XS | 250W | 44~56V | 0A | 5.68A | ± 5% | ± 1% | 600mV |

NOTE:

- 1 : Ripple & Noise is measured by using 20MHz bandwidth limited oscilloscope and terminated each output with a 0.1uF ceramic capacitor & parallel with 47uF aluminum capacitor at full load and nominal line.
- 2 : Line regulation is defined by changing $\pm 10\%$ of input voltage from nominal line at rated load.
- 3 : Max. Power (W) $\geq V_o \times I_o$

INPUT

- Input Range: 100 to 240 VAC
- Frequency: 50 to 60Hz
- Input Current: 3.5A to 2.5A
- Inrush Current: $\leq 140A/230VAC$
- Hold Up Time: $\geq 8.3ms$
- Turn On Time: $\leq 3s$

PROTECTION

- Short Circuit Protection: Auto Recovery
- Over Voltage Protection: Latch-off
- Over Current Protection: Auto Recovery
- Over Temperature Protection: Latch-off

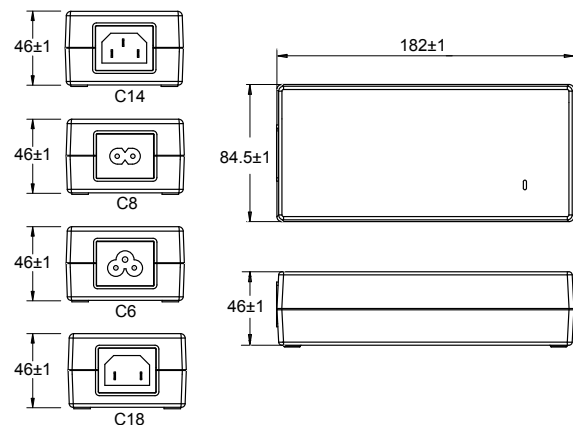
ENVIRONMENT

- Operating Temperature: -20 to 40°C
- Storage Temperature: -20 to 85°C
- Operating Humidity: 10% to 90%
- Storage Humidity: 5% to 95%

SAFETY

- Certified for whole series: UL 62368-1, CAN/CSA C22.2 No. 62368-1, TUV EN 62368-1, CB IEC 62368-1, FCC Part 15B, CE EMC(EN 55032+EN 55035), CCC, UKCA
- Certified for assigned models: BSMI, PSE, BIS, RCM, KC, CU, NRCAN

MECHANICAL



- Case Size: 182L x 84.5W x 46H (mm)
- AC Inlet: C14, C8, C6, C18
- Weight: 1000g

AC/DC Desktop Adaptor



Features

- Active PFC Function
- Protections:
 - Short circuit / Over voltage / Over current
 - Over temperature
- Energy Efficiency Level VI or CoC Tier II
- No Load Power Consumption $\leq 0.21W$ (VI), $\leq 0.15W$ (Tier II)
- MTBF > 50,000 hours

EA1252 X Y - vv PP

- X:** AC inlet: 1. C14 2. C8 3. C6 6. C18
- Y:** Output range
- vv:** Specified output voltage, i.e. 12 is 12VDC
- PP:** DC plug type, i.e. Code 01 for 5.5x2.1mm or other options (refer to the appendix page)

General Specification

OUTPUT

| MODEL No. | MAX. OUTPUT POWER (W) | OUTPUT VOLTAGE (Vo) | MIN. LOAD (Io) | MAX. LOAD (Io) | LOAD REGULATION | LINE REGULATION | RIPPLE & NOISE |
|-----------|-----------------------|---------------------|----------------|----------------|-----------------|-----------------|----------------|
| EA1252XA | 190W | 12~18V | 0A | 15.83A | $\pm 5\%$ | $\pm 1\%$ | 240mV |
| EA1252XB | 230W | 19~24V | 0A | 12.1A | $\pm 5\%$ | $\pm 1\%$ | 240mV |
| EA1252XC | 230W | 32~42V | 0A | 7.18A | $\pm 5\%$ | $\pm 1\%$ | 240mV |
| EA1252XD | 230W | 44~56V | 0A | 5.22A | $\pm 5\%$ | $\pm 1\%$ | 360mV |
| EA1252XE | 200W | 12~18V | 0A | 16.66A | $\pm 5\%$ | $\pm 1\%$ | 360mV |
| EA1252XF | 240W | 19~24V | 0A | 12.63A | $\pm 5\%$ | $\pm 1\%$ | 630mV |
| EA1252XG | 240W | 32~42V | 0A | 7.5A | $\pm 5\%$ | $\pm 1\%$ | 840mV |
| EA1252XH | 240W | 44~56V | 0A | 5.45A | $\pm 5\%$ | $\pm 1\%$ | 360mV |
| EA1252XJ | 210W | 12~18V | 0A | 17.5A | $\pm 5\%$ | $\pm 1\%$ | 360mV |
| EA1252XK | 250W | 19~24V | 0A | 13.15A | $\pm 5\%$ | $\pm 1\%$ | 360mV |
| EA1252XL | 250W | 32~42V | 0A | 7.81A | $\pm 5\%$ | $\pm 1\%$ | 630mV |
| EA1252XM | 250W | 44~56V | 0A | 5.68A | $\pm 5\%$ | $\pm 1\%$ | 840mV |

NOTE:

- 1 : Ripple & Noise is measured by using 20MHz bandwidth limited oscilloscope and terminated each output with a 0.1uF ceramic capacitor & parallel with 47uF aluminum capacitor at full load and nominal line.
- 2 : Line regulation is defined by changing $\pm 10\%$ of input voltage from nominal line at rated load.
- 3 : Max. Power (W) $\geq V_o \times I_o$

INPUT

- Input Range: 100 to 240 VAC
- Frequency: 50 to 60Hz
- Input Current: 3.5A to 2.5A
- Inrush Current: $\leq 140A/230VAC$
- Hold Up Time: $\geq 8.3ms$
- Turn On Time: $\leq 3s$

PROTECTION

- Short Circuit Protection: Latch-off
- Over Voltage Protection: Latch-off
- Over Current Protection: Latch-off
- Over Temperature Protection: Latch-off

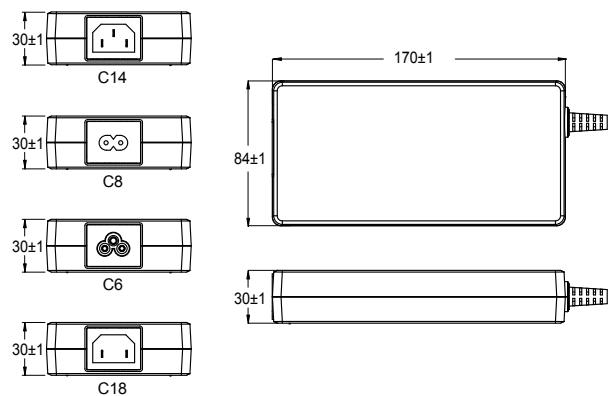
ENVIRONMENT

- Operating Temperature: -20 to 40°C
- Storage Temperature: -20 to 85°C
- Operating Humidity: 10% to 90%
- Storage Humidity: 5% to 95%

SAFETY

- Certified for whole series: UL 62368-1, CAN/CSA C22.2 No. 62368-1, TUV EN 62368-1, CB IEC 62368-1, FCC Part 15B, CE EMC(EN 55032+EN 55035), UKCA
- Certified for assigned models: CCC, BSMI, PSE, BIS, RCM, KC, NRCAN

MECHANICAL



- Case Size: 170L x 84W x 30H (mm)
- AC inlet: C14, C8, C6, C18
- Weight: 950g

AC/DC Desktop Adaptor

ITE / ICT Switching Power Supply



Features

- LED Indicator
- Active PFC Function
- Protections:
 - Short circuit / Over voltage / Over current
 - Over temperature
- Energy Efficiency Level VI
- No Load Power Consumption ≤ 0.5 W
- MTBF > 50,000 hours

EA1300 X Y - vv PP

- X:** AC inlet: 1. C14 2. C8 3. C6 6. C18
- Y:** Output range
- vv:** Specified output voltage, i.e. 12 is 12VDC
- PP:** DC plug type, i.e. Code 01 for 5.5x2.1mm or other options (refer to the appendix page)

General Specification

OUTPUT

| MODEL No. | MAX. OUTPUT POWER (W) | OUTPUT VOLTAGE (Vo) | MIN. LOAD (Io) | MAX. LOAD (Io) | LOAD REGULATION | LINE REGULATION | RIPPLE & NOISE |
|-----------|-----------------------|---------------------|----------------|----------------|-----------------|-----------------|----------------|
| EA1300XA | 230W | 12~18V | 0A | 19.16A | $\pm 5\%$ | $\pm 1\%$ | 240mV |
| EA1300XB | 240W | 12~18V | 0A | 20A | $\pm 5\%$ | $\pm 1\%$ | 240mV |
| EA1300XC | 250.2W | 12~18V | 0A | 20.85A | $\pm 5\%$ | $\pm 1\%$ | 240mV |
| EA1300XD | 260W | 19~28V | 0A | 13.68A | $\pm 5\%$ | $\pm 1\%$ | 360mV |
| EA1300XE | 270W | 19~28V | 0A | 14.21A | $\pm 5\%$ | $\pm 1\%$ | 360mV |
| EA1300XF | 270W | 32~42V | 0A | 8.43A | $\pm 5\%$ | $\pm 1\%$ | 630mV |
| EA1300XG | 270W | 44~56V | 0A | 6.13A | $\pm 5\%$ | $\pm 1\%$ | 840mV |
| EA1300XH | 280W | 19~28V | 0A | 14.73A | $\pm 5\%$ | $\pm 1\%$ | 360mV |
| EA1300XM | 290W | 19~28V | 0A | 15.26A | $\pm 5\%$ | $\pm 1\%$ | 360mV |
| EA1300XN | 300W | 19~28V | 0A | 15.78A | $\pm 5\%$ | $\pm 1\%$ | 360mV |
| EA1300XP | 310W | 32~42V | 0A | 9.68A | $\pm 5\%$ | $\pm 1\%$ | 630mV |
| EA1300XQ | 310W | 44~56V | 0A | 7.04A | $\pm 5\%$ | $\pm 1\%$ | 840mV |

NOTE:

- 1 : Ripple & Noise is measured by using 20MHz bandwidth limited oscilloscope and terminated each output with a 0.1uF ceramic capacitor & parallel with 47uF aluminum capacitor at full load and nominal line.
- 2 : Line regulation is defined by changing $\pm 10\%$ of input voltage from nominal line at rated load.
- 3 : Max. Power (W) $\geq V_o \times I_o$

INPUT

- Input Range: 100 to 240 VAC
- Frequency: 50 to 60Hz
- Input Current: 5A to 2.5A
- Inrush Current: $\leq 140A/230VAC$
- Hold Up Time: $\geq 8.3ms$
- Turn On Time: $\leq 3s$

PROTECTION

- Short Circuit Protection: Auto Recovery
- Over Voltage Protection: Latch-off
- Over Current Protection: Auto Recovery
- Over Temperature Protection: Latch-off

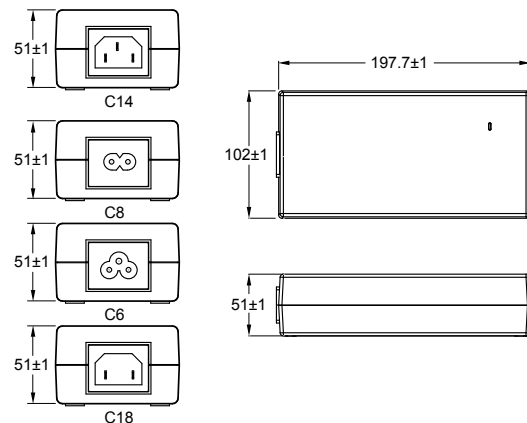
ENVIRONMENT

- Operating Temperature: -20 to 40°C
- Storage Temperature: -20 to 85°C
- Operating Humidity: 10% to 90%
- Storage Humidity: 5% to 95%

SAFETY

- Certified for whole series: UL 62368-1, CAN/CSA C22.2 No. 62368-1, TUV EN 62368-1, CB IEC 62368-1, FCC Part 15B, CE EMC(EN 55032+EN 55035), UKCA
- Certified for assigned models: CCC, PSE, BIS, KC

MECHANICAL



- Case Size: 197.7L x 102W x 51H (mm)
- AC Inlet: C14, C8, C6, C18
- Weight: 1350g

AC/DC Desktop Adaptor



Features

- Slim Size
- Protections:
Short circuit / Over voltage / Over current
Over temperature (optional)
- Energy Efficiency Level VI
- No Load Power Consumption $\leq 0.5W$
- MTBF > 100,000 hours

EA1330 X Y - vv PP

- X:** AC inlet: 1. C14
Y: Output range
vv: Specified output voltage, i.e. 12 is 12VDC
PP: DC plug type, i.e. Code O1 for 5.5x2.1mm
 or other options (refer to the appendix page)

General Specification

OUTPUT

| MODEL No. | MAX. OUTPUT POWER (W) | OUTPUT VOLTAGE (Vo) | MIN. LOAD (Io) | MAX. LOAD (Io) | LOAD REGULATION | LINE REGULATION | RIPPLE & NOISE |
|-----------|-----------------------|---------------------|----------------|----------------|-----------------|-----------------|----------------|
| EA1330XA | 240W | 12~16V | 0A | 20A | $\pm 5\%$ | $\pm 1\%$ | 240mV |
| EA1330XB | 240W | 19~24V | 0A | 12.63A | $\pm 5\%$ | $\pm 1\%$ | 360mv |
| EA1330XC | 240W | 32~42V | 0A | 7.5A | $\pm 5\%$ | $\pm 1\%$ | 630mv |
| EA1330XD | 240W | 48~56V | 0A | 5A | $\pm 5\%$ | $\pm 1\%$ | 840mV |
| EA1330XE | 270W | 12~16V | 0A | 22.5A | $\pm 5\%$ | $\pm 1\%$ | 240mV |
| EA1330XF | 270W | 19~24V | 0A | 14.21A | $\pm 5\%$ | $\pm 1\%$ | 360mv |
| EA1330XG | 270W | 32~42V | 0A | 8.43A | $\pm 5\%$ | $\pm 1\%$ | 630mv |
| EA1330XH | 270W | 48~56V | 0A | 5.62A | $\pm 5\%$ | $\pm 1\%$ | 840mV |
| EA1330XJ | 300W | 12~16V | 0A | 25A | $\pm 5\%$ | $\pm 1\%$ | 240mV |
| EA1330XK | 300W | 19~24V | 0A | 15.78A | $\pm 5\%$ | $\pm 1\%$ | 360mv |
| EA1330XL | 300W | 32~42V | 0A | 9.37A | $\pm 5\%$ | $\pm 1\%$ | 630mv |
| EA1330XM | 300W | 48~56V | 0A | 6.25A | $\pm 5\%$ | $\pm 1\%$ | 840mV |
| EA1330XN | 330W | 19~24V | 0A | 17.36A | $\pm 5\%$ | $\pm 1\%$ | 360mv |
| EA1330XP | 330W | 32~42V | 0A | 10.31A | $\pm 5\%$ | $\pm 1\%$ | 630mv |
| EA1330XQ | 330W | 48~56V | 0A | 6.87A | $\pm 5\%$ | $\pm 1\%$ | 840mV |

NOTE:

- 1 : Ripple & Noise is measured by using 20MHz bandwidth limited oscilloscope and terminated each output with a 0.1uF ceramic capacitor & parallel with 47uF aluminum capacitor at full load and nominal line.
- 2 : Line regulation is defined by changing $\pm 10\%$ of input voltage from nominal line at rated load.
- 3 : Max. Power (W) $\geq V_o \times I_o$

INPUT

- Input Range: 100 to 240 VAC
- Frequency: 50 to 60Hz
- Input Current: 5A to 2.5A
- Inrush Current: $\leq 180A/230$ VAC
- Hold Up Time: $\geq 8.3ms$
- Turn On Time: $\leq 3s$

PROTECTION

- Short Circuit Protection: Latch-off
- Over Voltage Protection: Latch-off
- Over Current Protection: Latch-off
- Over Temperature Protection: Latch-off

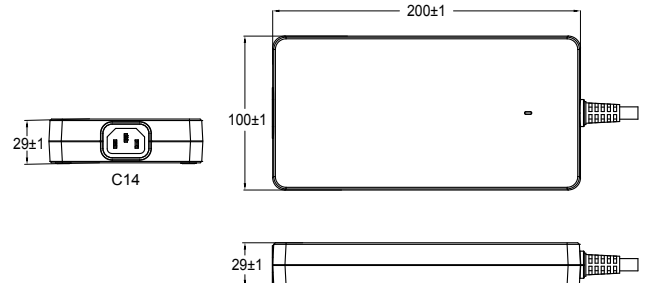
ENVIRONMENT

- Operating Temperature: -20 to 40°C
- Storage Temperature: -20 to 85°C
- Operating Humidity: 10% to 90%
- Storage Humidity: 5% to 95%

SAFETY

- Certified for whole series: UL 62368-1, CAN/CSA C22.2 No. 62368-1, TUV EN 62368-1, CB IEC 62368-1, FCC Part 15B, CE EMC(EN 55032+EN 55035), UKCA
- Certified for assigned models: CCC, BSMI, PSE, BIS, KC

MECHANICAL



- Case Size: 200L x 100W x 29H (mm)
- AC Inlet: C14
- Weight: 1200g



▶ Medical Power Supply

- 2 x MOPP & IEC/EN 60601-1 Compliance
- EMC 60601-1-2 Compliance
- Universal Input 100-240VAC
- Wall mounted/Desktop types
- Multiple Protections
- Energy Efficiency Level VI

Medical AC/DC Wall Mount Adaptor

Vertical (USB & SR Type)



Horizontal (USB & SR Type)



Features

- 2 x MOPP Compliance, IEC/EN60601-1 Approval
- Protections:
Short circuit / Over voltage / Over current
- Energy Efficiency Level VI
- No Load Power Consumption $\leq 0.1W$
- MTBF > 100,000 hours

EM1005 X Y Z T - vv PP

- X:** Output range
- Y:** Case type: (V)Vertical or (H)Horizontal
- Z:** AC plug type: • U: USA • E: EU • K: UK
- T:** Output type: U (USB) or S (SR)
- vv:** Specified output voltage, i.e. 12 is 12VDC
- PP:** DC plug type, i.e. Code 01 for 5.5x2.1mm or other options (refer to the appendix page)

General Specification

OUTPUT

| MODEL No. | MAX. OUTPUT POWER (W) | OUTPUT VOLTAGE (Vo) | MIN. LOAD (Io) | MAX. LOAD (Io) | LOAD REGULATION | LINE REGULATION | RIPPLE & NOISE |
|------------|-----------------------|---------------------|----------------|----------------|-----------------|-----------------|----------------|
| EM1005AYZT | 6W | 5~8V | 0A | 1.2A | $\pm 5\%$ | $\pm 1\%$ | 100mV |
| EM1005BYZT | 6W | 9~12V | 0A | 0.66A | $\pm 5\%$ | $\pm 1\%$ | 180mV |
| EM1005CYZT | 4.5W | 9V | 0A | 0.5A | $\pm 5\%$ | $\pm 1\%$ | 180mV |
| EM1005DYZT | 6W | 9V | 0A | 0.67A | $\pm 5\%$ | $\pm 1\%$ | 180mV |

NOTE:

- 1 : Ripple & Noise is measured by using 20MHz bandwidth limited oscilloscope and terminated each output with a 0.1uF ceramic capacitor & parallel with 47uF aluminum capacitor at full load and nominal line.
- 2 : Line regulation is defined by changing $\pm 10\%$ of input voltage from nominal line at rated load.
- 3 : Max. Power (W) $\geq V_o \times I_o$

INPUT

- Input Range: 100 to 240 VAC
- Frequency: 50 to 60Hz
- Input Current: $\leq 0.6A$
- Inrush Current: $\leq 60A/230VAC$
- Hold Up Time: $\geq 8.3ms$
- Turn On Time: $\leq 5s$

PROTECTION

- Short Circuit Protection: Auto Recovery
- Over Voltage Protection: Auto Recovery
- Over Current Protection: Auto Recovery

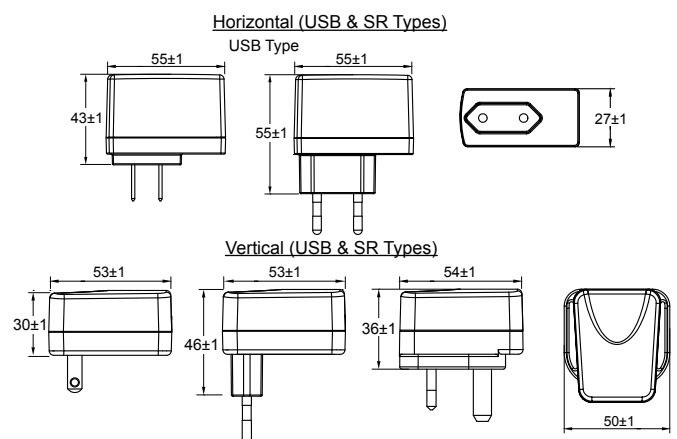
ENVIRONMENT

- Operating Temperature: -20 to 40°C
- Storage Temperature: -20 to 85°C
- Operating Humidity: 10% to 90%
- Storage Humidity: 5% to 95%

SAFETY

- Certified for whole series: ANSI/AAMI ES60601-1, CAN/CSA-C22.2 No. 60601-1, TUV EN 60601-1, CB IEC 60601-1, CE EMC(EN 60601-1-2) UL 62368-1, CAN/CSA C22.2 No. 62368-1, TUV EN 62368-1, CB IEC 62368-1, FCC Part 15B, CE EMC(EN 55032+EN 55035), CCC, BSMI, UKCA
- Certified for assigned models: PSE

MECHANICAL



- Case Size: Horizontal: USB: 55L x 27W x 55H (mm)
SR: 55L x 25W x 55H (mm)
Vertical: USA: 53L x 41W x 30H (mm)
EU: 53L x 41W x 46H (mm)
UK: 54L x 50W x 36H (mm)
- AC Plug: U: USA, E: EU, K: UK
- Weight: 70g

Medical AC/DC Interchangeable Adaptor

Features

- 2 x MOPP Compliance, IEC/EN60601-1 Approval
- Protections:
Short circuit / Over voltage / Over current
- Energy Efficiency Level VI
- No Load Power Consumption $\leq 0.1W$
- MTBF > 100,000 hours

EM1005 X Y R T - vv PP

- X:** Output range
Y: Case type: (V)Vertical
R: Interchangeable AC plug:
 • U: USA • E: EU • K: UK • A: SAA • C: China
 • S: South Africa • B: Korea • I: India
T: Output type: U (USB) or S (SR)
vv: Specified output voltage, i.e. 12 is 12VDC
PP: DC plug type, i.e. Code 01 for 5.5x2.1mm or other options (refer to the appendix page)

General Specification

OUTPUT

| MODEL No. | MAX. OUTPUT POWER (W) | OUTPUT VOLTAGE (Vo) | MIN. LOAD (Io) | MAX. LOAD (Io) | LOAD REGULATION | LINE REGULATION | RIPPLE & NOISE |
|------------|-----------------------|---------------------|----------------|----------------|-----------------|-----------------|----------------|
| EM1005AVRT | 6W | 5~8V | 0A | 1.2A | $\pm 5\%$ | $\pm 1\%$ | 100mV |
| EM1005BVRT | 6W | 9~12V | 0A | 0.66A | $\pm 5\%$ | $\pm 1\%$ | 180mV |
| EM1005CVRT | 4.5W | 9V | 0A | 0.5A | $\pm 5\%$ | $\pm 1\%$ | 180mV |
| EM1005DVRT | 6W | 9V | 0A | 0.67A | $\pm 5\%$ | $\pm 1\%$ | 180mV |

NOTE:

- 1 : Ripple & Noise is measured by using 20MHz bandwidth limited oscilloscope and terminated each output with a 0.1uF ceramic capacitor & parallel with 47uF aluminum capacitor at full load and nominal line.
- 2 : Line regulation is defined by changing $\pm 10\%$ of input voltage from nominal line at rated load.
- 3 : Max. Power (W) $\geq V_o \times I_o$

INPUT

- Input Range: 100 to 240 VAC
- Frequency: 50 to 60Hz
- Input Current: $\leq 0.6A$
- Inrush Current: $\leq 60A/230VAC$
- Hold Up Time: $\geq 8.3ms$
- Turn On Time: $\leq 5s$

PROTECTION

- Short Circuit Protection: Auto Recovery
- Over Voltage Protection: Auto Recovery
- Over Current Protection: Auto Recovery

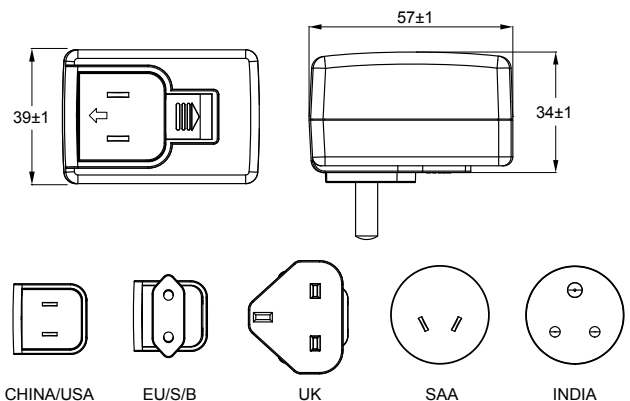
ENVIRONMENT

- Operating Temperature: -20 to 40°C
- Storage Temperature: -20 to 85°C
- Operating Humidity: 10% to 90%
- Storage Humidity: 5% to 95%

SAFETY

- Certified for whole series: ANSI/AAMI ES60601-1, CAN/CSA-C22.2 No. 60601-1, TUV EN 60601-1, CB IEC 60601-1, CE EMC(EN 60601-1-2) UL 62368-1, CAN/CSA C22.2 No. 62368-1, TUV EN 62368-1, CB IEC 62368-1, FCC Part 15B, CE EMC(EN 55032+EN 55035), CCC, BSMI, UKCA
- Certified for assigned models: PSE

MECHANICAL



- Case Size: 57L x 39W x 34H (mm)
- AC Plug: U: USA, E: EU, K: UK, A: SAA, C: China
S: South Africa, B: Korea, I: India
- Weight: 70g

Medical AC/DC Wall Mount Adaptor

Vertical (USB & SR Type)



Horizontal (USB & SR Type)



Features

- 2 x MOPP Compliance, IEC/EN60601-1 Approval
- Protections:
Short circuit / Over voltage / Over current
- Energy Efficiency Level VI
- No Load Power Consumption $\leq 0.1W$
- MTBF > 100,000 hours

EM1012 X Y Z T - vv PP

- X:** Output range
- Y:** Case type: (V)Vertical or (H)Horizontal
- Z:** AC plug type: • U: USA • E: EU • K: UK
- T:** Output type: U (USB) or S (SR)
- vv:** Specified output voltage, i.e. 12 is 12VDC
- PP:** DC plug type, i.e. Code 01 for 5.5x2.1mm or other options (refer to the appendix page)

General Specification

OUTPUT

| MODEL No. | MAX. OUTPUT POWER (W) | OUTPUT VOLTAGE (Vo) | MIN. LOAD (Io) | MAX. LOAD (Io) | LOAD REGULATION | LINE REGULATION | RIPPLE & NOISE |
|------------|-----------------------|---------------------|----------------|----------------|-----------------|-----------------|----------------|
| EM1012AYZT | 12W | 5~8V | 0A | 2.4A | $\pm 5\%$ | $\pm 1\%$ | 100mV |
| EM1012BYZT | 12W | 9~11V | 0A | 1.33A | $\pm 5\%$ | $\pm 1\%$ | 180mV |
| EM1012CYZT | 12W | 12~17V | 0A | 1A | $\pm 5\%$ | $\pm 1\%$ | 250mV |
| EM1012DYZT | 12W | 18~24V | 0A | 0.66A | $\pm 5\%$ | $\pm 1\%$ | 350mV |

NOTE:

- 1 : Ripple & Noise is measured by using 20MHz bandwidth limited oscilloscope and terminated each output with a 0.1uF ceramic capacitor & parallel with 47uF aluminum capacitor at full load and nominal line.
- 2 : Line regulation is defined by changing $\pm 10\%$ of input voltage from nominal line at rated load.
- 3 : Max. Power (W) $\geq V_o \times I_o$

INPUT

- Input Range: 100 to 240 VAC
- Frequency: 50 to 60Hz
- Input Current: $\leq 1A$
- Inrush Current: $\leq 60A/230VAC$
- Hold Up Time: $\geq 8.3ms$
- Turn On Time: $\leq 5s$

PROTECTION

- Short Circuit Protection: Auto Recovery
- Over Voltage Protection: Auto Recovery
- Over Current Protection: Auto Recovery

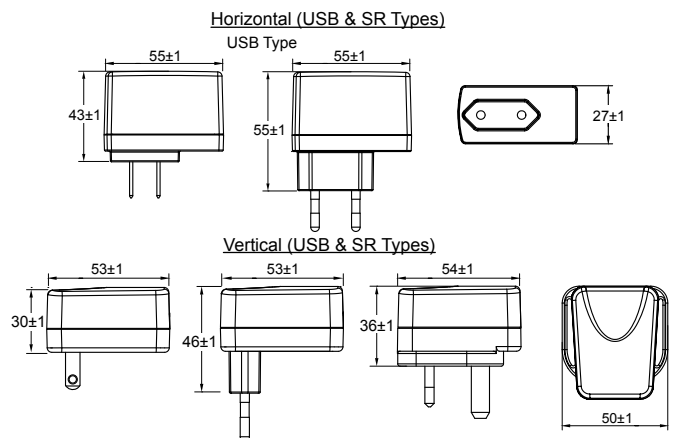
ENVIRONMENT

- Operating Temperature: -20 to 40°C
- Storage Temperature: -20 to 85°C
- Operating Humidity: 10% to 90%
- Storage Humidity: 5% to 95%

SAFETY

- Certified for whole series: ANSI/AAMI ES60601-1, CAN/CSA-C22.2 No. 60601-1, TUV EN 60601-1, CB IEC 60601-1, CE EMC(EN 60601-1-2) UL 62368-1, CAN/CSA C22.2 No. 62368-1, TUV EN 62368-1, CB IEC 62368-1, FCC Part 15B, CE EMC(EN 55032+EN 55035), UKCA
- Certified for assigned models: PSE, NRCAN

MECHANICAL



- Case Size: Horizontal: USB: 55L x 27W x 55H (mm)
SR: 55L x 25W x 55H (mm)
Vertical: USA: 53L x 41W x 30H (mm)
EU: 53L x 41W x 46H (mm)
UK: 54L x 50W x 36H (mm)
- AC Plug: U: USA, E: EU, K: UK
- Weight: 70g

Medical AC/DC Interchangeable Adaptor

Features

- 2 x MOPP Compliance, IEC/EN60601-1 Approval
- Protections:
Short circuit / Over voltage / Over current
- Energy Efficiency Level VI
- No Load Power Consumption $\leq 0.1W$
- MTBF > 100,000 hours



EM1012 X Y R T - vv PP

- X:** Output range
- Y:** Case type: (V)Vertical
- R:** Interchangeable AC plug:
 - U: USA • E: EU • K: UK • A: SAA • C: China
 - S: South Africa • B: Korea • I: India
- T:** Output type: U (USB) or S (SR)
- vv:** Specified output voltage, i.e. 12 is 12VDC
- PP:** DC plug type, i.e. Code 01 for 5.5x2.1mm or other options (refer to the appendix page)

General Specification

OUTPUT

| MODEL No. | MAX. OUTPUT POWER (W) | OUTPUT VOLTAGE (Vo) | MIN. LOAD (Io) | MAX. LOAD (Io) | LOAD REGULATION | LINE REGULATION | RIPPLE & NOISE |
|------------|-----------------------|---------------------|----------------|----------------|-----------------|-----------------|----------------|
| EM1012AVRT | 12W | 5~8V | 0A | 2.4A | $\pm 5\%$ | $\pm 1\%$ | 100mV |
| EM1012BVRT | 12W | 9~11V | 0A | 1.33A | $\pm 5\%$ | $\pm 1\%$ | 180mV |
| EM1012CVRT | 12W | 12~17V | 0A | 1A | $\pm 5\%$ | $\pm 1\%$ | 250mV |
| EM1012DVRT | 12W | 18~24V | 0A | 0.66A | $\pm 5\%$ | $\pm 1\%$ | 350mV |

NOTE:

- 1 : Ripple & Noise is measured by using 20MHz bandwidth limited oscilloscope and terminated each output with a 0.1uF ceramic capacitor & parallel with 47uF aluminum capacitor at full load and nominal line.
- 2 : Line regulation is defined by changing $\pm 10\%$ of input voltage from nominal line at rated load.
- 3 : Max. Power (W) $\geq V_o \times I_o$

INPUT

- Input Range: 100 to 240 VAC
- Frequency: 50 to 60Hz
- Input Current: $\leq 1A$
- Inrush Current: $\leq 60A/230VAC$
- Hold Up Time: $\geq 8.3ms$
- Turn On Time: $\leq 5s$

PROTECTION

- Short Circuit Protection: Auto Recovery
- Over Voltage Protection: Auto Recovery
- Over Current Protection: Auto Recovery

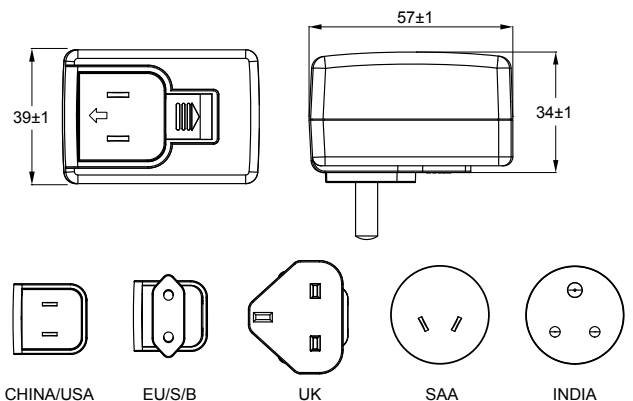
ENVIRONMENT

- Operating Temperature: -20 to 40°C
- Storage Temperature: -20 to 85°C
- Operating Humidity: 10% to 90%
- Storage Humidity: 5% to 95%

SAFETY

- Certified for whole series: ANSI/AAMI ES60601-1, CAN/CSA-C22.2 No. 60601-1, TUV EN 60601-1, CB IEC 60601-1, CE EMC(EN 60601-1-2) UL 62368-1, CAN/CSA C22.2 No. 62368-1, TUV EN 62368-1, CB IEC 62368-1, FCC Part 15B, CE EMC(EN 55032+EN 55035), UKCA
- Certified for assigned models: PSE, NRCAN

MECHANICAL



- Case Size: 57L x 39W x 34H (mm)
- AC Plug: U: USA, E: EU, K: UK, A: SAA, C: China
S: South Africa, B: Korea, I: India
- Weight: 70g

Medical AC/DC Wall Mount Adaptor



Features

- 2 x MOPP Compliance, IEC/EN60601-1 Approval
- LPS Compliance
- Protections:
 - Short circuit / Over voltage / Over current
- Energy Efficiency Level VI
- No Load Power Consumption $\leq 0.1W$ (VI)
- MTBF > 100,000 hours

EM1019 X Y Z T - vv PP

- X:** Output range
Y: Case type: (V)Vertical or (H)Horizontal
Z: AC Plug: • U: USA • E: EU • K: UK • A: SAA • C: China
T: Output type: S (SR)
vv: Specified output voltage, i.e. 12 is 12VDC
PP: DC plug type, i.e. Code 01 for 5.5x2.1mm or other options (refer to the appendix page)

General Specification

OUTPUT

| MODEL No. | MAX. OUTPUT POWER (W) | OUTPUT VOLTAGE (Vo) | MIN. LOAD (Io) | MAX. LOAD (Io) | LOAD REGULATION | LINE REGULATION | RIPPLE & NOISE |
|------------|-----------------------|---------------------|----------------|----------------|-----------------|-----------------|----------------|
| EM1019AYZS | 15W | 5~8V | 0A | 3A | $\pm 5\%$ | $\pm 1\%$ | 100mV |
| EM1019BYZS | 20W | 9~13V | 0A | 2A | $\pm 5\%$ | $\pm 1\%$ | 180mV |
| EM1019CZYS | 20W | 14~19V | 0A | 1.42A | $\pm 5\%$ | $\pm 1\%$ | 200mV |
| EM1019DZYS | 20W | 20~27V | 0A | 1A | $\pm 5\%$ | $\pm 1\%$ | 250mV |
| EM1019EYZS | 20W | 28~35V | 0A | 0.71A | $\pm 5\%$ | $\pm 1\%$ | 280mV |
| EM1019FZYS | 20W | 36~48V | 0A | 0.55A | $\pm 5\%$ | $\pm 1\%$ | 360mV |
| EM1019GZYS | 18W | 5~8V | 0A | 3A | $\pm 5\%$ | $\pm 1\%$ | 100mV |
| EM1019HZYS | 24W | 9~13V | 0A | 2A | $\pm 5\%$ | $\pm 1\%$ | 180mV |
| EM1019JZYS | 24W | 14~19V | 0A | 1.71A | $\pm 5\%$ | $\pm 1\%$ | 200mV |
| EM1019KZYS | 24W | 20~27V | 0A | 1.2A | $\pm 5\%$ | $\pm 1\%$ | 250mV |
| EM1019MYZS | 24W | 28~35V | 0A | 0.85A | $\pm 5\%$ | $\pm 1\%$ | 280mV |
| EM1019NYZS | 24W | 36~48V | 0A | 0.66A | $\pm 5\%$ | $\pm 1\%$ | 360mV |

NOTE:

- 1 : Ripple & Noise is measured by using 20MHz bandwidth limited oscilloscope and terminated each output with a 0.1uF ceramic capacitor & parallel with 47uF aluminum capacitor at full load and nominal line.
- 2 : Line regulation is defined by changing $\pm 10\%$ of input voltage from nominal line at rated load.
- 3 : Max. Power (W) $\geq V_o \times I_o$

INPUT

- Input Range: 100 to 240 VAC
- Frequency: 50 to 60Hz
- Input Current: $\leq 0.8A$
- Inrush Current: $\leq 80A/230VAC$
- Hold Up Time: $\geq 8.3ms$
- Turn On Time: $\leq 3s$

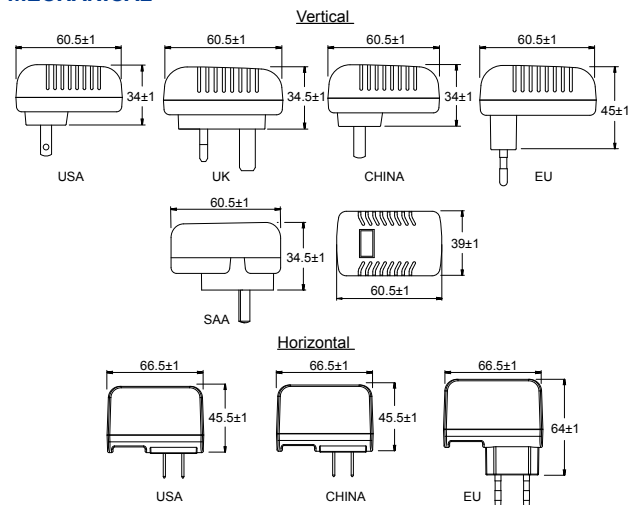
PROTECTION

- Short Circuit Protection: Auto Recovery
- Over Voltage Protection: Auto Recovery
- Over Current Protection: Auto Recovery

ENVIRONMENT

- Operating Temperature: -20 to 40°C
- Storage Temperature: -20 to 85°C
- Operating Humidity: 10% to 90%
- Storage Humidity: 5% to 95%

MECHANICAL



- Case Size: Vertical: 60.5L x 39W x 45H (mm)
Horizontal: 66.5L x 64W x 26H (mm)
- AC Plug: U: USA, E: EU, K: UK, A: SAA, C: China
- Weight: 120g

SAFETY

- Certified for whole series: ANSI/AAMI ES60601-1, CAN/CSA-C22.2 No. 60601-1, TUV EN 60601-1, CB IEC 60601-1, CE EMC(EN 60601-1-2) UL 62368-1, CAN/CSA C22.2 No. 62368-1, TUV EN 62368-1, CB IEC 62368-1, FCC Part 15B, CE EMC(EN 55032+EN 55035), CCC, UKCA
- Certified for assigned models: RCM, Argentina

Medical AC/DC Interchangeable Adaptor

Features

- 2 x MOPP Compliance, IEC/EN60601-1 Approval
- LPS Compliance
- Protections:
 - Short circuit / Over voltage / Over current
- Energy Efficiency Level VI
- No Load Power Consumption $\leq 0.1W$
- MTBF > 100,000 hours



EM1019 X Y R T - vv PP

- X:** Output range
Y: Case type: (V)Vertical
R: Interchangeable AC plug:
 - U: USA • E: EU • K: UK • A: SAA • C: China
 - S: South Africa • B: Korea • I: India
- T:** Output type: S (SR)
vv: Specified output voltage, i.e. 12 is 12VDC
PP: DC plug type, i.e. Code 01 for 5.5x2.1mm or other options (refer to the appendix page)

General Specification

OUTPUT

| MODEL No. | MAX. OUTPUT POWER (W) | OUTPUT VOLTAGE (Vo) | MIN. LOAD (Io) | MAX. LOAD (Io) | LOAD REGULATION | LINE REGULATION | RIPPLE & NOISE |
|------------|-----------------------|---------------------|----------------|----------------|-----------------|-----------------|----------------|
| EM1019AVRS | 15W | 5~8V | 0A | 3A | $\pm 5\%$ | $\pm 1\%$ | 100mV |
| EM1019BVRS | 20W | 9~13V | 0A | 2A | $\pm 5\%$ | $\pm 1\%$ | 180mV |
| EM1019CVRS | 20W | 14~19V | 0A | 1.42A | $\pm 5\%$ | $\pm 1\%$ | 200mV |
| EM1019DVRS | 20W | 20~27V | 0A | 1A | $\pm 5\%$ | $\pm 1\%$ | 250mV |
| EM1019EVRS | 20W | 28~35V | 0A | 0.71A | $\pm 5\%$ | $\pm 1\%$ | 280mV |
| EM1019FVRS | 20W | 36~48V | 0A | 0.55A | $\pm 5\%$ | $\pm 1\%$ | 360mV |
| EM1019GVRS | 18W | 5~8V | 0A | 3A | $\pm 5\%$ | $\pm 1\%$ | 100mV |
| EM1019HVRS | 24W | 9~13V | 0A | 2A | $\pm 5\%$ | $\pm 1\%$ | 180mV |
| EM1019JVRS | 24W | 14~19V | 0A | 1.71A | $\pm 5\%$ | $\pm 1\%$ | 200mV |
| EM1019KVRS | 24W | 20~27V | 0A | 1.2A | $\pm 5\%$ | $\pm 1\%$ | 250mV |
| EM1019MVRS | 24W | 28~35V | 0A | 0.85A | $\pm 5\%$ | $\pm 1\%$ | 280mV |
| EM1019NVRS | 24W | 36~48V | 0A | 0.66A | $\pm 5\%$ | $\pm 1\%$ | 360mV |

NOTE:

- 1 : Ripple & Noise is measured by using 20MHz bandwidth limited oscilloscope and terminated each output with a 0.1uF ceramic capacitor & parallel with 47uF aluminum capacitor at full load and nominal line.
- 2 : Line regulation is defined by changing $\pm 10\%$ of input voltage from nominal line at rated load.
- 3 : Max. Power (W) $\geq V_o \times I_o$

INPUT

- Input Range: 100 to 240 VAC
- Frequency: 50 to 60Hz
- Input Current: $\leq 0.8A$
- Inrush Current: $\leq 80A/230VAC$
- Hold Up Time: $\geq 8.3ms$
- Turn On Time: $\leq 3s$

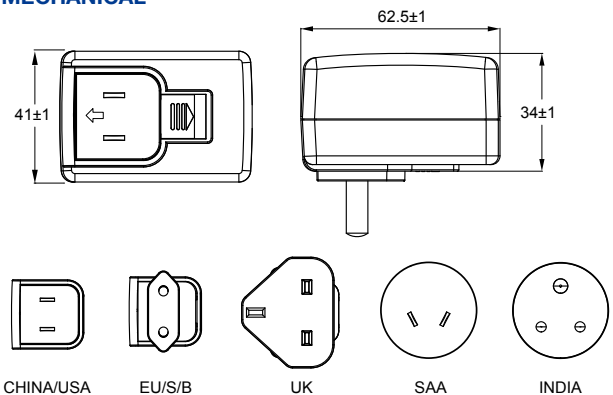
PROTECTION

- Short Circuit Protection: Auto Recovery
- Over Voltage Protection: Auto Recovery
- Over Current Protection: Auto Recovery

ENVIRONMENT

- Operating Temperature: -20 to 40°C
- Storage Temperature: -20 to 85°C
- Operating Humidity: 10% to 90%
- Storage Humidity: 5% to 95%

MECHANICAL



- Case Size: 62.5L x 41W x 34H (mm)
- AC Plug: U: USA, E: EU, K: UK, A: SAA, C: China
S: South Africa, B: Korea, I: India
- Weight: 150g

SAFETY

- Certified for whole series: ANSI/AAMI ES60601-1, CAN/CSA-C22.2 No. 60601-1, TUV EN 60601-1, CB IEC 60601-1, CE EMC(EN 60601-1-2) UL 62368-1, CAN/CSA C22.2 No. 62368-1, TUV EN 62368-1, CB IEC 62368-1, FCC Part 15B, CE EMC(EN 55032+EN 55035), CCC, UKCA
- Certified for assigned models: RCM, Argentina

Medical AC/DC Desktop Adaptor



Features

- 2 x MOPP Compliance, IEC/EN60601-1 Approval
- LED Indicator (optional)
- LPS Compliance
- Protections:
 - Short circuit / Over voltage / Over current
- Energy Efficiency Level VI
- No Load Power Consumption $\leq 0.1W$
- MTBF > 100,000 hours

EM1024 X Y - vv PP

- X:** Output range
Y: AC inlet: 1. C14 2. C8 3. C6 6. C18
vv: Specified output voltage, i.e. 12 is 12VDC
PP: DC plug type, i.e. Code 01 for 5.5x2.1mm or other options (refer to the appendix page)

General Specification

OUTPUT

| MODEL No. | MAX. OUTPUT POWER (W) | OUTPUT VOLTAGE (Vo) | MIN. LOAD (Io) | MAX. LOAD (Io) | LOAD REGULATION | LINE REGULATION | RIPPLE & NOISE |
|-----------|-----------------------|---------------------|----------------|----------------|-----------------|-----------------|----------------|
| EM1024AY | 16W | 5~8V | 0A | 2A | $\pm 5\%$ | $\pm 1\%$ | 100mV |
| EM1024BY | 20W | 5~8V | 0A | 3A | $\pm 5\%$ | $\pm 1\%$ | 100mV |
| EM1024CY | 24W | 5~8V | 0A | 4A | $\pm 5\%$ | $\pm 1\%$ | 100mV |
| EM1024DY | 18W | 9~11V | 0A | 1.5A | $\pm 5\%$ | $\pm 1\%$ | 250mV |
| EM1024EY | 24W | 9~11V | 0A | 2A | $\pm 5\%$ | $\pm 1\%$ | 250mV |
| EM1024FY | 27W | 9~11V | 0A | 3A | $\pm 5\%$ | $\pm 1\%$ | 250mV |
| EM1024GY | 20W | 12~17V | 0A | 1.66A | $\pm 5\%$ | $\pm 1\%$ | 250mV |
| EM1024HY | 30W | 12~17V | 0A | 2.5A | $\pm 5\%$ | $\pm 1\%$ | 250mV |
| EM1024JY | 24W | 18~24V | 0A | 1.33A | $\pm 5\%$ | $\pm 1\%$ | 350mV |
| EM1024KY | 30W | 18~24V | 0A | 1.66A | $\pm 5\%$ | $\pm 1\%$ | 350mV |
| EM1024MY | 20W | 36~48V | 0A | 0.55A | $\pm 5\%$ | $\pm 1\%$ | 480mV |
| EM1024NY | 30W | 36~48V | 0A | 0.83A | $\pm 5\%$ | $\pm 1\%$ | 480mV |
| EM1024PY | 36W | 12V | 0A | 3A | $\pm 5\%$ | $\pm 1\%$ | 250mV |
| EM1024QY | 24W | 12V | 0A | 2A | $\pm 5\%$ | $\pm 1\%$ | 250mV |
| EM1024RY | 36W | 24V | 0A | 1.5A | $\pm 5\%$ | $\pm 1\%$ | 350mV |

NOTE:

- 1 : Ripple & Noise is measured by using 20MHz bandwidth limited oscilloscope and terminated each output with a 0.1uF ceramic capacitor & parallel with 47uF aluminum capacitor at full load and nominal line.
- 2 : Line regulation is defined by changing $\pm 10\%$ of input voltage from nominal line at rated load.
- 3 : Max. Power (W) $\geq V_o \times I_o$

INPUT

- Input Range 100 to 240 VAC
- Frequency 50 to 60Hz
- Input Current $\leq 1A$
- Inrush Current $\leq 60A/230VAC$
- Hold Up Time $\geq 8.3ms$
- Turn On Time $\leq 3s$

PROTECTION

- Short Circuit Protection Auto Recovery
- Over Voltage Protection Latch-off
- Over Current Protection Auto Recovery

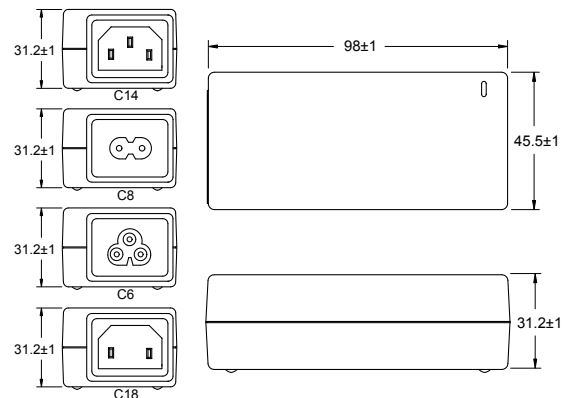
ENVIRONMENT

- Operating Temperature -20 to 40°C
- Storage Temperature -20 to 85°C
- Operating Humidity 10% to 90%
- Storage Humidity 5% to 95%

SAFETY

- Certified for whole series: ANSI/AAMI ES60601-1, CAN/CSA-C22.2 No. 60601-1, TUV EN 60601-1, CB IEC 60601-1, CE EMC(EN 60601-1-2) UL 62368-1, CAN/CSA C22.2 No. 62368-1, TUV EN 62368-1, CB IEC 62368-1, FCC Part 15B, CE EMC(EN 55032+EN 55035), CCC, UKCA
- Certified for assigned models: RCM, NRCAN

MECHANICAL



- Case Size: 98L x 45.5W x 31.2H (mm)
- AC Inlet: C14, C8, C6, C18
- Weight: 200g

Medical AC/DC Wall Mount Adaptor



Features

- 2 x MOPP Compliance, IEC/EN60601-1 Approval
- LPS Compliance
- Protections:
 - Short circuit / Over voltage / Over current
- Energy Efficiency Level VI
- No Load Power Consumption $\leq 0.1W$
- MTBF > 100,000 hours

EM1024 X Y - vv PP

- X:** Output range
Y: AC plug: • U: USA • E: EU • K: UK • A: SAA
vv: Specified output voltage, i.e. 12 is 12VDC
PP: DC plug type, i.e. Code 01 for 5.5x2.1mm or other options (refer to the appendix page)

General Specification

OUTPUT

| MODEL No. | MAX. OUTPUT POWER (W) | OUTPUT VOLTAGE (Vo) | MIN. LOAD (Io) | MAX. LOAD (Io) | LOAD REGULATION | LINE REGULATION | RIPPLE & NOISE |
|-----------|-----------------------|---------------------|----------------|----------------|-----------------|-----------------|----------------|
| EM1024AY | 16W | 5~8V | 0A | 2A | $\pm 5\%$ | $\pm 1\%$ | 100mV |
| EM1024BY | 20W | 5~8V | 0A | 3A | $\pm 5\%$ | $\pm 1\%$ | 100mV |
| EM1024CY | 24W | 5~8V | 0A | 4A | $\pm 5\%$ | $\pm 1\%$ | 100mV |
| EM1024DY | 18W | 9~11V | 0A | 1.5A | $\pm 5\%$ | $\pm 1\%$ | 250mV |
| EM1024EY | 24W | 9~11V | 0A | 2A | $\pm 5\%$ | $\pm 1\%$ | 250mV |
| EM1024FY | 27W | 9~11V | 0A | 3A | $\pm 5\%$ | $\pm 1\%$ | 250mV |
| EM1024GY | 20W | 12~17V | 0A | 1.66A | $\pm 5\%$ | $\pm 1\%$ | 250mV |
| EM1024HY | 30W | 12~17V | 0A | 2.5A | $\pm 5\%$ | $\pm 1\%$ | 250mV |
| EM1024JY | 24W | 18~24V | 0A | 1.33A | $\pm 5\%$ | $\pm 1\%$ | 350mV |
| EM1024KY | 30W | 18~24V | 0A | 1.66A | $\pm 5\%$ | $\pm 1\%$ | 350mV |
| EM1024MY | 20W | 36~48V | 0A | 0.55A | $\pm 5\%$ | $\pm 1\%$ | 480mV |
| EM1024NY | 30W | 36~48V | 0A | 0.83A | $\pm 5\%$ | $\pm 1\%$ | 480mV |
| EM1024PY | 36W | 12V | 0A | 3A | $\pm 5\%$ | $\pm 1\%$ | 250mV |
| EM1024QY | 24W | 12V | 0A | 2A | $\pm 5\%$ | $\pm 1\%$ | 250mV |
| EM1024RY | 36W | 24V | 0A | 1.5A | $\pm 5\%$ | $\pm 1\%$ | 350mV |

NOTE:

- 1 : Ripple & Noise is measured by using 20MHz bandwidth limited oscilloscope and terminated each output with a 0.1uF ceramic capacitor & parallel with 47uF aluminum capacitor at full load and nominal line.
- 2 : Line regulation is defined by changing $\pm 10\%$ of input voltage from nominal line at rated load.
- 3 : Max. Power (W) $\geq V_o \times I_o$

INPUT

- Input Range: 100 to 240 VAC
- Frequency: 50 to 60Hz
- Input Current: $\leq 1A$
- Inrush Current: $\leq 60A/230VAC$
- Hold Up Time: $\geq 8.3ms$
- Turn On Time: $\leq 3s$

PROTECTION

- Short Circuit Protection: Auto Recovery
- Over Voltage Protection: Latch-off
- Over Current Protection: Auto Recovery

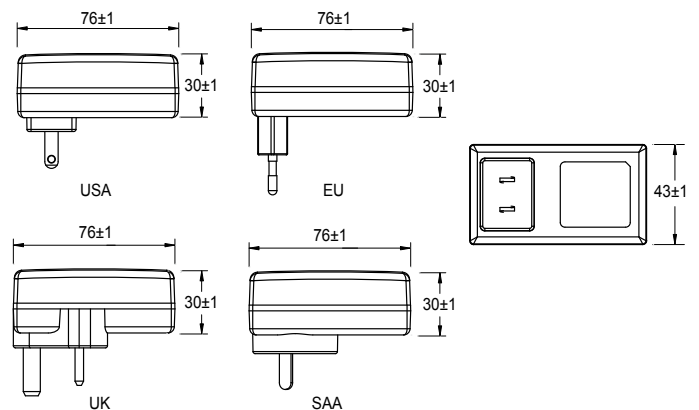
ENVIRONMENT

- Operating Temperature: -20 to 40°C
- Storage Temperature: -20 to 85°C
- Operating Humidity: 10% to 90%
- Storage Humidity: 5% to 95%

SAFETY

- Certified for whole series: ANSI/AAMI ES60601-1, CAN/CSA-C22.2 No. 60601-1, TUV EN 60601-1, CB IEC 60601-1, CE EMC(EN 60601-1-2) UL 62368-1, CAN/CSA C22.2 No. 62368-1, TUV EN 62368-1, CB IEC 62368-1, FCC Part 15B, CE EMC(EN 55032+EN 55035), CCC, UKCA
- Certified for assigned models: PSE, RCM, NRCAN, Argentina

MECHANICAL



- Case Size: 76L x 43W x 30H (mm)
- AC Plug: U: USA, E: EU, K: UK, A: SAA
- Weight: 200g

Medical AC/DC Interchangeable Adaptor

Features

- 2 x MOPP Compliance, IEC/EN60601-1 Approval
- LPS Compliance
- Protections:
 - Short circuit / Over voltage / Over current
- Energy Efficiency Level VI
- No Load Power Consumption $\leq 0.1W$
- MTBF > 100,000 hours



EM1024 X R - vv PP

- X:** Output range
- R:** Interchangeable AC plug:
 - U: USA • E: EU • K: UK • A: SAA • C: China
 - S: South Africa • B: Korea • I: India
- vv:** Specified output voltage, i.e. 12 is 12VDC
- PP:** DC plug type, i.e. Code 01 for 5.5x2.1mm or other options (refer to the appendix page)

General Specification

OUTPUT

| MODEL No. | MAX. OUTPUT POWER (W) | OUTPUT VOLTAGE (Vo) | MIN. LOAD (Io) | MAX. LOAD (Io) | LOAD REGULATION | LINE REGULATION | RIPPLE & NOISE |
|-----------|-----------------------|---------------------|----------------|----------------|-----------------|-----------------|----------------|
| EM1024AR | 16W | 5~8V | 0A | 2A | $\pm 5\%$ | $\pm 1\%$ | 100mV |
| EM1024BR | 20W | 5~8V | 0A | 3A | $\pm 5\%$ | $\pm 1\%$ | 100mV |
| EM1024CR | 24W | 5~8V | 0A | 4A | $\pm 5\%$ | $\pm 1\%$ | 100mV |
| EM1024DR | 18W | 9~11V | 0A | 1.5A | $\pm 5\%$ | $\pm 1\%$ | 250mV |
| EM1024ER | 24W | 9~11V | 0A | 2A | $\pm 5\%$ | $\pm 1\%$ | 250mV |
| EM1024FR | 27W | 9~11V | 0A | 3A | $\pm 5\%$ | $\pm 1\%$ | 250mV |
| EM1024GR | 20W | 12~17V | 0A | 1.66A | $\pm 5\%$ | $\pm 1\%$ | 250mV |
| EM1024HR | 30W | 12~17V | 0A | 2.5A | $\pm 5\%$ | $\pm 1\%$ | 250mV |
| EM1024JR | 24W | 18~24V | 0A | 1.33A | $\pm 5\%$ | $\pm 1\%$ | 350mV |
| EM1024KR | 30W | 18~24V | 0A | 1.66A | $\pm 5\%$ | $\pm 1\%$ | 350mV |
| EM1024MR | 20W | 36~48V | 0A | 0.55A | $\pm 5\%$ | $\pm 1\%$ | 480mV |
| EM1024NR | 30W | 36~48V | 0A | 0.83A | $\pm 5\%$ | $\pm 1\%$ | 480mV |
| EM1024PR | 36W | 12V | 0A | 3A | $\pm 5\%$ | $\pm 1\%$ | 250mV |
| EM1024QR | 24W | 12V | 0A | 2A | $\pm 5\%$ | $\pm 1\%$ | 250mV |
| EM1024RR | 36W | 24V | 0A | 1.5A | $\pm 5\%$ | $\pm 1\%$ | 350mV |

NOTE:

- 1 : Ripple & Noise is measured by using 20MHz bandwidth limited oscilloscope and terminated each output with a 0.1uF ceramic capacitor & parallel with 47uF aluminum capacitor at full load and nominal line.
- 2 : Line regulation is defined by changing $\pm 10\%$ of input voltage from nominal line at rated load.
- 3 : Max. Power (W) $\geq V_o \times I_o$

INPUT

- Input Range: 100 to 240 VAC
- Frequency: 50 to 60Hz
- Input Current: $\leq 1A$
- Inrush Current: $\leq 60A/230VAC$
- Hold Up Time: $\geq 8.3ms$
- Turn On Time: $\leq 3s$

PROTECTION

- Short Circuit Protection: Auto Recovery
- Over Voltage Protection: Latch-off
- Over Current Protection: Auto Recovery

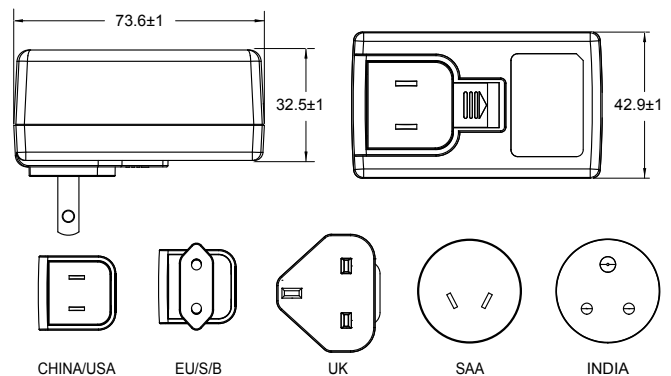
ENVIRONMENT

- Operating Temperature: -20 to 40°C
- Storage Temperature: -20 to 85°C
- Operating Humidity: 10% to 90%
- Storage Humidity: 5% to 95%

SAFETY

- Certified for whole series: ANSI/AAMI ES60601-1, CAN/CSA-C22.2 No. 60601-1, TUV EN 60601-1, CB IEC 60601-1, CE EMC(EN 60601-1-2) UL 62368-1, CAN/CSA C22.2 No. 62368-1, TUV EN 62368-1, CB IEC 62368-1, FCC Part 15B, CE EMC(EN 55032+EN 55035), CCC, UKCA
- Certified for assigned models: PSE, RCM, NRCAN, Argentina

MECHANICAL



- Case Size: 73.6L x 42.9W x 32.5H (mm)
- AC Plug: U: USA, E: EU, K: UK, A: SAA, C: China
S: South Africa, B: Korea, I: India
- Weight: 200g

Medical AC/DC Wall Mount Adaptor



Features

- 2 x MOPP & IEC/EN60601-1 Compliance
- LPS Compliance
- Protections :
Short circuit / Over voltage / Over current
- Energy Efficiency Level VI or CoC Tier II
- No Load Power Consumption $\leq 0.1W$ (VI), $\leq 0.075W$ (Tier II)
- MTBF > 100,000 hours
- Non Y-cap Design
- Low Leakage Current

EM1027 X Y Z T - vv PP

- X:** Output range
- Y:** Case type: (V)Vertical or (H)Horizontal
- Z:** AC plug type: • U: USA • E: EU • C: CHINA for (H)
AC plug type: • U: USA • E: EU • K: UK • A: SAA for (V)
- T:** Output type: S (SR)
- vv:** Specified output voltage, i.e. 12 is 12VDC
- PP:** DC plug type, i.e. Code 01 for 5.5x2.1mm or other options (refer to the appendix page)

General Specification

OUTPUT

| MODEL No. | MAX. OUTPUT POWER (W) | OUTPUT VOLTAGE (Vo) | MIN. LOAD (Io) | MAX. LOAD (Io) | LOAD REGULATION | LINE REGULATION | RIPPLE & NOISE |
|-------------|-----------------------|---------------------|----------------|----------------|-----------------|-----------------|----------------|
| EM1027AYZS | 18W | 5V | 0A | 3.6A | $\pm 5\%$ | $\pm 3\%$ | 100mV |
| EM1027BYZS | 24W | 9V | 0A | 2.66A | $\pm 5\%$ | $\pm 3\%$ | 180mV |
| EM1027CYSZS | 24W | 12V | 0A | 2A | $\pm 5\%$ | $\pm 3\%$ | 250mV |
| EM1027DYSZS | 30W | 24V | 0A | 1.25A | $\pm 5\%$ | $\pm 3\%$ | 350mV |

NOTE:

- 1 : Ripple & Noise is measured by using 20MHz bandwidth limited oscilloscope and terminated each output with a 0.1uF ceramic capacitor & parallel with 47uF aluminum capacitor at full load and nominal line.
- 2 : Line regulation is defined by changing $\pm 10\%$ of input voltage from nominal line at rated load.
- 3 : Max. Power (W) $\geq V_o \times I_o$

INPUT

- Input Range 100 to 240 VAC
- Frequency 50 to 60Hz
- Input Current $\leq 0.8A$
- Inrush Current $\leq 60A/230VAC$
- Hold Up Time $\geq 8.3ms$
- Turn On Time $\leq 5s$
- Leakage Current $\leq 10uA$

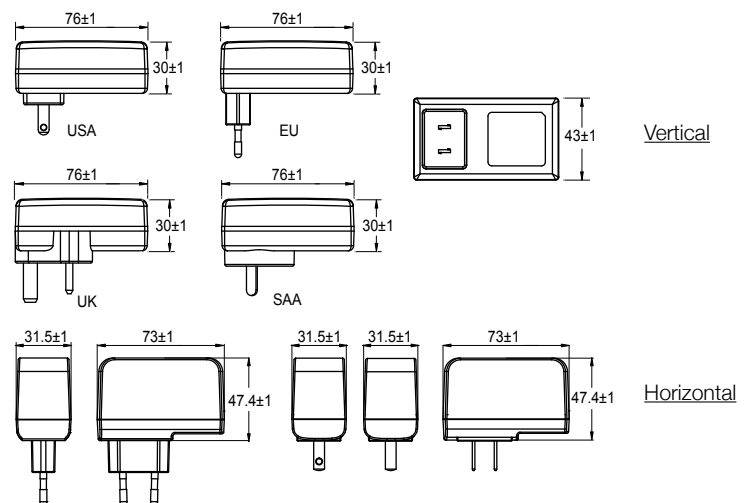
PROTECTION

- Short Circuit Protection Auto Recovery
- Over Voltage Protection Auto Recovery
- Over Current Protection Auto Recovery

ENVIRONMENT

- Operating Temperature -20 to 40°C
- Storage Temperature -20 to 85°C
- Operating Humidity 10% to 90 %
- Storage Humidity 5% to 95 %

MECHANICAL



- Case Size: Vertical: 76L x 43W x 30H (mm)
Horizontal: 73L x 47.4W x 31.5H (mm)
- AC Plug: U: USA, E: EU, K: UK, A: SAA (Vertical)
U: USA, E: EU C: China (Horizontal)
- Weight: 200g

SAFETY

- Certified for whole series: CB IEC 60601-1, CE EMC(EN 60601-1-2), CB IEC 62368-1, CE EMC(EN 55032+EN 55035)
- Complied with ANSI/AAMI ES60601-1, CAN/CSA-C22.2 No. 60601-1, TUV EN 60601-1, UL 62368-1, CAN/CSA C22.2 No. 62368-1, TUV EN 62368-1, FCC Part 15B

Medical AC/DC Interchangeable Adaptor

Features

- 2 x MOPP & IEC/EN60601-1 Compliance
- LPS Compliance
- Protections :
Short circuit / Over voltage / Over current
- Energy Efficiency Level VI or CoC Tier II
- No Load Power Consumption $\leq 0.1W$ (VI), $\leq 0.075W$ (Tier II)
- MTBF > 100,000 hours
- Non Y-cap Design
- Low Leakage Current



EM1027 X Y R T - vv PP

- X:** Output range
Y: Case type: (V) Vertical
R: Interchangeable AC plug:
 • U: USA • E: EU • K: UK • A: SAA • C: China
 • S: South Africa • B: Korea • I: India
T: Output type: S (SR)
vv: Specified output voltage, i.e. 12 is 12VDC
PP: DC plug type, i.e. Code 01 for 5.5x2.1mm or other options (refer to the appendix page)

General Specification

OUTPUT

| MODEL No. | MAX. OUTPUT POWER (W) | OUTPUT VOLTAGE (Vo) | MIN. LOAD (Io) | MAX. LOAD (Io) | LOAD REGULATION | LINE REGULATION | RIPPLE & NOISE |
|------------|-----------------------|---------------------|----------------|----------------|-----------------|-----------------|----------------|
| EM1027AVRS | 18W | 5V | 0A | 3.6A | $\pm 5\%$ | $\pm 3\%$ | 100mV |
| EM1027BVRS | 24W | 9V | 0A | 2.66A | $\pm 5\%$ | $\pm 3\%$ | 180mV |
| EM1027CVRS | 24W | 12V | 0A | 2A | $\pm 5\%$ | $\pm 3\%$ | 250mV |
| EM1027DVRS | 30W | 24V | 0A | 1.25A | $\pm 5\%$ | $\pm 3\%$ | 350mV |

NOTE:

- 1 : Ripple & Noise is measured by using 20MHz bandwidth limited oscilloscope and terminated each output with a 0.1uF ceramic capacitor & parallel with 47uF aluminum capacitor at full load and nominal line.
- 2 : Line regulation is defined by changing $\pm 10\%$ of input voltage from nominal line at rated load.
- 3 : Max. Power (W) $\geq V_o \times I_o$

INPUT

- Input Range 100 to 240 VAC
- Frequency 50 to 60Hz
- Input Current $\leq 0.8A$
- Inrush Current $\leq 60A/230VAC$
- Hold Up Time $\geq 8.3ms$
- Turn On Time $\leq 5s$
- Leakage Current $\leq 10uA$

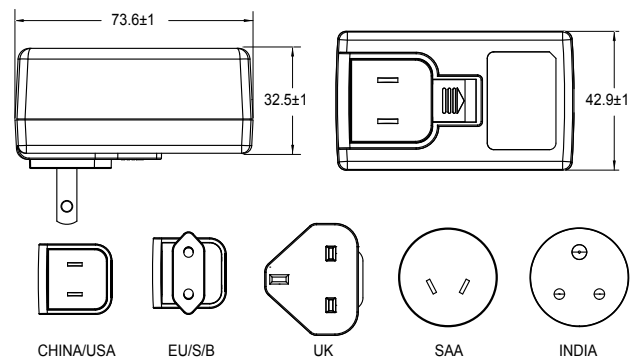
PROTECTION

- Short Circuit Protection Auto Recovery
- Over Voltage Protection Auto Recovery
- Over Current Protection Auto Recovery

ENVIRONMENT

- Operating Temperature -20 to 40°C
- Storage Temperature -20 to 85°C
- Operating Humidity 10% to 90%
- Storage Humidity 5% to 95%

MECHANICAL



- Case Size: 73.6L x 42.9W x 32.5H (mm)
- AC Plug: U: USA, E: EU, K: UK, A: SAA, C: China
S: South Africa, B: Korea, I: India
- Weight: 200g

SAFETY

- Certified for whole series: CB IEC 60601-1, CE EMC(EN 60601-1-2), CB IEC 62368-1, CE EMC(EN 55032+EN 55035)
- Complied with ANSI/AAMI ES60601-1, CAN/CSA-C22.2 No. 60601-1, TUV EN 60601-1, UL 62368-1, CAN/CSA C22.2 No. 62368-1, TUV EN 62368-1, FCC Part 15B

Medical AC/DC Desktop Adaptor



Features

- 2 x MOPP Compliance, IEC/EN60601-1 Approval
- LED Indicator
- LPS Compliance
- Protections:
 - Short circuit / Over voltage / Over current
 - Over temperature (optional)
- Energy Efficiency Level VI
- No Load Power Consumption
 - Less than 50W: $\leq 0.1W$
 - More than (includes) 50W: $\leq 0.21W$
- MTBF > 100,000 hours

EM1068 X Y - vv PP

- X:** AC inlet: 1. C14 2. C8 3. C6 6. C18
Y: Output range
vv: Specified output voltage, i.e. 12 is 12VDC
PP: DC plug type, i.e. Code 01 for 5.5x2.1mm or other options (refer to the appendix page)

General Specification

OUTPUT

| MODEL No. | MAX. OUTPUT POWER (W) | OUTPUT VOLTAGE (Vo) | MIN. LOAD (Io) | MAX. LOAD (Io) | LOAD REGULATION | LINE REGULATION | RIPPLE & NOISE |
|-----------|-----------------------|---------------------|----------------|----------------|-----------------|-----------------|----------------|
| EM1068XA | 25W | 5~9V | 0A | 5A | $\pm 5\%$ | $\pm 1\%$ | 180mV |
| EM1068XB | 40W | 12~16V | 0A | 3.33A | $\pm 5\%$ | $\pm 1\%$ | 240mV |
| EM1068XC | 40W | 18~24V | 0A | 2.1A | $\pm 5\%$ | $\pm 1\%$ | 360mV |
| EM1068XD | 40W | 32~42V | 0A | 1.25A | $\pm 5\%$ | $\pm 1\%$ | 630mV |
| EM1068XE | 40W | 44~56V | 0A | 0.9A | $\pm 5\%$ | $\pm 1\%$ | 840mV |
| EM1068XF | 30W | 5~9V | 0A | 6A | $\pm 5\%$ | $\pm 1\%$ | 180mV |
| EM1068XG | 50W | 12~16V | 0A | 4.16A | $\pm 5\%$ | $\pm 1\%$ | 240mV |
| EM1068XH | 50W | 18~24V | 0A | 2.63A | $\pm 5\%$ | $\pm 1\%$ | 360mV |
| EM1068XJ | 50W | 32~42V | 0A | 1.56A | $\pm 5\%$ | $\pm 1\%$ | 630mV |
| EM1068XK | 50W | 44~56V | 0A | 1.13A | $\pm 5\%$ | $\pm 1\%$ | 840mV |
| EM1068XW | 40W | 5~9V | 0A | 8A | $\pm 5\%$ | $\pm 1\%$ | 180mV |
| EM1068XM | 35W | 5~9V | 0A | 7A | $\pm 5\%$ | $\pm 1\%$ | 180mV |
| EM1068XN | 60W | 12~16V | 0A | 5A | $\pm 5\%$ | $\pm 1\%$ | 240mV |
| EM1068XP | 60W | 18~24V | 0A | 3.15A | $\pm 5\%$ | $\pm 1\%$ | 360mV |
| EM1068XQ | 60W | 32~42V | 0A | 1.87A | $\pm 5\%$ | $\pm 1\%$ | 630mV |
| EM1068XR | 60W | 44~56V | 0A | 1.36A | $\pm 5\%$ | $\pm 1\%$ | 840mV |
| EM1068XY | 65W | 12~16V | 0A | 5.42A | $\pm 5\%$ | $\pm 1\%$ | 240mV |
| EM1068XS | 45W | 5~9V | 0A | 9A | $\pm 5\%$ | $\pm 1\%$ | 180mV |
| EM1068XU | 72W | 12~16V | 0A | 6A | $\pm 5\%$ | $\pm 1\%$ | 240mV |
| EM1068XV | 72W | 18~24V | 0A | 3.78A | $\pm 5\%$ | $\pm 1\%$ | 360mV |
| EM1068XL | 72W | 32~42V | 0A | 2.25A | $\pm 5\%$ | $\pm 1\%$ | 630mV |
| EM1068XT | 72W | 44~56V | 0A | 1.63A | $\pm 5\%$ | $\pm 1\%$ | 840mV |

NOTE:

- 1 : Ripple & Noise is measured by using 20MHz bandwidth limited oscilloscope and terminated each output with a 0.1uF ceramic capacitor & parallel with 47uF aluminum capacitor at full load and nominal line.
- 2 : Line regulation is defined by changing $\pm 10\%$ of input voltage from nominal line at rated load.
- 3 : Max. Power (W) $\geq V_o \times I_o$

INPUT

- Input Range 100 to 240 VAC
- Frequency 50 to 60Hz
- Input Current $\leq 2A$
- Inrush Current $\leq 120A/230VAC$
- Hold Up Time $\geq 8.3ms$
- Turn On Time $\leq 3s$

PROTECTION

- Short Circuit Protection Auto Recovery
- Over Voltage Protection Latch-off / Auto Recovery
- Over Current Protection Auto Recovery
- Over Temperature Protection Optional

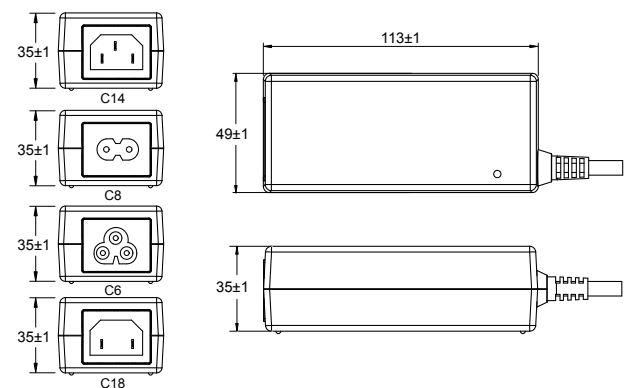
ENVIRONMENT

- Operating Temperature -20 to 40°C
- Storage Temperature -20 to 85°C
- Operating Humidity 10% to 90%
- Storage Humidity 5% to 95%

SAFETY

- Certified for whole series: ANSI/AAMI ES60601-1, CAN/CSA-C22.2 No. 60601-1, TUV EN 60601-1, CB IEC 60601-1, CE EMC(EN 60601-1-2) UL 62368-1, CAN/CSA C22.2 No. 62368-1, TUV EN 62368-1, CB IEC 62368-1, FCC Part 15B, CE EMC(EN 55032+EN 55035), UKCA
- Certified for assigned models: NRCAN

MECHANICAL



- Case Size: 113L x 49W x 35H (mm)
- AC Inlet: C14, C8, C6, C18
- Weight: 300g

Medical AC/DC Desktop Adaptor



Features

- 2 x MOPP Compliance, IEC/EN60601-1 Approval
- LED Indicator
- LPS Compliance
- Active PFC Function
- Protections:
 - Short circuit / Over voltage / Over current
 - Over temperature
- Energy Efficiency Level VI
- No Load Power Consumption ≤ 0.21 W
- MTBF > 100,000 hours

EM1095 X Y - vv PP

- X:** AC inlet: 1. C14 2. C8 3. C6 6. C18
- Y:** Output range
- vv:** Specified output voltage, i.e. 12 is 12VDC
- PP:** DC plug type, i.e. Code 01 for 5.5x2.1mm or other options (refer to the appendix page)

General Specification

OUTPUT

| MODEL No. | MAX. OUTPUT POWER (W) | OUTPUT VOLTAGE (Vo) | MIN. LOAD (Io) | MAX. LOAD (Io) | LOAD REGULATION | LINE REGULATION | RIPPLE & NOISE |
|-----------|-----------------------|---------------------|----------------|----------------|-----------------|-----------------|----------------|
| EM1095XC | 84W | 12~18V | 0A | 7A | $\pm 5\%$ | $\pm 1\%$ | 270mV |
| EM1095XD | 80W | 18~24V | 0A | 4.44A | $\pm 5\%$ | $\pm 1\%$ | 360mV |
| EM1095XE | 90W | 18~24V | 0A | 5A | $\pm 5\%$ | $\pm 1\%$ | 360mV |
| EM1095XF | 90W | 12~18V | 0A | 7.5A | $\pm 5\%$ | $\pm 1\%$ | 270mV |
| EM1095XG | 80W | 32~42V | 0A | 2.5A | $\pm 5\%$ | $\pm 1\%$ | 630mV |
| EM1095XH | 80W | 44~56V | 0A | 1.81A | $\pm 5\%$ | $\pm 1\%$ | 840mV |
| EM1095XJ | 90W | 32~42V | 0A | 2.81A | $\pm 5\%$ | $\pm 1\%$ | 630mV |
| EM1095XK | 90W | 44~56V | 0A | 2.04A | $\pm 5\%$ | $\pm 1\%$ | 840mV |
| EM1095XL | 100W | 32~42V | 0A | 3.12A | $\pm 5\%$ | $\pm 1\%$ | 630mV |
| EM1095XM | 100W | 44~56V | 0A | 2.27A | $\pm 5\%$ | $\pm 1\%$ | 840mV |

NOTE:

- 1 : Ripple & Noise is measured by using 20MHz bandwidth limited oscilloscope and terminated each output with a 0.1uF ceramic capacitor & parallel with 47uF aluminum capacitor at full load and nominal line.
- 2 : Line regulation is defined by changing $\pm 10\%$ of input voltage from nominal line at rated load.
- 3 : Max. Power (W) $\geq V_o \times I_o$

INPUT

- Input Range 100 to 240 VAC
- Frequency 50 to 60Hz
- Input Current ≤ 2.5 A
- Inrush Current ≤ 120 A/230VAC
- Hold Up Time ≥ 8.3 ms
- Turn On Time ≤ 3 s

PROTECTION

- Short Circuit Protection Auto Recovery
- Over Voltage Protection Auto Recovery
- Over Current Protection Auto Recovery
- Over Temperature Protection Latch-off

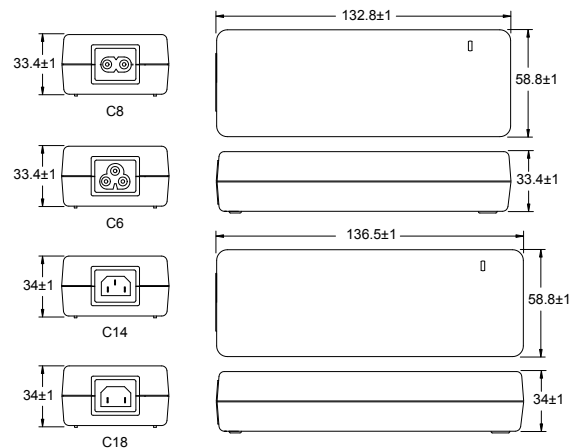
ENVIRONMENT

- Operating Temperature -20 to 40°C
- Storage Temperature -20 to 85°C
- Operating Humidity 10% to 90%
- Storage Humidity 5% to 95%

SAFETY

- Certified for whole series: ANSI/AAMI ES60601-1, CAN/CSA-C22.2 No. 60601-1, TUV EN 60601-1, CB IEC 60601-1, CE EMC(EN 60601-1-2) UL 62368-1, CAN/CSA C22.2 No. 62368-1, TUV EN 62368-1, CB IEC 62368-1, FCC Part 15B, CE EMC(EN 55032+EN 55035), UKCA
- Certified for assigned models: RCM, NRCAN

MECHANICAL



- Case Size: 132.8L x 58.8W x 33.4H (mm) for AC inlet C6, C8
- Case Size: 136.5L x 58.8W x 34H (mm) for AC inlet C14, C18
- Weight: 420g

Medical AC/DC Desktop Adaptor

Features

- 2 x MOPP Compliance, IEC/EN60601-1 Approval
- LED Indicator
- Active PFC Function
- Protections:
 - Short circuit / Over voltage / Over current
 - Over temperature
- Energy Efficiency Level VI
- No Load Power Consumption $\leq 0.21W$
- MTBF > 100,000 hours



EM1101 X Y - vv PP

- X:** AC inlet: 1. C14 2. C8 3. C6 6. C18
Y: Output range
vv: Specified output voltage, i.e. 12 is 12VDC
PP: DC plug type, i.e. Code 01 for 5.5x2.1mm or other options (refer to the appendix page)

General Specification

OUTPUT

| MODEL No. | MAX. OUTPUT POWER (W) | OUTPUT VOLTAGE (Vo) | MIN. LOAD (Io) | MAX. LOAD (Io) | LOAD REGULATION | LINE REGULATION | RIPPLE & NOISE |
|-----------|-----------------------|---------------------|----------------|----------------|-----------------|-----------------|----------------|
| EM1101XA | 80W | 12~16V | 0A | 6.66A | $\pm 5\%$ | $\pm 1\%$ | 240mV |
| EM1101XB | 90W | 12~16V | 0A | 7.5A | $\pm 5\%$ | $\pm 1\%$ | 240mV |
| EM1101XC | 90W | 19~24V | 0A | 4.73A | $\pm 5\%$ | $\pm 1\%$ | 360mV |
| EM1101XD | 100W | 12~16V | 0A | 8.33A | $\pm 5\%$ | $\pm 1\%$ | 240mV |
| EM1101XE | 100W | 19~24V | 0A | 5.26A | $\pm 5\%$ | $\pm 1\%$ | 360mV |
| EM1101XF | 110W | 12~16V | 0A | 9.16A | $\pm 5\%$ | $\pm 1\%$ | 240mV |
| EM1101XG | 110W | 19~24V | 0A | 5.78A | $\pm 5\%$ | $\pm 1\%$ | 360mV |
| EM1101XH | 120W | 12~16V | 0A | 10A | $\pm 5\%$ | $\pm 1\%$ | 240mV |
| EM1101XM | 120W | 19~24V | 0A | 6.31A | $\pm 5\%$ | $\pm 1\%$ | 360mV |
| EM1101XN | 100W | 48~56V | 0A | 2.08A | $\pm 5\%$ | $\pm 1\%$ | 840mV |
| EM1101XP | 130W | 48~56V | 0A | 2.7A | $\pm 5\%$ | $\pm 1\%$ | 840mV |

NOTE:

- 1 : Ripple & Noise is measured by using 20MHz bandwidth limited oscilloscope and terminated each output with a 0.1uF ceramic capacitor & parallel with 47uF aluminum capacitor at full load and nominal line.
- 2 : Line regulation is defined by changing $\pm 10\%$ of input voltage from nominal line at rated load.
- 3 : Max. Power (W) $\geq V_o \times I_o$

INPUT

- Input Range 100 to 240 VAC
- Frequency 50 to 60Hz
- Input Current $\leq 2A$
- Inrush Current $\leq 120A/230VAC$
- Hold Up Time $\geq 8.3ms$
- Turn On Time $\leq 3s$

PROTECTION

- Short Circuit Protection Auto Recovery
- Over Voltage Protection Latch-off
- Over Current Protection Auto Recovery
- Over Temperature Protection Latch-off

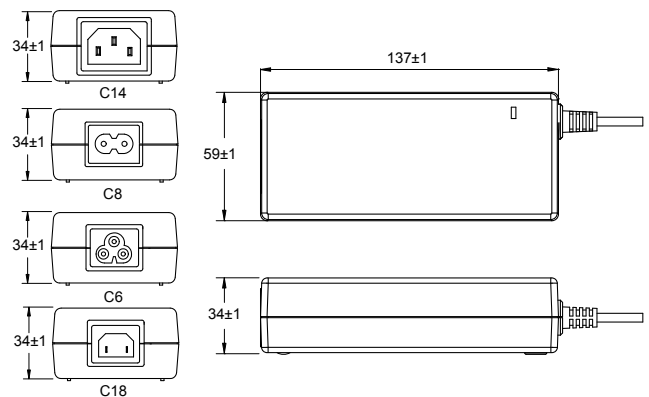
ENVIRONMENT

- Operating Temperature -20 to 40°C
- Storage Temperature -20 to 85°C
- Operating Humidity 10% to 90%
- Storage Humidity 5% to 95%

SAFETY

- Certified for whole series: ANSI/AAMI ES60601-1, CAN/CSA-C22.2 No. 60601-1, TUV EN 60601-1, CB IEC 60601-1, CE EMC(EN 60601-1-2) UL 62368-1, CAN/CSA C22.2 No. 62368-1, TUV EN 62368-1, CB IEC 62368-1, FCC Part 15B, CE EMC(EN 55032+EN 55035), UKCA
- Certified for assigned models: RCM, NRCAN

MECHANICAL



- Case Size: 137L x 59W x 34H (mm)
- AC Inlet: C14, C8, C6, C18
- Weight: 450g

Medical AC/DC Desktop Adaptor



Features

- 2 x MOPP Compliance, IEC/EN60601-1 Approval
- LED Indicator
- Active PFC Function
- Protections:
Short circuit / Over voltage / Over current
Over temperature
- Energy Efficiency Level VI
- No Load Power Consumption $\leq 0.21W$
- MTBF > 50,000 hours

EM1170 X Y - vv PP

- X:** AC inlet: 1. C14 2. C8 3. C6 6. C18
Y: Output range
vv: Specified output voltage, i.e. 12 is 12VDC
PP: DC plug type, i.e. Code O1 for 5.5x2.1mm or other options (refer to the appendix page)

General Specification

OUTPUT

| MODEL No. | MAX. OUTPUT POWER (W) | OUTPUT VOLTAGE (Vo) | MIN. LOAD (Io) | MAX. LOAD (Io) | LOAD REGULATION | LINE REGULATION | RIPPLE & NOISE |
|-----------|-----------------------|---------------------|----------------|----------------|-----------------|-----------------|----------------|
| EM1170XA | 130W | 12~16V | 0A | 10.83A | $\pm 5\%$ | $\pm 1\%$ | 240mV |
| EM1170XB | 130W | 19~24V | 0A | 6.84A | $\pm 5\%$ | $\pm 1\%$ | 360mV |
| EM1170XC | 140W | 12~16V | 0A | 11.66A | $\pm 5\%$ | $\pm 1\%$ | 240mV |
| EM1170XD | 140W | 19~24V | 0A | 7.36A | $\pm 5\%$ | $\pm 1\%$ | 360mV |
| EM1170XE | 150W | 12~16V | 0A | 12.5A | $\pm 5\%$ | $\pm 1\%$ | 240mV |
| EM1170XF | 150W | 19~24V | 0A | 7.89A | $\pm 5\%$ | $\pm 1\%$ | 360mV |
| EM1170XG | 150W | 32~42V | 0A | 4.68A | $\pm 5\%$ | $\pm 1\%$ | 630mV |
| EM1170XH | 150W | 44~56V | 0A | 3.12A | $\pm 5\%$ | $\pm 1\%$ | 840mV |
| EM1170XJ | 130W | 32~42V | 0A | 4.06A | $\pm 5\%$ | $\pm 1\%$ | 640mV |
| EM1170XK | 130W | 44~56V | 0A | 2.95A | $\pm 5\%$ | $\pm 1\%$ | 840mV |
| EM1170XM | 160W | 12~16V | 0A | 13.33A | $\pm 5\%$ | $\pm 1\%$ | 240mV |
| EM1170XN | 160W | 19~24V | 0A | 8.42A | $\pm 5\%$ | $\pm 1\%$ | 360mV |
| EM1170XP | 170W | 19~24V | 0A | 8.94A | $\pm 5\%$ | $\pm 1\%$ | 360mV |
| EM1170XQ | 180W | 19~24V | 0A | 9.47A | $\pm 5\%$ | $\pm 1\%$ | 360mV |
| EM1170XR | 180W | 32~42V | 0A | 5.62A | $\pm 5\%$ | $\pm 1\%$ | 630mV |
| EM1170XS | 180W | 44~56V | 0A | 3.75A | $\pm 5\%$ | $\pm 1\%$ | 840mV |

NOTE:

- 1 : Ripple & Noise is measured by using 20MHz bandwidth limited oscilloscope and terminated each output with a 0.1uF ceramic capacitor & parallel with 47uF aluminum capacitor at full load and nominal line.
- 2 : Line regulation is defined by changing $\pm 10\%$ of input voltage from nominal line at rated load.
- 3 : Max. Power (W) $\geq V_o \times I_o$

INPUT

- Input Range 100 to 240 VAC
- Frequency 50 to 60Hz
- Input Current $\leq 2.5A$
- Inrush Current $\leq 120A/230VAC$
- Hold Up Time $\geq 8.3ms$
- Turn On Time $\leq 3s$

PROTECTION

- Short Circuit Protection Auto Recovery
- Over Voltage Protection Latch-off
- Over Current Protection Auto Recovery
- Over Temperature Protection Latch-off

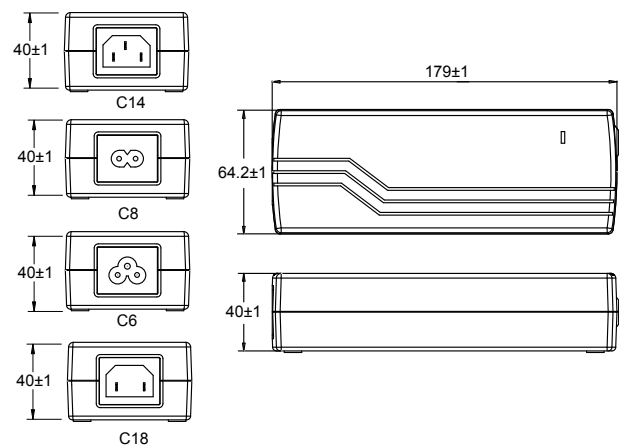
ENVIRONMENT

- Operating Temperature -20 to 40°C
- Storage Temperature -20 to 85°C
- Operating Humidity 10% to 90%
- Storage Humidity 5% to 95%

SAFETY

- Certified for whole series: ANSI/AAMI ES60601-1, CAN/CSA-C22.2 No. 60601-1, TUV EN 60601-1, CB IEC 60601-1, CE EMC(EN 60601-1-2) UL 62368-1, CAN/CSA C22.2 No. 62368-1, TUV EN 62368-1, CB IEC 62368-1, FCC Part 15B, CE EMC(EN 55032+EN 55035), UKCA
- Certified for assigned models: RCM, CU, NRCAN

MECHANICAL



- Case Size: 179L x 64.2W x 40H (mm)
- AC Inlet: C14, C8, C6, C18
- Weight: 705g

Medical AC/DC Desktop Adaptor

Features

- 2 x MOPP Compliance, IEC/EN60601-1 Approval
- LED Indicator
- Active PFC Function
- Protections:
 - Short circuit / Over voltage / Over current
 - Over temperature
- Energy Efficiency Level VI
- No Load Power Consumption $\leq 0.21W$
- MTBF > 50,000 hours



EM1250 X Y - vv PP

- X:** AC inlet: 1. C14 2. C8 3. C6 6. C18
Y: Output range
vv: Specified output voltage, i.e. 12 is 12VDC
PP: DC plug type, i.e. Code 01 for 5.5x2.1mm or other options (refer to the appendix page)

General Specification

OUTPUT

| MODEL No. | MAX. OUTPUT POWER (W) | OUTPUT VOLTAGE (Vo) | MIN. LOAD (Io) | MAX. LOAD (Io) | LOAD REGULATION | LINE REGULATION | RIPPLE & NOISE |
|-----------|-----------------------|---------------------|----------------|----------------|-----------------|-----------------|----------------|
| EM1250XA | 160W | 12~18V | 0A | 13.33A | $\pm 5\%$ | $\pm 1\%$ | 300mV |
| EM1250XB | 180W | 12~18V | 0A | 15A | $\pm 5\%$ | $\pm 1\%$ | 300mV |
| EM1250XC | 180W | 19~28V | 0A | 9.47A | $\pm 5\%$ | $\pm 1\%$ | 350mV |
| EM1250XD | 200W | 12~18V | 0A | 16.66A | $\pm 5\%$ | $\pm 1\%$ | 300mV |
| EM1250XE | 200W | 19~28V | 0A | 10.52A | $\pm 5\%$ | $\pm 1\%$ | 350mV |
| EM1250XF | 200W | 32~42V | 0A | 6.25A | $\pm 5\%$ | $\pm 1\%$ | 450mV |
| EM1250XG | 200W | 44~56V | 0A | 4.54A | $\pm 5\%$ | $\pm 1\%$ | 600mV |
| EM1250XH | 220W | 12~18V | 0A | 18.33A | $\pm 5\%$ | $\pm 1\%$ | 300mV |
| EM1250XJ | 220W | 19~28V | 0A | 11.57A | $\pm 5\%$ | $\pm 1\%$ | 350mV |
| EM1250XK | 220W | 32~42V | 0A | 6.87A | $\pm 5\%$ | $\pm 1\%$ | 450mV |
| EM1250XL | 220W | 44~56V | 0A | 5A | $\pm 5\%$ | $\pm 1\%$ | 600mV |
| EM1250XM | 230W | 19~28V | 0A | 12.1A | $\pm 5\%$ | $\pm 1\%$ | 350mV |
| EM1250XN | 230W | 32~42V | 0A | 7.18A | $\pm 5\%$ | $\pm 1\%$ | 450mV |
| EM1250XP | 230W | 44~56V | 0A | 5.22A | $\pm 5\%$ | $\pm 1\%$ | 600mV |
| EM1250XQ | 250W | 19~28V | 0A | 13.15A | $\pm 5\%$ | $\pm 1\%$ | 350mV |
| EM1250XR | 250W | 32~42V | 0A | 7.81A | $\pm 5\%$ | $\pm 1\%$ | 450mV |
| EM1250XS | 250W | 44~56V | 0A | 5.68A | $\pm 5\%$ | $\pm 1\%$ | 600mV |

NOTE:

- 1 : Ripple & Noise is measured by using 20MHz bandwidth limited oscilloscope and terminated each output with a 0.1uF ceramic capacitor & parallel with 47uF aluminum capacitor at full load and nominal line.
- 2 : Line regulation is defined by changing $\pm 10\%$ of input voltage from nominal line at rated load.
- 3 : Max. Power (W) $\geq V_o \times I_o$

INPUT

- Input Range: 100 to 240 VAC
- Frequency: 50 to 60Hz
- Input Current: 3.5A to 2.5A
- Inrush Current: $\leq 140A/230VAC$
- Hold Up Time: $\geq 8.3ms$
- Turn On Time: $\leq 3s$

PROTECTION

- Short Circuit Protection: Auto Recovery
- Over Voltage Protection: Latch-off
- Over Current Protection: Auto Recovery
- Over Temperature Protection: Latch-off

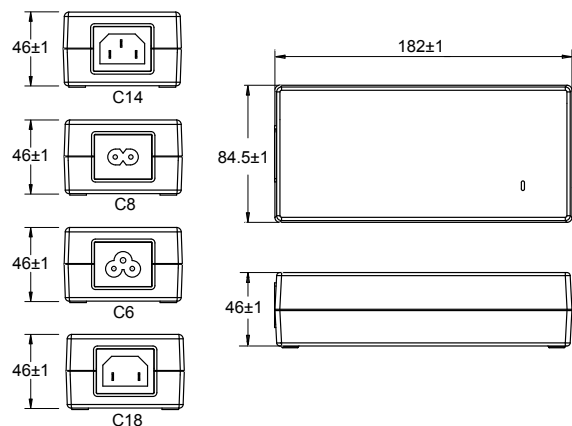
ENVIRONMENT

- Operating Temperature: -20 to 40°C
- Storage Temperature: -20 to 85°C
- Operating Humidity: 10% to 90%
- Storage Humidity: 5% to 95%

SAFETY

- Certified for whole series: ANSI/AAMI ES60601-1, CAN/CSA-C22.2 No. 60601-1, TUV EN 60601-1, CB IEC 60601-1, CE EMC(EN 60601-1-2) TUV EN 62368-1, CB IEC 62368-1, FCC Part 15B
- Certified for assigned models: NRCAN

MECHANICAL



- Case Size: 182L x 84.5W x 46H (mm)
- AC Inlet: C14, C8, C6, C18
- Weight: 1000g

Medical AC/DC Desktop Adaptor



Features

- 2 x MOPP Compliance, IEC/EN60601-1 Approval
- LED Indicator
- Active PFC Function
- Protections:
 - Short circuit / Over voltage / Over current
 - Over temperature
- Energy Efficiency Level VI
- No Load Power Consumption ≤ 0.21 W
- MTBF > 50,000 hours

EM1300 X Y - vv PP

- X:** AC inlet: 1. C14 2. C8 3. C6 6. C18
Y: Output range
vv: Specified output voltage, i.e. 12 is 12VDC
PP: DC plug type, i.e. Code 01 for 5.5x2.1mm or other options (refer to the appendix page)

General Specification

OUTPUT

| MODEL No. | MAX. OUTPUT POWER (W) | OUTPUT VOLTAGE (Vo) | MIN. LOAD (Io) | MAX. LOAD (Io) | LOAD REGULATION | LINE REGULATION | RIPPLE & NOISE |
|-----------|-----------------------|---------------------|----------------|----------------|-----------------|-----------------|----------------|
| EM1300XA | 230W | 12~18V | 0A | 19.16A | $\pm 5\%$ | $\pm 1\%$ | 240mV |
| EM1300XB | 240W | 12~18V | 0A | 20A | $\pm 5\%$ | $\pm 1\%$ | 240mV |
| EM1300XC | 250.2W | 12~18V | 0A | 20.85A | $\pm 5\%$ | $\pm 1\%$ | 240mV |
| EM1300XD | 260W | 19~28V | 0A | 13.68A | $\pm 5\%$ | $\pm 1\%$ | 360mV |
| EM1300XE | 270W | 19~28V | 0A | 14.21A | $\pm 5\%$ | $\pm 1\%$ | 360mV |
| EM1300XF | 270W | 32~42V | 0A | 8.43A | $\pm 5\%$ | $\pm 1\%$ | 630mV |
| EM1300XG | 270W | 44~56V | 0A | 6.13A | $\pm 5\%$ | $\pm 1\%$ | 840mV |
| EM1300XH | 280W | 19~28V | 0A | 14.73A | $\pm 5\%$ | $\pm 1\%$ | 360mV |
| EM1300XM | 290W | 19~28V | 0A | 15.26A | $\pm 5\%$ | $\pm 1\%$ | 360mV |
| EM1300XN | 300W | 19~28V | 0A | 15.78A | $\pm 5\%$ | $\pm 1\%$ | 360mV |
| EM1300XP | 310W | 32~42V | 0A | 9.68A | $\pm 5\%$ | $\pm 1\%$ | 630mV |
| EM1300XQ | 310W | 44~56V | 0A | 7.04A | $\pm 5\%$ | $\pm 1\%$ | 840mV |

NOTE:

- 1 : Ripple & Noise is measured by using 20MHz bandwidth limited oscilloscope and terminated each output with a 0.1uF ceramic capacitor & parallel with 47uF aluminum capacitor at full load and nominal line.
- 2 : Line regulation is defined by changing $\pm 10\%$ of input voltage from nominal line at rated load.
- 3 : Max. Power (W) $\geq V_o \times I_o$

INPUT

- Input Range: 100 to 240 VAC
- Frequency: 50 to 60Hz
- Input Current: 5A to 2.5A
- Inrush Current: $\leq 140A/230VAC$
- Hold Up Time: $\geq 8.3ms$
- Turn On Time: $\leq 3s$

PROTECTION

- Short Circuit Protection: Auto Recovery
- Over Voltage Protection: Latch-off
- Over Current Protection: Auto Recovery
- Over Temperature Protection: Latch-off

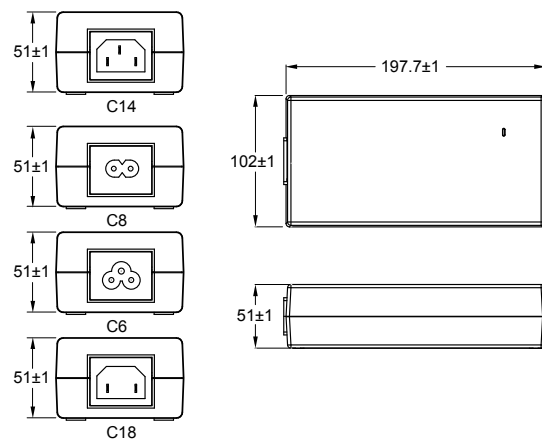
ENVIRONMENT

- Operating Temperature: -20 to 40°C
- Storage Temperature: -20 to 85°C
- Operating Humidity: 10% to 90%
- Storage Humidity: 5% to 95%

SAFETY

- Certified for whole series: ANSI/AAMI ES60601-1, CAN/CSA-C22.2 No. 60601-1, TUV EN 60601-1, CB IEC 60601-1, CE EMC(EN 60601-1-2) FCC Part 15B, CE EMC(EN 55032+EN 55035)

MECHANICAL



- Case Size: 197.7L x 102W x 51H (mm)
- AC Inlet: C14, C8, C6, C18
- Weight: 1350g

A blue geometric background on the left side of the page, featuring a laptop and a game controller. The text is positioned to the right of this graphic.

▶ PD Charger (USB Type-C)

- IEC/EN/UL 62368-1 Compliance
- Universal Input 100-240VAC
- Wall mounted/Desktop types
- USB Power Delivery Function
- Multiple Protections
 - Energy Efficiency Level VI

PD Charger (USB Type-C)



Features

- USB Power Delivery Function
- LED Indicator
- Protections:
 - Short circuit / Over voltage / Over current
 - Over temperature (optional)
- Energy Efficiency Level VI
- No Load Power Consumption $\leq 0.1W$
- MTBF > 100,000 hours

EA1045 X Y - PP

X: Output range

Y: AC inlet: 1. C14 2. C8 3. C6 6. C18

PP: DC plug Code 92 for USB Type-C

General Specification

OUTPUT

| MODEL No. | MAX. OUTPUT POWER (W) | OUTPUT VOLTAGE (Vo) | MIN. LOAD (Io) | MAX. LOAD (Io) | LOAD REGULATION | LINE REGULATION | RIPPLE & NOISE |
|-----------|-----------------------|---------------------|----------------|----------------|-----------------|-----------------|----------------|
| EA1045AY | 30W | 5V | 0A | 3A | $\pm 5\%$ | $\pm 1\%$ | 100mV |
| | | 9V | 0A | 3A | $\pm 5\%$ | $\pm 1\%$ | 180mV |
| | | 15V | 0A | 2A | $\pm 5\%$ | $\pm 1\%$ | 300mV |
| | | 20V | 0A | 1.5A | $\pm 5\%$ | $\pm 1\%$ | 360mV |
| EA1045BY | 36W | 5V | 0A | 3A | $\pm 5\%$ | $\pm 1\%$ | 100mV |
| | | 9V | 0A | 3A | $\pm 5\%$ | $\pm 1\%$ | 180mV |
| | | 15V | 0A | 2.4A | $\pm 5\%$ | $\pm 1\%$ | 300mV |
| | | 20V | 0A | 1.8A | $\pm 5\%$ | $\pm 1\%$ | 360mV |
| EA1045CY | 45W | 5V | 0A | 3A | $\pm 5\%$ | $\pm 1\%$ | 100mV |
| | | 9V | 0A | 3A | $\pm 5\%$ | $\pm 1\%$ | 180mV |
| | | 15V | 0A | 3A | $\pm 5\%$ | $\pm 1\%$ | 300mV |
| | | 20V | 0A | 2.25A | $\pm 5\%$ | $\pm 1\%$ | 360mV |
| EA1045DY | 30W | 5V | 0A | 3A | $\pm 5\%$ | $\pm 1\%$ | 100mV |
| | | 9V | 0A | 3A | $\pm 5\%$ | $\pm 1\%$ | 180mV |
| | | 12V | 0A | 2.5A | $\pm 5\%$ | $\pm 1\%$ | 200mV |
| | | 15V | 0A | 2A | $\pm 5\%$ | $\pm 1\%$ | 300mV |
| EA1045EY | 36W | 20V | 0A | 1.5A | $\pm 5\%$ | $\pm 1\%$ | 360mV |
| | | 5V | 0A | 3A | $\pm 5\%$ | $\pm 1\%$ | 100mV |
| | | 9V | 0A | 3A | $\pm 5\%$ | $\pm 1\%$ | 180mV |
| | | 12V | 0A | 3A | $\pm 5\%$ | $\pm 1\%$ | 200mV |
| EA1045FY | 45W | 15V | 0A | 2.4A | $\pm 5\%$ | $\pm 1\%$ | 300mV |
| | | 20V | 0A | 1.8A | $\pm 5\%$ | $\pm 1\%$ | 360mV |
| | | 5V | 0A | 3A | $\pm 5\%$ | $\pm 1\%$ | 100mV |
| | | 9V | 0A | 3A | $\pm 5\%$ | $\pm 1\%$ | 180mV |
| | | 12V | 0A | 3A | $\pm 5\%$ | $\pm 1\%$ | 200mV |
| | | 15V | 0A | 3A | $\pm 5\%$ | $\pm 1\%$ | 300mV |
| | | 20V | 0A | 2.25A | $\pm 5\%$ | $\pm 1\%$ | 360mV |
| | | 20V | 0A | 2.25A | $\pm 5\%$ | $\pm 1\%$ | 360mV |

NOTE:

- 1 : Ripple & Noise is measured by using 20MHz bandwidth limited oscilloscope and terminated each output with a 0.1uF ceramic capacitor & parallel with 47uF aluminum capacitor at full load and nominal line.
- 2 : Line regulation is defined by changing $\pm 10\%$ of input voltage from nominal line at rated load.
- 3 : Max. Power (W) $\geq V_o \times I_o$

INPUT

- Input Range: 100 to 240 VAC
- Frequency: 50 to 60Hz
- Input Current: $\leq 1.5A$
- Inrush Current: $\leq 100A/230VAC$
- Hold Up Time: $\geq 8.3ms$
- Turn On Time: $\leq 3s$

PROTECTION

- Short Circuit Protection: Auto Recovery
- Over Voltage Protection: Auto Recovery
- Over Current Protection: Auto Recovery
- Over Temperature Protection: Auto Recovery or Latch-off (optional)

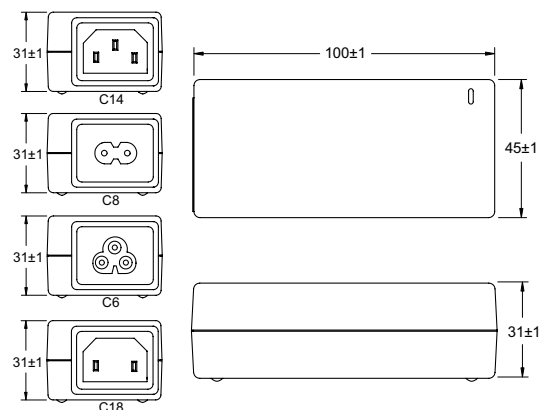
ENVIRONMENT

- Operating Temperature: -20 to $40^\circ C$
- Storage Temperature: -20 to $85^\circ C$
- Operating Humidity: 10% to 90%
- Storage Humidity: 5% to 95%

SAFETY

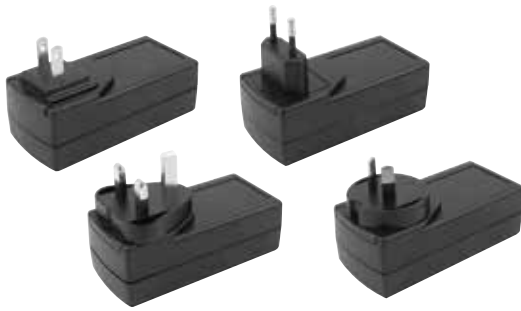
- Certified for whole series: UL/cUL 60950-1, TUV EN 60950-1/EN 62368-1, CB IEC 60950-1, FCC Part 15B, Complied with CE EMC(EN 55032+EN 55035)
- Certified for assigned models: CCC, PSE

MECHANICAL



- Case Size: 100L x 45W x 31H (mm)
- AC Inlet: C14, C8, C6, C18
- Weight: 200g

PD Charger (USB Type-C)



Features

- USB Power Delivery Function
- LED Indicator
- Protections:
 - Short circuit / Over voltage / Over current
 - Over temperature (optional)
- Energy Efficiency Level VI
- No Load Power Consumption $\leq 0.1W$
- MTBF > 100,000 hours

EA1045 X Y - PP

- X:** Output range
Y: AC plug type: • U: USA • E: EU • K: UK • A: SAA
PP: DC plug Code 92 for USB Type-C

General Specification

OUTPUT

| MODEL No. | MAX. OUTPUT POWER (W) | OUTPUT VOLTAGE (Vo) | MIN. LOAD (Io) | MAX. LOAD (Io) | LOAD REGULATION | LINE REGULATION | RIPPLE & NOISE |
|-----------|-----------------------|---------------------|----------------|----------------|-----------------|-----------------|----------------|
| EA1045AY | 30W | 5V | 0A | 3A | $\pm 5\%$ | $\pm 1\%$ | 100mV |
| | | 9V | 0A | 3A | $\pm 5\%$ | $\pm 1\%$ | 180mV |
| | | 15V | 0A | 2A | $\pm 5\%$ | $\pm 1\%$ | 300mV |
| | | 20V | 0A | 1.5A | $\pm 5\%$ | $\pm 1\%$ | 360mV |
| EA1045BY | 36W | 5V | 0A | 3A | $\pm 5\%$ | $\pm 1\%$ | 100mV |
| | | 9V | 0A | 3A | $\pm 5\%$ | $\pm 1\%$ | 180mV |
| | | 15V | 0A | 2.4A | $\pm 5\%$ | $\pm 1\%$ | 300mV |
| | | 20V | 0A | 1.8A | $\pm 5\%$ | $\pm 1\%$ | 360mV |
| EA1045CY | 45W | 5V | 0A | 3A | $\pm 5\%$ | $\pm 1\%$ | 100mV |
| | | 9V | 0A | 3A | $\pm 5\%$ | $\pm 1\%$ | 180mV |
| | | 15V | 0A | 3A | $\pm 5\%$ | $\pm 1\%$ | 300mV |
| | | 20V | 0A | 2.25A | $\pm 5\%$ | $\pm 1\%$ | 360mV |
| EA1045DY | 30W | 5V | 0A | 3A | $\pm 5\%$ | $\pm 1\%$ | 100mV |
| | | 9V | 0A | 3A | $\pm 5\%$ | $\pm 1\%$ | 180mV |
| | | 12V | 0A | 2.5A | $\pm 5\%$ | $\pm 1\%$ | 200mV |
| | | 15V | 0A | 2A | $\pm 5\%$ | $\pm 1\%$ | 300mV |
| EA1045EY | 36W | 5V | 0A | 3A | $\pm 5\%$ | $\pm 1\%$ | 100mV |
| | | 9V | 0A | 3A | $\pm 5\%$ | $\pm 1\%$ | 180mV |
| | | 12V | 0A | 3A | $\pm 5\%$ | $\pm 1\%$ | 200mV |
| | | 15V | 0A | 2.4A | $\pm 5\%$ | $\pm 1\%$ | 300mV |
| EA1045FY | 45W | 5V | 0A | 3A | $\pm 5\%$ | $\pm 1\%$ | 100mV |
| | | 9V | 0A | 3A | $\pm 5\%$ | $\pm 1\%$ | 180mV |
| | | 12V | 0A | 3A | $\pm 5\%$ | $\pm 1\%$ | 200mV |
| | | 15V | 0A | 3A | $\pm 5\%$ | $\pm 1\%$ | 300mV |
| | | 20V | 0A | 2.25A | $\pm 5\%$ | $\pm 1\%$ | 360mV |

NOTE:

- 1 : Ripple & Noise is measured by using 20MHz bandwidth limited oscilloscope and terminated each output with a 0.1uF ceramic capacitor & parallel with 47uF aluminum capacitor at full load and nominal line.
- 2 : Line regulation is defined by changing $\pm 10\%$ of input voltage from nominal line at rated load.
- 3 : Max. Power (W) $\geq V_o \times I_o$

INPUT

- Input Range: 100 to 240 VAC
- Frequency: 50 to 60Hz
- Input Current: $\leq 1.5A$
- Inrush Current: $\leq 100A/230VAC$
- Hold Up Time: $\geq 8.3ms$
- Turn On Time: $\leq 3s$

PROTECTION

- Short Circuit Protection: Auto Recovery
- Over Voltage Protection: Auto Recovery
- Over Current Protection: Auto Recovery
- Over Temperature Protection: Auto Recovery or Latch-off (optional)

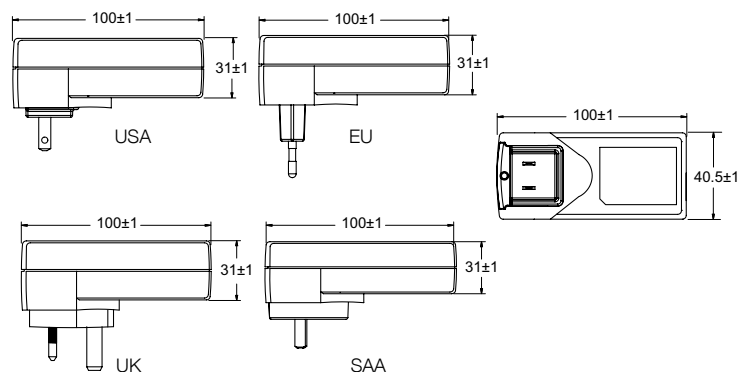
ENVIRONMENT

- Operating Temperature: -20 to 40°C
- Storage Temperature: -20 to 85°C
- Operating Humidity: 10% to 90%
- Storage Humidity: 5% to 95%

SAFETY

- Certified for whole series: UL/cUL 60950-1, TUV EN 60950-1/EN 62368-1, CB IEC 60950-1, FCC Part 15B, Complied with CE EMC(EN 55032+EN 55035)

MECHANICAL



- Case Size: 100L x 40.5W x 31H (mm)
- AC Plug: U: USA, E: EU, K: UK, A: SAA
- Weight: 220g

PD Charger (USB Type-C)



Features

- USB Power Delivery Function
- LED Indicator
- Protections: Short circuit / Over voltage / Over current / Over temperature (optional)
- Energy Efficiency Level VI
- No Load Power Consumption $\leq 0.1W$
- MTBF > 100,000 hours

EA1045 X R - PP

- X:** Output range
R: Interchangeable AC plug:
 • U: USA • E: EU • K: UK • A: SAA • C: China
 • S: South Africa • B: Korea • I: India
PP: DC plug Code 92 for USB Type-C

General Specification

OUTPUT

| MODEL No. | MAX. OUTPUT POWER (W) | OUTPUT VOLTAGE (Vo) | MIN. LOAD (Io) | MAX. LOAD (Io) | LOAD REGULATION | LINE REGULATION | RIPPLE & NOISE |
|-----------|-----------------------|---------------------|----------------|----------------|-----------------|-----------------|----------------|
| EA1045AR | 30W | 5V | 0A | 3A | $\pm 5\%$ | $\pm 1\%$ | 100mV |
| | | 9V | 0A | 3A | $\pm 5\%$ | $\pm 1\%$ | 180mV |
| | | 15V | 0A | 2A | $\pm 5\%$ | $\pm 1\%$ | 300mV |
| | | 20V | 0A | 1.5A | $\pm 5\%$ | $\pm 1\%$ | 360mV |
| EA1045BR | 36W | 5V | 0A | 3A | $\pm 5\%$ | $\pm 1\%$ | 100mV |
| | | 9V | 0A | 3A | $\pm 5\%$ | $\pm 1\%$ | 180mV |
| | | 15V | 0A | 2.4A | $\pm 5\%$ | $\pm 1\%$ | 300mV |
| | | 20V | 0A | 1.8A | $\pm 5\%$ | $\pm 1\%$ | 360mV |
| EA1045CR | 45W | 5V | 0A | 3A | $\pm 5\%$ | $\pm 1\%$ | 100mV |
| | | 9V | 0A | 3A | $\pm 5\%$ | $\pm 1\%$ | 180mV |
| | | 15V | 0A | 3A | $\pm 5\%$ | $\pm 1\%$ | 300mV |
| | | 20V | 0A | 2.25A | $\pm 5\%$ | $\pm 1\%$ | 360mV |
| EA1045DR | 30W | 5V | 0A | 3A | $\pm 5\%$ | $\pm 1\%$ | 100mV |
| | | 9V | 0A | 3A | $\pm 5\%$ | $\pm 1\%$ | 180mV |
| | | 12V | 0A | 2.5A | $\pm 5\%$ | $\pm 1\%$ | 200mV |
| | | 15V | 0A | 2A | $\pm 5\%$ | $\pm 1\%$ | 300mV |
| | | 20V | 0A | 1.5A | $\pm 5\%$ | $\pm 1\%$ | 360mV |
| EA1045ER | 36W | 5V | 0A | 3A | $\pm 5\%$ | $\pm 1\%$ | 100mV |
| | | 9V | 0A | 3A | $\pm 5\%$ | $\pm 1\%$ | 180mV |
| | | 12V | 0A | 3A | $\pm 5\%$ | $\pm 1\%$ | 200mV |
| | | 15V | 0A | 2.4A | $\pm 5\%$ | $\pm 1\%$ | 300mV |
| | | 20V | 0A | 1.8A | $\pm 5\%$ | $\pm 1\%$ | 360mV |
| EA1045FR | 45W | 5V | 0A | 3A | $\pm 5\%$ | $\pm 1\%$ | 100mV |
| | | 9V | 0A | 3A | $\pm 5\%$ | $\pm 1\%$ | 180mV |
| | | 12V | 0A | 3A | $\pm 5\%$ | $\pm 1\%$ | 200mV |
| | | 15V | 0A | 3A | $\pm 5\%$ | $\pm 1\%$ | 300mV |
| | | 20V | 0A | 2.25A | $\pm 5\%$ | $\pm 1\%$ | 360mV |

NOTE:

- 1 : Ripple & Noise is measured by using 20MHz bandwidth limited oscilloscope and terminated each output with a 0.1uF ceramic capacitor & parallel with 47uF aluminum capacitor at full load and nominal line.
- 2 : Line regulation is defined by changing $\pm 10\%$ of input voltage from nominal line at rated load.
- 3 : Max. Power (W) $\geq V_o \times I_o$

INPUT

- Input Range: 100 to 240 VAC
- Frequency: 50 to 60Hz
- Input Current: $\leq 1.5A$
- Inrush Current: $\leq 100A/230VAC$
- Hold Up Time: $\geq 8.3ms$
- Turn On Time: $\leq 3s$

PROTECTION

- Short Circuit Protection: Auto Recovery
- Over Voltage Protection: Auto Recovery
- Over Current Protection: Auto Recovery
- Over Temperature Protection: Auto Recovery or Latch-off (optional)

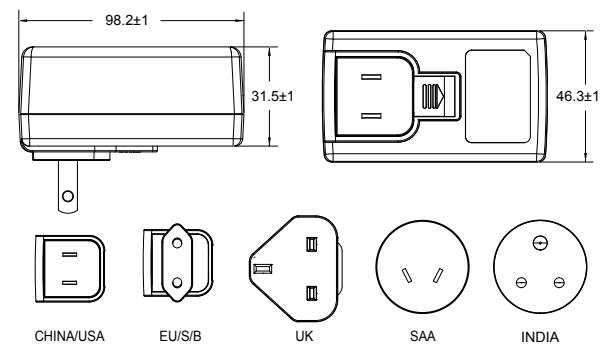
ENVIRONMENT

- Operating Temperature: -20 to 40°C
- Storage Temperature: -20 to 85°C
- Operating Humidity: 10% to 90%
- Storage Humidity: 5% to 95%

SAFETY

- Certified for whole series: UL/cUL 60950-1, TUV EN 60950-1/EN 62368-1, CB IEC 60950-1, FCC Part 15B, Complied with CE EMC(EN 55032+EN 55035)

MECHANICAL



- Case Size: 98.2L x 46.3W x 31.5H (mm)
- AC Plug: U: USA, E: EU, K: UK, A: SAA, C: China
S: South Africa, B: Korea, I: India
- Weight: 200g

PD Charger (USB Type-C)



Features

- USB Power Delivery Function
- LED Indicator
- Protections:
 - Short circuit / Over voltage / Over current
 - Over temperature (optional)
- Energy Efficiency Level VI
- No Load Power Consumption $\leq 0.1W$
- MTBF > 100,000 hours

EA1045S X R - PP

- X:** Output range
R: Interchangeable AC plug:
 • U: USA • E: EU • K: UK • A: SAA • C: China
 • S: South Africa • B: Korea • I: India
PP: DC plug Code 92 for USB Type-C

General Specification

OUTPUT

| MODEL No. | MAX. OUTPUT POWER (W) | OUTPUT VOLTAGE (Vo) | MIN. LOAD (Io) | MAX. LOAD (Io) | LOAD REGULATION | LINE REGULATION | RIPPLE & NOISE |
|-----------|-----------------------|---------------------|----------------|----------------|-----------------|-----------------|----------------|
| EA1045SAR | 30W | 5V | 0A | 3A | $\pm 5\%$ | $\pm 1\%$ | 100mV |
| | | 9V | 0A | 3A | $\pm 5\%$ | $\pm 1\%$ | 180mV |
| | | 12V | 0A | 2.5A | $\pm 5\%$ | $\pm 1\%$ | 200mV |
| | | 15V | 0A | 2A | $\pm 5\%$ | $\pm 1\%$ | 300mV |
| EA1045SBR | 36W | 5V | 0A | 3A | $\pm 5\%$ | $\pm 1\%$ | 100mV |
| | | 9V | 0A | 3A | $\pm 5\%$ | $\pm 1\%$ | 180mV |
| | | 12V | 0A | 3A | $\pm 5\%$ | $\pm 1\%$ | 200mV |
| | | 15V | 0A | 2.4A | $\pm 5\%$ | $\pm 1\%$ | 300mV |
| EA1045SCR | 45W | 5V | 0A | 3A | $\pm 5\%$ | $\pm 1\%$ | 100mV |
| | | 9V | 0A | 3A | $\pm 5\%$ | $\pm 1\%$ | 180mV |
| | | 12V | 0A | 3A | $\pm 5\%$ | $\pm 1\%$ | 200mV |
| | | 15V | 0A | 3A | $\pm 5\%$ | $\pm 1\%$ | 300mV |
| | | 20V | 0A | 2.25A | $\pm 5\%$ | $\pm 1\%$ | 360mV |

NOTE:

- 1 : Ripple & Noise is measured by using 20MHz bandwidth limited oscilloscope and terminated each output with a 0.1uF ceramic capacitor & parallel with 47uF aluminum capacitor at full load and nominal line.
- 2 : Line regulation is defined by changing $\pm 10\%$ of input voltage from nominal line at rated load.
- 3 : Max. Power (W) $\geq V_o \times I_o$

INPUT

- Input Range: 100 to 240 VAC
- Frequency: 50 to 60Hz
- Input Current: $\leq 1.5A$
- Inrush Current: $\leq 100A/230VAC$
- Hold Up Time: $\geq 8.3ms$
- Turn On Time: $\leq 3s$

PROTECTION

- Short Circuit Protection: Auto Recovery
- Over Voltage Protection: Auto Recovery
- Over Current Protection: Auto Recovery
- Over Temperature Protection: Auto Recovery or Latch-off (optional)

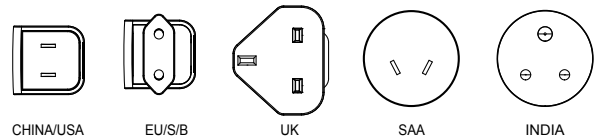
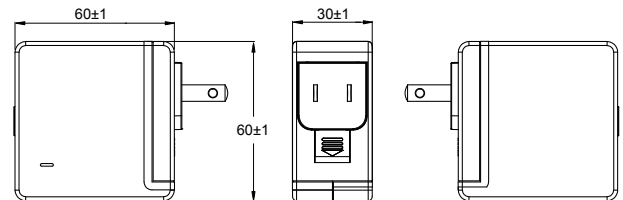
ENVIRONMENT

- Operating Temperature: -20 to 40°C
- Storage Temperature: -20 to 85°C
- Operating Humidity: 10% to 90%
- Storage Humidity: 5% to 95%

SAFETY

- Certified for whole series: UL 62368-1, CAN/CSA C22.2 No. 62368-1, TUV EN 62368-1, CB IEC 62368-1, FCC Part 15B, CE EMC(EN 55032+EN 55035), CCC, BSMI, UKCA
- Certified for assigned models: PSE, BIS, CU, PSB

MECHANICAL



- Case Size: 60L x 60W x 30H (mm)
- AC Plug: U: USA, E: EU, K: UK, A: SAA, C: China
S: South Africa, B: Korea, I: India
- Weight: 190g

PD Charger (USB Type-C)



Features

- USB Power Delivery Function
- LED Indicator
- LPS compliance
- Protections:
 - Short circuit / Over voltage / Over current
 - Over temperature (optional)
- Energy Efficiency Level VI
- No Load Power Consumption $\leq 0.21W$
- MTBF > 100,000 hours

EA1062 X Y - PP

X: AC inlet: 1. C14 2. C8 3. C6 6. C18

Y: Output range

PP: DC plug Code 92 for USB Type-C

General Specification

OUTPUT

| MODEL No. | MAX. OUTPUT POWER (W) | OUTPUT VOLTAGE (Vo) | MIN. LOAD (Io) | MAX. LOAD (Io) | LOAD REGULATION | LINE REGULATION | RIPPLE & NOISE |
|-----------|-----------------------|---------------------|----------------|----------------|-----------------|-----------------|----------------|
| EA1062XY | 60W | 5V | 0A | 3A | $\pm 5\%$ | $\pm 1\%$ | 100mV |
| | | 9V | | | | | 180mV |
| | | 15V | | | | | 300mV |
| | | 20V | | | | | 360mV |

NOTE:

- 1 : Ripple & Noise is measured by using 20MHz bandwidth limited oscilloscope and terminated each output with a 0.1uF ceramic capacitor & parallel with 47uF aluminum capacitor at full load and nominal line.
- 2 : Line regulation is defined by changing $\pm 10\%$ of input voltage from nominal line at rated load.
- 3 : Max. Power (W) $\geq V_o \times I_o$

INPUT

- Input Range: 100 to 240 VAC
- Frequency: 50 to 60Hz
- Input Current: $\leq 2.5A$
- Inrush Current: $\leq 100A/230VAC$
- Hold Up Time: $\geq 8.3ms$
- Turn On Time: $\leq 3s$

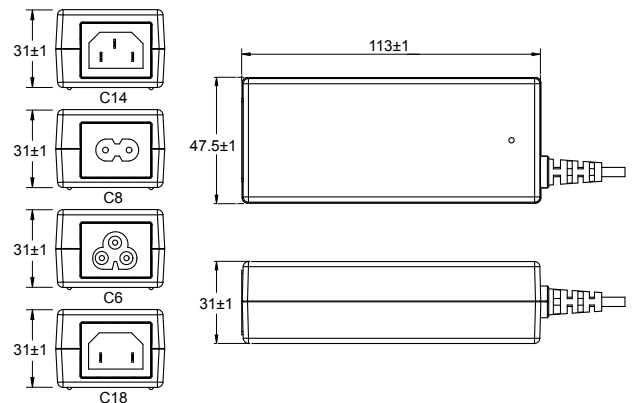
PROTECTION

- Short Circuit Protection: Auto Recovery
- Over Voltage Protection: Auto Recovery
- Over Current Protection: Auto Recovery
- Over Temperature Protection: Optional

ENVIRONMENT

- Operating Temperature: -20 to 40°C
- Storage Temperature: -20 to 85°C
- Operating Humidity: 10% to 90%
- Storage Humidity: 5% to 95%

MECHANICAL



- Case Size: 113L x 47.5W x 31H (mm)
- AC Inlet: C14, C8, C6, C18
- Weight: 300g

SAFETY

- Certified for whole series: UL/cUL 60950-1, TUV EN 60950-1, CB IEC 60950-1, FCC, CE
- Certified for assigned models: CCC

PD Charger (USB Type-C)



Features

- USB Power Delivery Function
- LED Indicator
- LPS Compliance
- Protections:
 - Short circuit / Over voltage / Over current
 - Over temperature (optional)
- Energy Efficiency Level VI
- No Load Power Consumption $\leq 0.21W$
- MTBF > 100,000 hours

EA1062S X R - PP

- X:** Output range
R: Interchangeable AC plug:
 • U: USA • E: EU • K: UK • A: SAA • C: China
 • S: South Africa • B: Korea • I: India
PP: DC plug code 92 for USB Type-C

General Specification

OUTPUT

| MODEL No. | MAX. OUTPUT POWER (W) | OUTPUT VOLTAGE (Vo) | MIN. LOAD (Io) | MAX. LOAD (Io) | LOAD REGULATION | LINE REGULATION | RIPPLE & NOISE |
|-----------|-----------------------|---------------------|----------------|----------------|-----------------|-----------------|----------------|
| EA1062SAR | 65W | 5V | 0A | 3A | $\pm 5\%$ | $\pm 1\%$ | 100mV |
| | | 9V | 0A | 3A | $\pm 5\%$ | $\pm 1\%$ | 180mV |
| | | 12V | 0A | 3A | $\pm 5\%$ | $\pm 1\%$ | 240mV |
| | | 15V | 0A | 3A | $\pm 5\%$ | $\pm 1\%$ | 300mV |
| | | 20V | 0A | 3.25A | $\pm 5\%$ | $\pm 1\%$ | 360mV |
| EA1062SBR | 60W | 5V | 0A | 3A | $\pm 5\%$ | $\pm 1\%$ | 100mV |
| | | 9V | 0A | 3A | $\pm 5\%$ | $\pm 1\%$ | 180mV |
| | | 12V | 0A | 3A | $\pm 5\%$ | $\pm 1\%$ | 240mV |
| | | 15V | 0A | 3A | $\pm 5\%$ | $\pm 1\%$ | 300mV |
| | | 20V | 0A | 3A | $\pm 5\%$ | $\pm 1\%$ | 360mV |

NOTE:

- 1 : Ripple & Noise is measured by using 20MHz bandwidth limited oscilloscope and terminated each output with a 0.1uF ceramic capacitor & parallel with 47uF aluminum capacitor at full load and nominal line.
- 2 : Line regulation is defined by changing $\pm 10\%$ of input voltage from nominal line at rated load.
- 3 : Max. Power (W) $\geq V_o \times I_o$

INPUT

- Input Range: 100 to 240 VAC
- Frequency: 50 to 60Hz
- Input Current: $\leq 2.5A$
- Inrush Current: $\leq 100A/230VAC$
- Hold Up Time: $\geq 8.3ms$
- Turn On Time: $\leq 3s$

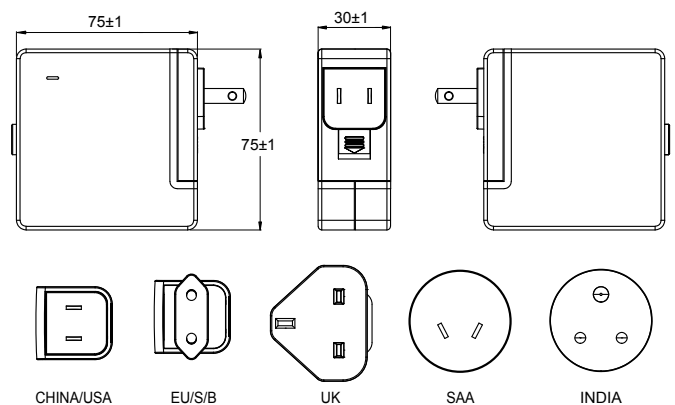
PROTECTION

- Short Circuit Protection: Auto Recovery
- Over Voltage Protection: Auto Recovery
- Over Current Protection: Auto Recovery
- Over Temperature Protection: Optional

ENVIRONMENT

- Operating Temperature: -20 to 40°C
- Storage Temperature: -20 to 85°C
- Operating Humidity: 10% to 90%
- Storage Humidity: 5% to 95%

MECHANICAL



- Case Size: 75 x 75 x 30H (mm)
- AC Plug: U: USA, E: EU, K: UK, A: SAA, C: China
 S: South Africa, B: Korea, I: India
- Weight: 250g

SAFETY

- Certified for whole series: UL 62368-1, CAN/CSA C22.2 No. 62368-1, TUV EN 62368-1, CB IEC 62368-1, FCC Part 15B, CE EMC(EN 55032+EN 55035), CCC, UKCA
- Certified for assigned models: KC

PD Charger (USB Type-C)



Features

- USB Power Delivery Function
- LED Indicator
- Active PFC Function
- Protections:
 - Short circuit / Over voltage / Over current
 - Over temperature (optional)
- Energy Efficiency Level VI
- No Load Power Consumption ≤ 0.21 W
- MTBF > 50,000 hours

EA1103 X Y - PP

X: AC inlet: 1.C14 2.C8 3.C6 (Class I) 6.C18 7.C6 (Class II)

Y: Output range

PP: DC plug Code 92 for USB Type-C

General Specification

OUTPUT

| MODEL No. | MAX. OUTPUT POWER (W) | OUTPUT VOLTAGE (Vo) | MIN. LOAD (Io) | MAX. LOAD (Io) | LOAD REGULATION | LINE REGULATION | RIPPLE & NOISE |
|-----------|-----------------------|---------------------|----------------|----------------|-----------------|-----------------|----------------|
| EA1103XA | 85W | 5V | 0A | 3A | $\pm 5\%$ | $\pm 1\%$ | 100mV |
| | | 9V | | | | | 180mV |
| | | 12V | | | | | 240mV |
| | | 15V | | | | | 300mV |
| | | 20V | | | | | 360mV |
| EA1103XB | 90W | 5V | 0A | 3A | $\pm 5\%$ | $\pm 1\%$ | 100mV |
| | | 9V | | | | | 180mV |
| | | 12V | | | | | 240mV |
| | | 15V | | | | | 300mV |
| | | 20V | | | | | 360mV |
| EA1103XC | 100W | 5V | 0A | 3A | $\pm 5\%$ | $\pm 1\%$ | 100mV |
| | | 9V | | | | | 180mV |
| | | 12V | | | | | 240mV |
| | | 15V | | | | | 300mV |
| | | 20V | | | | | 360mV |
| EA1103XD | 85W | 5V | 0A | 3A | $\pm 5\%$ | $\pm 1\%$ | 100mV |
| | | 9V | | | | | 180mV |
| | | 15V | | | | | 300mV |
| | | 20V | | | | | 360mV |
| | | 4.25A | | | | | |
| EA1103XE | 90W | 5V | 0A | 3A | $\pm 5\%$ | $\pm 1\%$ | 100mV |
| | | 9V | | | | | 180mV |
| | | 15V | | | | | 300mV |
| | | 20V | | | | | 360mV |
| | | 4.5A | | | | | |
| EA1103XF | 100W | 5V | 0A | 3A | $\pm 5\%$ | $\pm 1\%$ | 100mV |
| | | 9V | | | | | 180mV |
| | | 15V | | | | | 300mV |
| | | 20V | | | | | 360mV |
| | | 5A | | | | | |

NOTE:

- 1 : Ripple & Noise is measured by using 20MHz bandwidth limited oscilloscope and terminated each output with a 0.1uF ceramic capacitor & parallel with 47uF aluminum capacitor at full load and nominal line.
- 2 : Line regulation is defined by changing $\pm 10\%$ of input voltage from nominal line at rated load.
- 3 : Max. Power (W) $\geq V_o \times I_o$

INPUT

- Input Range: 100 to 240 VAC
- Frequency: 50 to 60Hz
- Input Current: ≤ 2.5 A
- Inrush Current: ≤ 120 A/230VAC
- Hold Up Time: ≥ 8.3 ms
- Turn On Time: ≤ 3 s

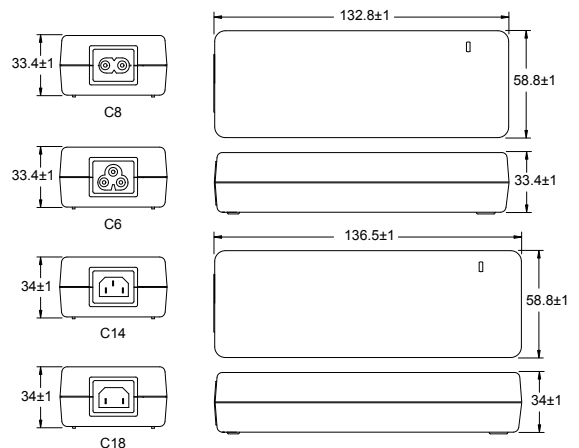
PROTECTION

- Short Circuit Protection: Auto Recovery
- Over Voltage Protection: Auto Recovery
- Over Current Protection: Auto Recovery
- Over Temperature Protection: Latch-off (optional)

ENVIRONMENT

- Operating Temperature: -20 to 40°C
- Storage Temperature: -20 to 85°C
- Operating Humidity: 10% to 90%
- Storage Humidity: 5% to 95%

MECHANICAL



- Case Size: 132.8L x 58.8W x 33.4H (mm) for AC inlet C8, C6
- 136.5L x 58.8W x 34H (mm) for AC inlet C14, C18
- Weight: 600g

SAFETY

- Certified for whole series: UL 62368-1, CAN/CSA C22.2 No. 62368-1, TUV EN 62368-1, CB IEC 62368-1, FCC Part 15B, CE EMC(EN 55032+EN 55035)
- Certified for assigned models: CCC, PSE, RCM, CU, NRCAN

PD Car Adaptor



Features

- USB Power Delivery Function
- LED Indicator
- Protections:
 - Short circuit / Over voltage / Over current
 - Over temperature
- Efficiency 83% Min. Nominal Input
- MTBF > 50,000 hours

ED1046XP - PP

- X** : Output type: S(SR), U(USB)
PP: DC plug code 92 for USB Type-C

General Specification

OUTPUT

| MODEL No. | MAX. OUTPUT POWER (W) | INPUT VOLTAGE (Vdc) | OUTPUT VOLTAGE (Vo) | MIN. LOAD (Io) | MAX. LOAD (Io) | LOAD REGULATION | LINE REGULATION | RIPPLE & NOISE(Max) |
|-----------|-----------------------|---------------------|---------------------|----------------|----------------|-----------------|-----------------|---------------------|
| ED1046SP | 45W | 11~16V | 5V | 0A | 3A | ± 5% | ± 1% | 100mV |
| | | | 9V | 0A | 3A | ± 5% | ± 1% | 180mV |
| | | | 12V | 0A | 3A | ± 5% | ± 1% | 240mV |
| | | | 15V | 0A | 3A | ± 5% | ± 1% | 300mV |
| | | | 20V | 0A | 2.25A | ± 5% | ± 1% | 360mV |
| ED1046UP | 45W | 11~16V | 5V | 0A | 3A | ± 5% | ± 1% | 100mV |
| | | | 9V | 0A | 3A | ± 5% | ± 1% | 180mV |
| | | | 12V | 0A | 3A | ± 5% | ± 1% | 240mV |
| | | | 15V | 0A | 3A | ± 5% | ± 1% | 300mV |
| | | | 20V | 0A | 2.25A | ± 5% | ± 1% | 360mV |

NOTE:

- 1 : Ripple & Noise is measured by using 20MHz bandwidth limited oscilloscope and terminated each output with a 0.1uF ceramic capacitor & parallel with 47uF aluminum capacitor at full load and nominal line.
- 2 : Line regulation is defined by changing ±10% of input voltage from nominal line at rated load.
- 3 : Max. Power (W) ≥ Vo x Io

INPUT

- Input Range: 11 to 16 VDC
- Input Current: 7A Max
- Turn On Time: ≤ 3s

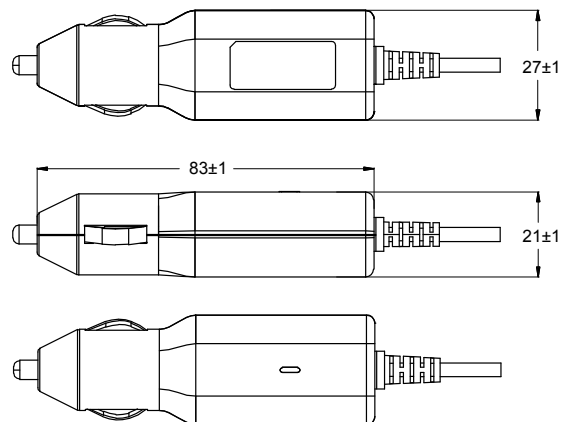
PROTECTION

- Short Circuit Protection: Auto Recovery
- Over Voltage Protection: Auto Recovery
- Over Current Protection: Auto Recovery
- Over Temperature Protection: Auto Recovery

ENVIRONMENT

- Operating Temperature: -20 to 40°C
- Storage Temperature: -20 to 85°C
- Operating Humidity: 10% to 90%
- Storage Humidity: 5% to 95%

MECHANICAL



- Case Size: 83L x 27W x 21H (mm)
- Weight: 40g

SAFETY

- Complied with CE (EMC+LVD EN62368-1), FCC Part 15B



Battery Charger

- UL/cUL 1012, EN/IEC 60335-1,
EN/IEC 60335-2-29 Compliance
 - Universal Input 100-240VAC
 - Multiple Protections
 - Lithium-ion & Lead-Acid
- Battery Chargers Available

Lithium-ion Battery Charger



Features

- Application: E-bike, E-scooter, E-wheelchair, E-tool
- CC/CV Charging Mode
- For 42V/10S Battery Pack Use
- Battery Polarity Reverse Protection
- LED Indicator
- Protections :
Short circuit / Over voltage / Over current
Over temperature
- No Load Power Consumption $\leq 1W$
- MTBF > 100,000 hours

EC1085 X Y - vv PP

- X:** AC inlet: 2. C8 3. C6
- Y:** Output range
- vv:** Specified output voltage, i.e. 42 is 42VDC
- PP:** DC plug type, i.e. Code 01 for 5.5x2.1mm or other options (refer to the appendix page)

General Specification

OUTPUT

For 10S battery pack use

| MODEL No. | MAX. OUTPUT POWER (W) | OUTPUT VOLTAGE (Vo) | MIN. LOAD (Io) | MAX. LOAD (Io) | LOAD REGULATION | LINE REGULATION | RIPPLE & NOISE |
|-----------|-----------------------|---------------------|----------------|----------------|-----------------|-----------------|----------------|
| EC1085XA | 84W | 42V | 0A | 2A | $\pm 5\%$ | $\pm 1\%$ | 300mV |
| EC1085XB | 42W | 42V | 0A | 1A | $\pm 5\%$ | $\pm 1\%$ | 300mV |

NOTE:

- 1 : Ripple & Noise is measured by using 20MHz bandwidth limited oscilloscope and terminated each output with a 0.1uF ceramic capacitor & parallel with 47uF aluminum capacitor at full load and nominal line.
- 2 : Line regulation is defined by changing $\pm 10\%$ of input voltage from nominal line at rated load.
- 3 : Max. Power (W) $\geq V_o \times I_o$

INPUT

- Input Range 100 to 240 VAC
- Frequency 50 to 60Hz
- Input Current $\leq 2.2A$
- Inrush Current $\leq 70A/230VAC$

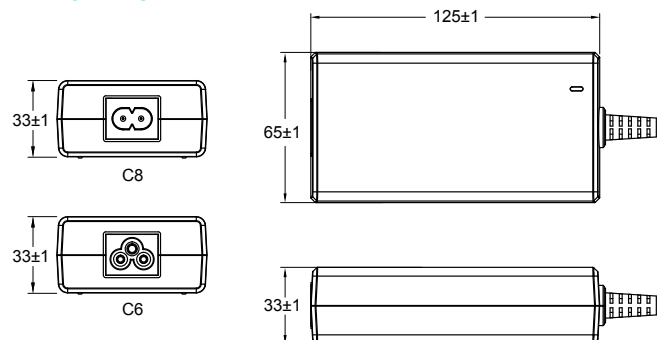
PROTECTION

- Short Circuit Protection Auto Recovery
- Over Voltage Protection Latch-off
- Over Current Protection Auto Recovery
- Over Temperature Protection Auto Recovery

ENVIRONMENT

- Operating Temperature -20 to 40°C
- Storage Temperature -20 to 85°C
- Operating Humidity 10% to 90%
- Storage Humidity 5% to 90%

MECHANICAL



- Case Size: 125L x 65W x 33H (mm)
- AC Inlet: C8, C6
- Weight: 420g

SAFETY

- Certified for whole series: EN/IEC 60335-1/EN IEC 60335-2-29, FCC Part 15B, CE EMC(EN 55014-1+EN 55014-2), UKCA, Complied with UL 1012

Lithium-ion Battery Charger



Features

- Application: E-bike, E-scooter, E-wheelchair, E-tool
- CC/CV Charging Mode
- For 42V/10S & 54.6V/13S Battery Pack Use
- Battery Polarity Reverse Protection
- LED Indicator
- Protections :
Short circuit / Over voltage / Over current
Over temperature
- No Load Power Consumption $\leq 1W$
- MTBF > 100,000 hours

EC1168 X Y - vv PP

- X:** AC inlet: 2. C8 3. C6
Y: Output range
vv: Specified output voltage, i.e. 42 is 42VDC
PP: DC plug type, i.e. Code 01 for 5.5x2.1mm or other options (refer to the appendix page)

General Specification

OUTPUT

For 10S battery pack use

| MODEL No. | MAX. OUTPUT POWER (W) | OUTPUT VOLTAGE (Vo) | MIN. LOAD (Io) | MAX. LOAD (Io) | LOAD REGULATION | LINE REGULATION | RIPPLE & NOISE |
|-----------|-----------------------|---------------------|----------------|----------------|-----------------|-----------------|----------------|
| EC1168XA | 84W | 42V | 0A | 2A | $\pm 5\%$ | $\pm 1\%$ | 600mV |
| EC1168XB | 126W | 42V | 0A | 3A | $\pm 5\%$ | $\pm 1\%$ | 600mV |
| EC1168XC | 168W | 42V | 0A | 4A | $\pm 5\%$ | $\pm 1\%$ | 600mV |

For 13S battery pack use

| MODEL No. | MAX. OUTPUT POWER (W) | OUTPUT VOLTAGE (Vo) | MIN. LOAD (Io) | MAX. LOAD (Io) | LOAD REGULATION | LINE REGULATION | RIPPLE & NOISE |
|-----------|-----------------------|---------------------|----------------|----------------|-----------------|-----------------|----------------|
| EC1168XD | 109.2W | 54.6V | 0A | 2A | $\pm 5\%$ | $\pm 1\%$ | 800mV |
| EC1168XE | 163.8W | 54.6V | 0A | 3A | $\pm 5\%$ | $\pm 1\%$ | 800mV |

NOTE:

- 1 : Ripple & Noise is measured by using 20MHz bandwidth limited oscilloscope and terminated each output with a 0.1uF ceramic capacitor & parallel with 47uF aluminum capacitor at full load and nominal line.
- 2 : Line regulation is defined by changing $\pm 10\%$ of input voltage from nominal line at rated load.
- 3 : Max. Power (W) $\geq V_o \times I_o$

INPUT

- Input Range 100 to 240 VAC
- Frequency 50 to 60Hz
- Input Current $\leq 2.5A$
- Inrush Current $\leq 120A/230VAC$

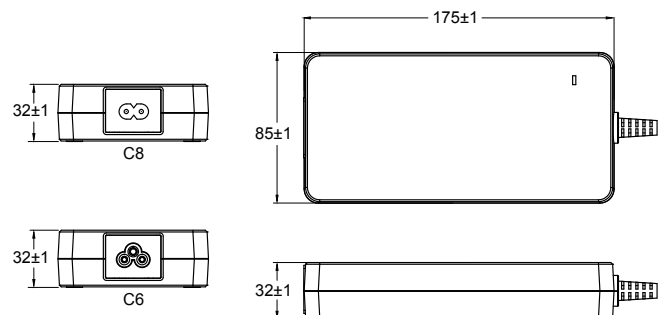
PROTECTION

- Short Circuit Protection Latch-off
- Over Voltage Protection Latch-off
- Over Current Protection Latch-off
- Over Temperature Protection Latch-off

ENVIRONMENT

- Operating Temperature -20 to 40°C
- Storage Temperature -20 to 85°C
- Operating Humidity 10% to 90%
- Storage Humidity 5% to 90%

MECHANICAL



- Case Size: 175L x 85W x 32H (mm)
- AC Inlet: C8, C6
- Weight: 670g

SAFETY

- Certified for whole series: EN/IEC 60335-1/EN IEC 60335-2-29, FCC Part 15B, CE EMC(EN 55014-1+EN 55014-2), UKCA, Complied with UL 1012

Lead-Acid Battery Charger



Features

- Lead-Acid Battery Charger
- Constant Power Charging Mode
- Battery Polarity Reverse Protection
- 2 LED Charging Indicator
- 2 Step Fast Charging Capability
- Protections:
 - Short circuit / Over voltage / Over current
 - Over temperature
- MTBF > 50,000 hours
- Recommend for 24V/12~35Ah Lead-Acid Battery

EA1089 Y - vv PP

- Y:** Charge current
vv: Specified output voltage, i.e. 24 is 24VDC
PP: DC plug type

General Specification

OUTPUT

| MODEL No. | FAST CHARGE CURRENT | MAINTAINING CHARGE VOLTAGE | FLOATING CHARGE VOLTAGE |
|-----------|---------------------|----------------------------|-------------------------|
| EA1089D | 3A | 29.4V | 27.5V |
| EA1089C | 3.5A | 29.4V | 27.5V |

NOTE:

- 1 : Ripple & Noise is measured by using 20MHz bandwidth limited oscilloscope and terminated each output with a 0.1uF ceramic capacitor & parallel with 47uF aluminum capacitor at full load and nominal line.
- 2 : Line regulation is defined by changing $\pm 10\%$ of input voltage from nominal line at rated load.
- 3 : Max. Power (W) $\geq V_o \times I_o$

INPUT

- Input Range: 100 to 240 VAC
- Frequency: 50 to 60Hz
- Input Current: 2.5A Max.
- Inrush Current: $\leq 120A/230VAC$
- Hold Up Time: $\geq 8.3ms$
- Turn On Time: $\leq 3s$

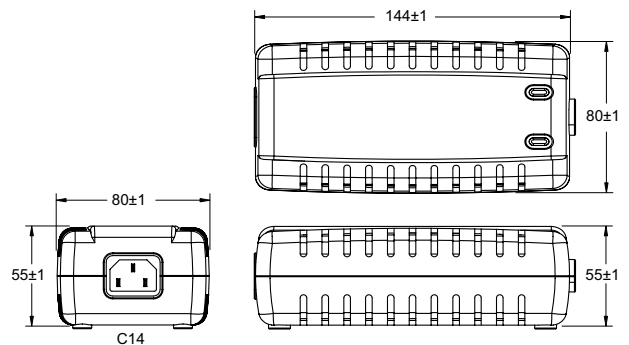
PROTECTION

- Short Circuit Protection: Auto Recovery
- Over Voltage Protection: Auto Recovery
- Over Current Protection: Auto Recovery
- Over Temperature Protection: Auto Recovery

ENVIRONMENT

- Operating Temperature: -20 to 40°C
- Storage Temperature: -20 to 85°C
- Operating Humidity: 10% to 90%
- Storage Humidity: 5% to 95%

MECHANICAL



- Case Size: 144L x 80W x 55H (mm)
- AC Inlet: C14
- Weight: 560g

SAFETY

- Complied with UL 1012, CSA C22.2 No. 107.2-01, EN/IEC 60335-1/EN IEC 60335-2-29, FCC Part 15B, CE EMC(EN 55014-1+EN 55014-2)

Lead-Acid Battery Charger



Features

- Lead-Acid Battery Charger
- Constant Power Charging Mode
- Battery Polarity Reverse Protection
- 2 LED Charging Indicator
- 2 Step Fast Charging Capability
- Protections:
 - Short circuit / Over voltage / Over current
 - Over temperature
- MTBF > 50,000 hours
- Recommend for 24V/15~45Ah Lead-Acid Battery

EA1118 Y - vv PP

- Y:** Charge current
vv: Specified output voltage, i.e. 24 is 24VDC
PP: DC plug type

General Specification

OUTPUT

| MODEL No. | FAST CHARGE CURRENT | MAINTAINING CHARGE VOLTAGE | FLOATING CHARGE VOLTAGE |
|-----------|---------------------|----------------------------|-------------------------|
| EA1118D | 4A | 29.4V | 27.5V |
| EA1118C | 4.5A | 29.4V | 27.5V |

NOTE:

- 1 : Ripple & Noise is measured by using 20MHz bandwidth limited oscilloscope and terminated each output with a 0.1uF ceramic capacitor & parallel with 47uF aluminum capacitor at full load and nominal line.
- 2 : Line regulation is defined by changing $\pm 10\%$ of input voltage from nominal line at rated load.
- 3 : Max. Power (W) $\geq V_o \times I_o$

INPUT

- Input Range: 100 to 240 VAC
- Frequency: 50 to 60Hz
- Input Current: 3.2A Max.
- Inrush Current: $\leq 120A/230VAC$
- Hold Up Time: $\geq 8.3ms$
- Turn On Time: $\leq 3s$

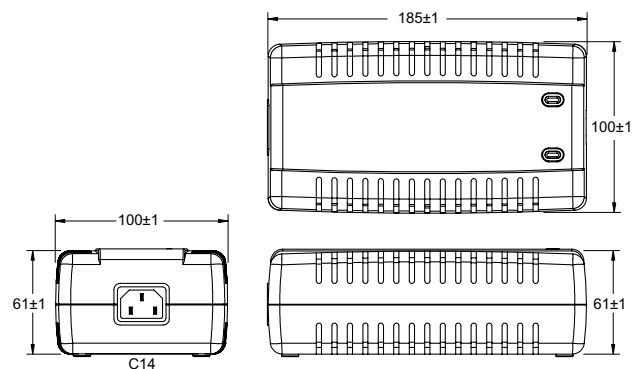
PROTECTION

- Short Circuit Protection: Auto Recovery
- Over Voltage Protection: Auto Recovery
- Over Current Protection: Auto Recovery
- Over Temperature Protection: Auto Recovery

ENVIRONMENT

- Operating Temperature: -20 to 40°C
- Storage Temperature: -20 to 85°C
- Operating Humidity: 10% to 90%
- Storage Humidity: 5% to 95%

MECHANICAL



- Case Size: 185L x 100W x 61H (mm)
- AC Inlet: C14
- Weight: 650g

SAFETY

- Complied with UL 1012, CSA C22.2 No. 107.2-01, EN/IEC 60335-1/EN IEC 60335-2-29, FCC Part 15B, CE EMC(EN 55014-1+EN 55014-2)

Lead-Acid Battery Charger



Features

- Lead-Acid Battery Charger
- Constant Power Charging Mode
- Battery Polarity Reverse Protection
- 2 LED Charging Indicator
- 2 Step Fast Charging Capability
- Protections:
 - Short circuit / Over voltage / Over current
 - Over temperature
- MTBF > 50,000 hours
- Recommend for 24V/17~55Ah Lead-Acid Battery

EA1148 Y - vv PP

Y: Charge current

vv: Specified output voltage, i.e. 24 is 24VDC

PP: DC plug type

General Specification

OUTPUT

| MODEL No. | FAST CHARGE CURRENT | MAINTAINING CHARGE VOLTAGE | FLOATING CHARGE VOLTAGE |
|-----------|---------------------|----------------------------|-------------------------|
| EA1148D | 5A | 29.4V | 27.5V |
| EA1148C | 5.5A | 29.4V | 27.5V |

NOTE:

- 1 : Ripple & Noise is measured by using 20MHz bandwidth limited oscilloscope and terminated each output with a 0.1uF ceramic capacitor & parallel with 47uF aluminum capacitor at full load and nominal line.
- 2 : Line regulation is defined by changing $\pm 10\%$ of input voltage from nominal line at rated load.
- 3 : Max. Power (W) $\geq V_o \times I_o$

INPUT

- Input Range 100 to 240 VAC
- Frequency 50 to 60Hz
- Input Current 4A Max.
- Inrush Current $\leq 120A/230VAC$
- Hold Up Time $\geq 8.3ms$
- Turn On Time $\leq 3s$

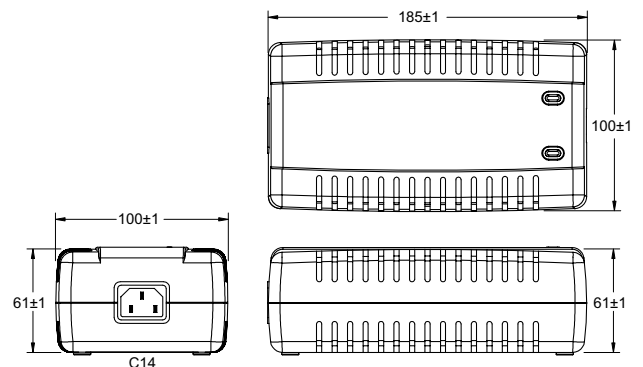
PROTECTION

- Short Circuit Protection Auto Recovery
- Over Voltage Protection Auto Recovery
- Over Current Protection Auto Recovery
- Over Temperature Protection Auto Recovery

ENVIRONMENT

- Operating Temperature -20 to 40°C
- Storage Temperature -20 to 85°C
- Operating Humidity 10% to 90%
- Storage Humidity 5% to 95%

MECHANICAL



- Case Size: 185L x 100W x 61H (mm)
- AC Inlet: C14
- Weight: 850g

SAFETY

- Complied with UL 1012, CSA C22.2 No. 107.2-01, EN/IEC 60335-1/EN IEC 60335-2-29, FCC Part 15B, CE EMC(EN 55014-1+EN 55014-2)

Lead-Acid Battery Charger



Features

- Lead-Acid Battery Charger
- Constant Power Charging Mode
- Battery Polarity Reverse Protection
- 2 LED Charging Indicator
- 2 Step Fast Charging Capability
- Protections:
 - Short circuit / Over voltage / Over current
 - Over temperature
- MTBF > 50,000 hours
- Recommend for 24V/55~90Ah Lead-Acid Battery

EA1230B - PP

PP: DC plug type

General Specification

OUTPUT

| MODEL NO. | FAST CHARGE CURRENT | MAINTAINING CHARGE VOLTAGE | FLOATING CHARGE VOLTAGE |
|-----------|---------------------|----------------------------|-------------------------|
| EA1230B | 8A | 29.4V | 27.5V |

NOTE:

- 1 : Ripple & Noise is measured by using 20MHz bandwidth limited oscilloscope and terminated each output with a 0.1uF ceramic capacitor & parallel with 47uF aluminum capacitor at full load and nominal line.
- 2 : Line regulation is defined by changing $\pm 10\%$ of input voltage from nominal line at rated load.
- 3 : Max. Power (W) $\geq V_o \times I_o$

INPUT

- Input Range: 100 to 240 VAC
- Frequency: 50 to 60Hz
- Input Current: 6A Max.
- Inrush Current: $\leq 220A/230VAC$
- Hold Up Time: $\geq 8.3ms$
- Turn On Time: $\leq 3s$

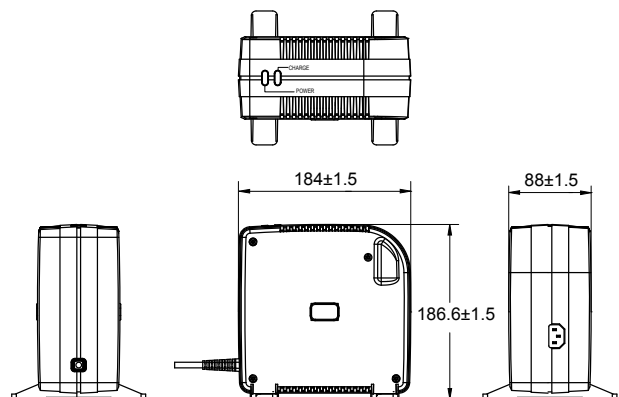
PROTECTION

- Short Circuit Protection: Auto Recovery
- Over Voltage Protection: Auto Recovery
- Over Current Protection: Auto Recovery
- Over Temperature Protection: Auto Recovery

ENVIRONMENT

- Operating Temperature: -20 to 40°C
- Storage Temperature: -20 to 85°C
- Operating Humidity: 10% to 90%
- Storage Humidity: 5% to 95%

MECHANICAL



- Case Size: 184L x 88W x 186.6H (mm)
- AC Inlet: C14
- DC Cable: SVT

SAFETY

- Certified for whole series: UL/cUL 1012, EN/IEC 60335-1/EN IEC 60335-2-29, CE, Complied with FCC

▶ Open Frame Switching Power Supply

- Designs based on ITE,
Medical, and Household Regulations
 - 2 x MOPP Compliance
 - Universal Input 100-240VAC
 - 3" x 2" / 4" x 2" / 5" x 3" Complete
Dimensions for Selection
 - Multiple Protections
 - Customized Solutions Available

Medical Open Frame



Features

- 3" x 2" Compact Size
- 2 x MOPP Compliance
- Protections :
Short circuit / Over voltage / Over current / Over temperature
- Energy Efficiency $\geq 90\%$ ~92% depends on models
- No Load Power Consumption $\leq 0.3W$
- MTBF > 100,000 hours
- Low Leakage Current
- 120W Convection / 150W Peak Load 10s/150W Forced Air
- Customized Solutions Available

EPM1122 U XX YY

U: Output range
XX: Specified output voltage, i.e. 12 is 12VDC
YY: Differential segmentation

General Specification

OUTPUT

| MODEL No. | OUTPUT POWER (W) | | | OUTPUT VOLTAGE (Vo) | MIN. LOAD (Io) | MAX. LOAD (Io) | | | LOAD REGULATION | LINE REGULATION | RIPPLE & NOISE |
|--------------|------------------|-----------|------------------|---------------------|----------------|----------------|-----------|------------------|-----------------|-----------------|----------------|
| | Convection | Peak(10s) | Forced air 10CFM | | | Convection | Peak(10s) | Forced air 10CFM | | | |
| EPM1122A12YY | 100W | 130W | 130W | 12V | 0A | 8.33A | 10.83A | 10.83A | $\pm 1\%$ | $\pm 0.5\%$ | 100mV |
| EPM1122B15YY | 100W | 130W | 130W | 15V | 0A | 6.66A | 8.66A | 8.66A | $\pm 1\%$ | $\pm 0.5\%$ | 120mV |
| EPM1122C24YY | 100W | 130W | 130W | 24V | 0A | 4.16A | 5.41A | 5.41A | $\pm 1\%$ | $\pm 0.5\%$ | 150mV |
| EPM1122D27YY | 100W | 130W | 130W | 27V | 0A | 3.7A | 4.81A | 4.81A | $\pm 1\%$ | $\pm 0.5\%$ | 150mV |
| EPM1122E36YY | 100W | 130W | 130W | 36V | 0A | 2.77A | 3.61A | 3.61A | $\pm 1\%$ | $\pm 0.5\%$ | 200mV |
| EPM1122F48YY | 100W | 130W | 130W | 48V | 0A | 2.08A | 2.7A | 2.7A | $\pm 1\%$ | $\pm 0.5\%$ | 200mV |
| EPM1122G12YY | 114W | 142W | 142W | 12V | 0A | 9.5A | 11.83A | 11.83A | $\pm 1\%$ | $\pm 0.5\%$ | 100mV |
| EPM1122H15YY | 114W | 142W | 142W | 15V | 0A | 7.6A | 9.46A | 9.46A | $\pm 1\%$ | $\pm 0.5\%$ | 120mV |
| EPM1122J24YY | 120W | 150W | 150W | 24V | 0A | 5A | 6.25A | 6.25A | $\pm 1\%$ | $\pm 0.5\%$ | 150mV |
| EPM1122K27YY | 120W | 150W | 150W | 27V | 0A | 4.44A | 5.55A | 5.55A | $\pm 1\%$ | $\pm 0.5\%$ | 150mV |
| EPM1122L36YY | 120W | 150W | 150W | 36V | 0A | 3.33A | 4.16A | 4.16A | $\pm 1\%$ | $\pm 0.5\%$ | 200mV |
| EPM1122M48YY | 120W | 150W | 150W | 48V | 0A | 2.5A | 3.12A | 3.12A | $\pm 1\%$ | $\pm 0.5\%$ | 200mV |

NOTE:

- 1 : Ripple & Noise is measured by using 20MHz bandwidth limited oscilloscope and terminated each output with a 0.1uF ceramic capacitor & parallel with 47uF aluminum capacitor at full load and nominal line.
- 2 : Line regulation is defined by changing $\pm 10\%$ of input voltage from nominal line at rated load.
- 3 : Max. Power (W) $\geq V_o \times I_o$

INPUT

- Input Range: 100 to 240 VAC
- Frequency: 50 to 60Hz
- Input Current: $\leq 2.3A$
- Inrush Current: $\leq 60A/230VAC$
- Hold Up Time: $\geq 15ms$
- Turn On Time: $\leq 600ms$

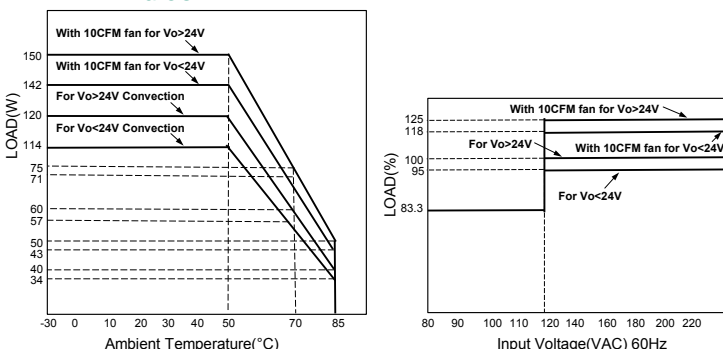
PROTECTION

- Short Circuit Protection: Auto Recovery
- Over Current Protection: Auto Recovery
- Over Voltage Protection: Latch-off
- Over Temperature Protection: Auto Recovery

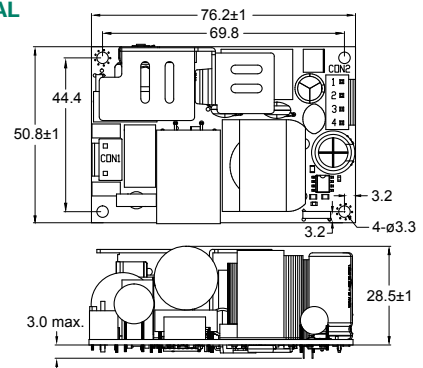
ENVIRONMENT

- Operating Temperature: -20 to 50°C
- Storage Temperature: -20 to 85°C
- Operating Humidity: 10% to 90 %
- Storage Humidity: 5% to 95 %

DERATING CURVE



MECHANICAL



- Mechanical Size: 76.2Lx 50.8W x 28.5H (mm)
- AC Input Connector: JST VHR Series or equivalent
- DC Output Connector: JST VHR Series or equivalent

Pin Assignment:

AC Input Connector:

| Pin No. | Assignment |
|---------|------------|
| 1 | AC/L |
| 2 | No Pin |
| 3 | AC/N |

DC Output Connector:

| Pin No. | Assignment |
|---------|------------|
| 1, 2 | +V |
| 3, 4 | -V |

- Weight: 200g

SAFETY

- Certified for whole series: CB IEC 60601-1, CE EMC(EN 60601-1-2), CB IEC 62368-1, CE EMC(EN 55032+EN 55035), FCC Part 15B
- Complied with ANSI/AAMI ES60601-1, CAN/CSA-C22.2 No. 60601-1, TUV EN 60601-1, UL 62368-1, CAN/CSA C22.2 No. 62368-1, TUV EN 62368-1

Medical Open Frame



Features

- 4" x 2" Compact Size
- 2 x MOPP Compliance
- Protections :
Short circuit / Over voltage / Over current / Over temperature
- Energy Efficiency $\geq 90\%$ ~93% depends on models
- No Load Power Consumption $\leq 0.3W$
- MTBF > 100,000 hours
- Low Leakage Current
- 150W Convection / 200W Forced Air
- Customized Solutions Available

EPM1153 U XX YY

- U:** Output range
- XX:** Specified output voltage, i.e. 12 is 12VDC
- YY:** Differential segmentation

General Specification

OUTPUT

| MODEL No. | OUTPUT POWER (W) | | OUTPUT VOLTAGE (Vo) | MIN. LOAD (Io) | MAX. LOAD (Io) | | LOAD REGULATION | LINE REGULATION | RIPPLE & NOISE |
|--------------|------------------|------------------|---------------------|----------------|----------------|------------------|-----------------|-----------------|----------------|
| | Convection | Forced air 10CFM | | | Convection | Forced air 10CFM | | | |
| EPM1153A12YY | 130W | 170W | 12V | 0A | 10.83A | 14.16A | $\pm 1\%$ | $\pm 0.5\%$ | 100mV |
| EPM1153B15YY | 130W | 170W | 15V | 0A | 8.66A | 11.33A | $\pm 1\%$ | $\pm 0.5\%$ | 100mV |
| EPM1153C24YY | 130W | 170W | 24V | 0A | 5.41A | 7.08A | $\pm 1\%$ | $\pm 0.5\%$ | 120mV |
| EPM1153D27YY | 130W | 170W | 27V | 0A | 4.81A | 6.29A | $\pm 1\%$ | $\pm 0.5\%$ | 120mV |
| EPM1153E48YY | 130W | 170W | 48V | 0A | 2.7A | 3.54A | $\pm 1\%$ | $\pm 0.5\%$ | 120mV |
| EPM1153F12YY | 150W | 200W | 12V | 0A | 12.5A | 16.66A | $\pm 1\%$ | $\pm 0.5\%$ | 100mV |
| EPM1153G15YY | 150W | 200W | 15V | 0A | 10A | 13.33A | $\pm 1\%$ | $\pm 0.5\%$ | 100mV |
| EPM1153H24YY | 150W | 200W | 24V | 0A | 6.25A | 8.33A | $\pm 1\%$ | $\pm 0.5\%$ | 120mV |
| EPM1153J27YY | 150W | 200W | 27V | 0A | 5.55A | 7.4A | $\pm 1\%$ | $\pm 0.5\%$ | 120mV |
| EPM1153K48YY | 150W | 200W | 48V | 0A | 3.12A | 4.16A | $\pm 1\%$ | $\pm 0.5\%$ | 120mV |

NOTE:

- 1 : Ripple & Noise is measured by using 20MHz bandwidth limited oscilloscope and terminated each output with a 0.1uF ceramic capacitor & parallel with 47uF aluminum capacitor at full load and nominal line.
- 2 : Line regulation is defined by changing $\pm 10\%$ of input voltage from nominal line at rated load.
- 3 : Max. Power (W) $\geq V_o \times I_o$

INPUT

- Input Range: 100 to 240 VAC
- Frequency: 50 to 60Hz
- Input Current: $\leq 3.15A$
- Inrush Current: $\leq 60A/230VAC$
- Hold Up Time: $\geq 8.3ms$
- Turn On Time: $\leq 1s$

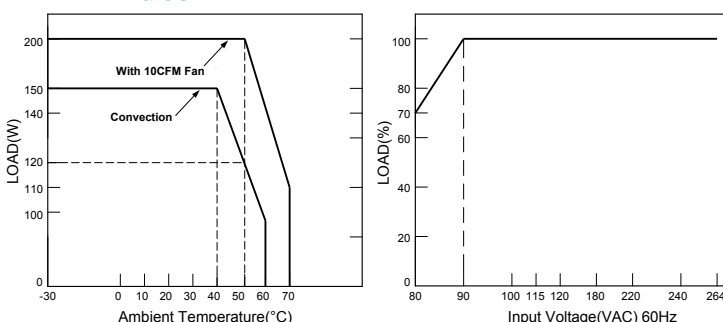
PROTECTION

- Short Circuit Protection: Auto Recovery
- Over Current Protection: Auto Recovery
- Over Voltage Protection: Auto Recovery
- Over Temperature Protection: Auto Recovery

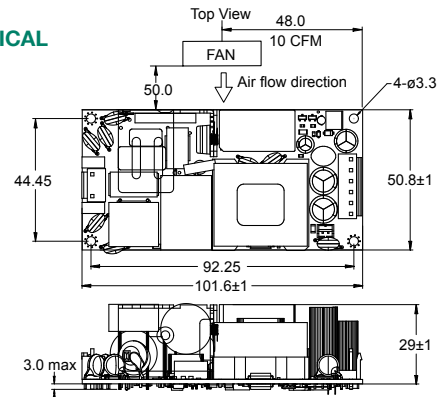
ENVIRONMENT

- Operating Temperature: -20 to 50°C
- Storage Temperature: -40 to 85°C
- Operating Humidity: 10% to 90 %
- Storage Humidity: 5% to 95 %

DERATING CURVE



MECHANICAL



- Mechanical Size: 101.6L x 50.8W x 29H (mm)
- Pin Assignment:

AC Input Connector (CON1) : JST B3P-VH or equivalent

| Pin No. | Assignment | Mating Housing | Terminal |
|---------|------------|-----------------------|--------------------------------|
| 1 | AC/L | JST VHR or equivalent | JST SVH-21T-P1.1 or equivalent |
| 2 | No Pin | | |
| 3 | AC/N | | |

DC Output Connector (CON2) : JST B6P-VH or equivalent

| Pin No. | Assignment | Mating Housing | Terminal |
|---------|------------|-----------------------|--------------------------------|
| 1, 2, 3 | +V | JST VHR or equivalent | JST SVH-21T-P1.1 or equivalent |
| 4, 5, 6 | -V | | |

- Weight: 200g

SAFETY

- Certified for whole series: CB IEC 60601-1, CE EMC(EN 60601-1-2), CB IEC 62368-1, CE EMC(EN 55032+EN 55035), FCC Part 15B
- Complied with ANSI/AAMI ES60601-1, CAN/CSA-C22.2 No. 60601-1, TUV EN 60601-1, UL 62368-1, CAN/CSA C22.2 No. 62368-1, TUV EN 62368-1

Medical Open Frame



Features

- 5" x 3" Compact Size
- 2 x MOPP Compliance
- Protections :
Short circuit / Over voltage / Over current / Over temperature
- Energy Efficiency $\geq 89\%$ ~ 92% depends on models
- No Load Power Consumption ≤ 0.5 W
- MTBF > 100,000 hours
- Low Leakage Current
- 350W Convection / 500W Forced Air
- 5V Stand by & 12V Fan Supply (optional)
- Customized Solutions Available

EPM V 350 U XX YY

- V:** Numbers of outputs
- U:** Output range
- XX:** Specified output voltage, i.e. 12 is 12VDC
- YY:** Differential segmentation

General Specification

OUTPUT

| MODEL No. | OUTPUT POWER (W) | | OUTPUT VOLTAGE (Vo) | MIN. LOAD (Io) | MAX. LOAD (Io) | | LOAD REGULATION | LINE REGULATION | RIPPLE & NOISE | |
|---------------|------------------|------------------|---------------------|-------------------------|----------------|------------------|-----------------|-----------------|----------------|-------|
| | Convection | Forced air 25CFM | | | Convection | Forced air 25CFM | | | | |
| Single Output | EPM1350A12YY | 300W | 400W | 12V | 0A | 25A | 33.33A | $\pm 1\%$ | $\pm 0.5\%$ | 200mV |
| | EPM1350B15YY | 300W | 400W | 15V | 0A | 20A | 26.66A | $\pm 1\%$ | $\pm 0.5\%$ | 200mV |
| | EPM1350C18YY | 300W | 400W | 18V | 0A | 16.67A | 22.22A | $\pm 1\%$ | $\pm 0.5\%$ | 200mV |
| | EPM1350D24YY | 300W | 400W | 24V | 0A | 12.5A | 16.66A | $\pm 1\%$ | $\pm 0.5\%$ | 240mV |
| | EPM1350E27YY | 300W | 400W | 27V | 0A | 11.11A | 14.81A | $\pm 1\%$ | $\pm 0.5\%$ | 270mV |
| | EPM1350F36YY | 300W | 400W | 36V | 0A | 8.33A | 11.11A | $\pm 1\%$ | $\pm 0.5\%$ | 360mV |
| | EPM1350G48YY | 300W | 400W | 48V | 0A | 6.25A | 8.33A | $\pm 1\%$ | $\pm 0.5\%$ | 480mV |
| | EPM1350H12YY | 330W | 450W | 12V | 0A | 27.5A | 37.5A | $\pm 1\%$ | $\pm 0.5\%$ | 200mV |
| | EPM1350J15YY | 330W | 450W | 15V | 0A | 22A | 30A | $\pm 1\%$ | $\pm 0.5\%$ | 200mV |
| | EPM1350K18YY | 350W | 500W | 18V | 0A | 19.44A | 27.77A | $\pm 1\%$ | $\pm 0.5\%$ | 200mV |
| | EPM1350L24YY | 350W | 500W | 24V | 0A | 14.58A | 20.83A | $\pm 1\%$ | $\pm 0.5\%$ | 240mV |
| | EPM1350M27YY | 350W | 500W | 27V | 0A | 12.96A | 18.51A | $\pm 1\%$ | $\pm 0.5\%$ | 270mV |
| | EPM1350N36YY | 350W | 500W | 36V | 0A | 9.72A | 13.88A | $\pm 1\%$ | $\pm 0.5\%$ | 360mV |
| | EPM1350P48YY | 350W | 500W | 48V | 0A | 7.29A | 10.41A | $\pm 1\%$ | $\pm 0.5\%$ | 480mV |
| Dual Output | EPM2350UXXYY | 300 ~ 500W | | 12,15,18, 24,27, 36,48V | 0A | 25A | 33.33A | $\pm 1\%$ | $\pm 0.5\%$ | |
| | | | | 5V | 0A | 0.6A | 1A | $\pm 1\%$ | $\pm 0.5\%$ | |

NOTE:

- 1 : Ripple & Noise is measured by using 20MHz bandwidth limited oscilloscope and terminated each output with a 0.1uF ceramic capacitor & parallel with 47uF aluminum capacitor at full load and nominal line.
- 2 : Line regulation is defined by changing $\pm 10\%$ of input voltage from nominal line at rated load.
- 3 : Max. Power (W) $\geq V_o \times I_o$

INPUT

- Input Range: 100 to 240 VAC
- Frequency: 50 to 60Hz
- Input Current: ≤ 6 A
- Inrush Current: ≤ 80 A/230VAC
- Hold Up Time: ≥ 10 ms
- Turn On Time: ≤ 3 s

PROTECTION

- Short Circuit Protection: Auto Recovery
- Over Current Protection: Auto Recovery
- Over Voltage Protection: Auto Recovery
- Over Temperature Protection: Auto Recovery

ENVIRONMENT

- Operating Temperature: -20 to 50°C
- Storage Temperature: -20 to 85°C
- Operating Humidity: 10% to 90 %
- Storage Humidity: 5% to 95 %

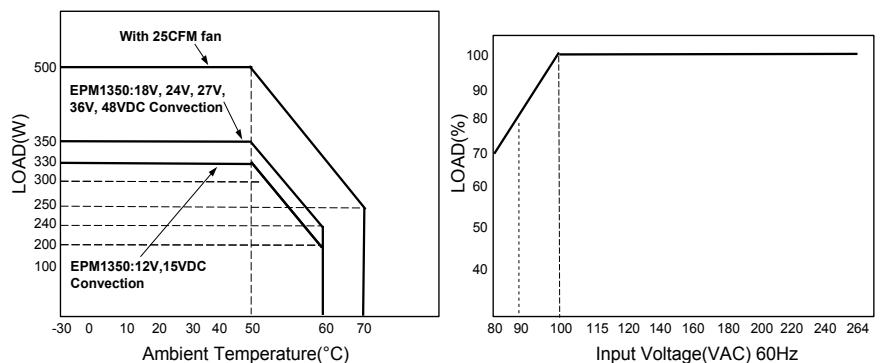
SAFETY

- Certified for whole series: CB IEC 60601-1, CE EMC(EN 60601-1-2), CB IEC 62368-1, CE EMC(EN 55032+EN 55035), FCC Part 15B
- Complied with ANSI/AAMI ES60601-1, CAN/CSA-C22.2 No. 60601-1, TUV EN 60601-1, UL 62368-1, CAN/CSA C22.2 No. 62368-1, TUV EN 62368-1

FUNCTION

- 5V Stand by: 5Vsb: 5V@0.6A without fan, 1A with fan 25CFM
- 12V Fan Supply: 12V@0.5A for driving fan

DERATING CURVE



Medical Open Frame

E PM V 350 U XX YY

| E | PM | V | U | XX | YY |
|----------|--------------------|--------------------|--|-----------------------------|-------------------------------|
| BUSINESS | TYPE | NUMBERS OF OUTPUTS | OUTPUT RANGE | OUTPUT VOLTAGE | OUTLINE DIFFERENCE |
| EDAC | Medical Open Frame | 1 2 | A = 12V / 300W B = 15V/ 300W ... | 12 = 12V 15 = 15V ... | 00 = W/O FAN OF = With FAN |

| | MODEL NAME | MAIN - POWER | | | STANDBY-POWER | | | TOTAL POWER |
|--------------------------|--------------|--------------|--------|--------|---------------|--------|--------|-------------|
| | | Vo1(V) | Io1(A) | Wo1(W) | Vo2(V) | Io2(A) | Wo2(W) | |
| Single output | EPM1350A1200 | 12 | 25 | 300 | | | | 300 |
| | EPM1350B1500 | 15 | 20 | 300 | | | | 300 |
| | EPM1350C1800 | 18 | 16.67 | 300 | | | | 300 |
| | EPM1350D2400 | 24 | 12.5 | 300 | | | | 300 |
| | EPM1350E2700 | 27 | 11.11 | 300 | | | | 300 |
| | EPM1350F3600 | 36 | 8.33 | 300 | | | | 300 |
| | EPM1350G4800 | 48 | 6.25 | 300 | | | | 300 |
| | EPM1350H1200 | 12 | 27.5 | 330 | | | | 330 |
| | EPM1350J1500 | 15 | 22 | 330 | | | | 330 |
| | EPM1350K1800 | 18 | 19.44 | 350 | | | | 350 |
| | EPM1350L2400 | 24 | 14.58 | 350 | | | | 350 |
| | EPM1350M2700 | 27 | 12.96 | 350 | | | | 350 |
| | EPM1350N3600 | 36 | 9.72 | 350 | | | | 350 |
| | EPM1350P4800 | 48 | 7.29 | 350 | | | | 350 |
| Single output (With FAN) | EPM1350A120F | 12 | 33.33 | 400 | | | | 400 |
| | EPM1350B150F | 15 | 26.66 | 400 | | | | 400 |
| | EPM1350C180F | 18 | 22.22 | 400 | | | | 400 |
| | EPM1350D240F | 24 | 16.66 | 400 | | | | 400 |
| | EPM1350E270F | 27 | 14.81 | 400 | | | | 400 |
| | EPM1350F360F | 36 | 11.11 | 400 | | | | 400 |
| | EPM1350G480F | 48 | 8.33 | 400 | | | | 400 |
| | EPM1350H120F | 12 | 37.5 | 450 | | | | 450 |
| | EPM1350J150F | 15 | 30 | 450 | | | | 450 |
| | EPM1350K180F | 18 | 27.77 | 500 | | | | 500 |
| | EPM1350L240F | 24 | 20.83 | 500 | | | | 500 |
| | EPM1350M270F | 27 | 18.51 | 500 | | | | 500 |
| | EPM1350N360F | 36 | 13.88 | 500 | | | | 500 |
| | EPM1350P480F | 48 | 10.41 | 500 | | | | 500 |
| Dual output | EPM2350A1200 | 12 | 25 | 300 | 5 | 0.6 | 3 | 303 |
| | EPM2350B1500 | 15 | 20 | 300 | 5 | 0.6 | 3 | 303 |
| | EPM2350C1800 | 18 | 16.67 | 300 | 5 | 0.6 | 3 | 303 |
| | EPM2350D2400 | 24 | 12.5 | 300 | 5 | 0.6 | 3 | 303 |
| | EPM2350E2700 | 27 | 11.11 | 300 | 5 | 0.6 | 3 | 303 |
| | EPM2350F3600 | 36 | 8.33 | 300 | 5 | 0.6 | 3 | 303 |
| | EPM2350G4800 | 48 | 6.25 | 300 | 5 | 0.6 | 3 | 303 |
| | EPM2350H1200 | 12 | 27.5 | 330 | 5 | 0.6 | 3 | 333 |
| | EPM2350J1500 | 15 | 22 | 330 | 5 | 0.6 | 3 | 333 |
| | EPM2350K1800 | 18 | 19.44 | 350 | 5 | 0.6 | 3 | 353 |
| | EPM2350L2400 | 24 | 14.58 | 350 | 5 | 0.6 | 3 | 353 |
| | EPM2350M2700 | 27 | 12.96 | 350 | 5 | 0.6 | 3 | 353 |
| | EPM2350N3600 | 36 | 9.72 | 350 | 5 | 0.6 | 3 | 353 |
| | EPM2350P4800 | 48 | 7.29 | 350 | 5 | 0.6 | 3 | 353 |

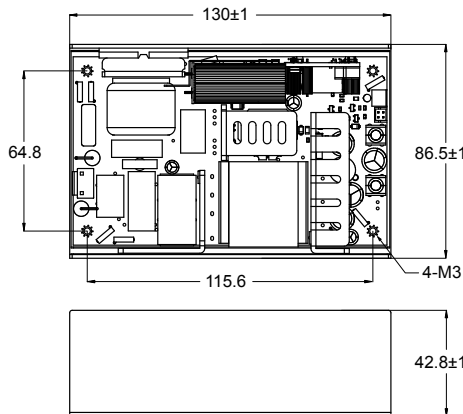
Open Frame Switching Power Supply

Medical Open Frame

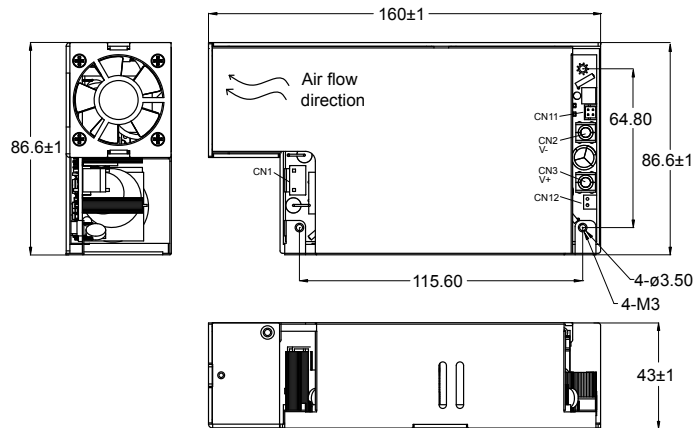
| MODEL NAME | MAIN-POWER | | | STANDBY-POWER | | | TOTAL POWER | |
|------------------------|--------------|--------|--------|---------------|--------|--------|-------------|-----|
| | Vo1(V) | Io1(A) | Wo1(W) | Vo2(V) | Io2(A) | Wo2(W) | | |
| Dual output (With FAN) | EPM2350A120F | 12 | 33.33 | 400 | 5 | 1 | 5 | 405 |
| | EPM2350B150F | 15 | 26.66 | 400 | 5 | 1 | 5 | 405 |
| | EPM2350C180F | 18 | 22.22 | 400 | 5 | 1 | 5 | 405 |
| | EPM2350D240F | 24 | 16.66 | 400 | 5 | 1 | 5 | 405 |
| | EPM2350E270F | 27 | 14.81 | 400 | 5 | 1 | 5 | 405 |
| | EPM2350F360F | 36 | 11.11 | 400 | 5 | 1 | 5 | 405 |
| | EPM2350G480F | 48 | 8.33 | 400 | 5 | 1 | 5 | 405 |
| | EPM2350H120F | 12 | 37.5 | 450 | 5 | 1 | 5 | 455 |
| | EPM2350J150F | 15 | 30 | 450 | 5 | 1 | 5 | 455 |
| | EPM2350K180F | 18 | 27.77 | 500 | 5 | 1 | 5 | 505 |
| | EPM2350L240F | 24 | 20.83 | 500 | 5 | 1 | 5 | 505 |
| | EPM2350M270F | 27 | 18.51 | 500 | 5 | 1 | 5 | 505 |
| | EPM2350N360F | 36 | 13.88 | 500 | 5 | 1 | 5 | 505 |
| | EPM2350P480F | 48 | 10.41 | 500 | 5 | 1 | 5 | 505 |

MECHANICAL

- Enclosed type



- Enclosed type with fan on the side



- Mechanical Size: 130L x 86.5W x 42.8H (mm)
160L x 86.6W x 43H (mm)
- AC Input Connector: JST B3P-VH or equivalent
- DC Output Connector: CN2 & CN3: (M3.5 Pan HD screw in 2 positions; Torque to 8 lbs-in (90cNm) max.)
CN11: (TKP DH2I-2X2 or equivalent)
CN95: (TKP DH2L-2X2 or equivalent)

| | | | |
|--------|--------|--------|--------|
| Pin1 | Pin2 | Pin3 | Pin4 |
| -Vs | +Vs | DC COM | PG |
| Pin1 | Pin2 | Pin3 | Pin4 |
| +5Vstb | DC COM | PS_ON | DC COM |

- Weight: 580g

Open Frame



Features

- Protections :
Short circuit / Over voltage / Over current
- Energy Efficiency Level 82%~89% depends on models
- No Load Power Consumption $\leq 0.21W$
- MTBF > 100,000 hours
- Customized Solutions Available

EP V WWW U XX YY

- V:** Number of outputs
- WWW:** Total power
- U:** Output range
- XX:** Specified output voltage, i.e. 12 is 12VDC
- YY:** Differential segmentation

General Specification

OUTPUT

| MODEL No. | MAX. OUTPUT POWER (W) | OUTPUT VOLTAGE (Vo) | MIN. LOAD (Io) | MAX. LOAD (Io) | LOAD REGULATION | LINE REGULATION | RIPPLE & NOISE |
|--------------|-----------------------|---------------------|----------------|----------------|-----------------|-----------------|----------------|
| EP1030AXXXYY | 30W | 5~9V | 0A | 6A | $\pm 3\%$ | $\pm 3\%$ | 180mV |
| EP1030BXXYY | 30W | 12~18V | 0A | 2.5A | $\pm 3\%$ | $\pm 3\%$ | 240mV |
| EP1030CXXYY | 30W | 19~28V | 0A | 1.57A | $\pm 3\%$ | $\pm 3\%$ | 360mV |
| EP1030DXXYY | 30W | 44~56V | 0A | 0.68A | $\pm 3\%$ | $\pm 3\%$ | 840mV |
| EP1040AXXXYY | 40W | 5~9V | 0A | 8A | $\pm 3\%$ | $\pm 3\%$ | 180mV |
| EP1040BXXYY | 40W | 12~18V | 0A | 3.33A | $\pm 3\%$ | $\pm 3\%$ | 240mV |
| EP1040CXXYY | 40W | 19~28V | 0A | 2.1A | $\pm 3\%$ | $\pm 3\%$ | 360mV |
| EP1040DXXYY | 40W | 44~56V | 0A | 0.9A | $\pm 3\%$ | $\pm 3\%$ | 840mV |
| EP1050AXXXYY | 50W | 5~9V | 0A | 10A | $\pm 3\%$ | $\pm 3\%$ | 180mV |
| EP1050BXXYY | 50W | 12~18V | 0A | 4.16A | $\pm 3\%$ | $\pm 3\%$ | 240mV |
| EP1050CXXYY | 50W | 19~28V | 0A | 2.63A | $\pm 3\%$ | $\pm 3\%$ | 360mV |
| EP1050DXXYY | 50W | 44~56V | 0A | 1.13A | $\pm 3\%$ | $\pm 3\%$ | 840mV |
| EP1060BXXYY | 60W | 12~18V | 0A | 5A | $\pm 3\%$ | $\pm 3\%$ | 240mV |
| EP1060CXXYY | 60W | 19~28V | 0A | 3.15A | $\pm 3\%$ | $\pm 3\%$ | 360mV |
| EP1060DXXYY | 60W | 44~56V | 0A | 1.36A | $\pm 3\%$ | $\pm 3\%$ | 840mV |
| EP1065BXXYY | 65W | 12~18V | 0A | 5.41A | $\pm 3\%$ | $\pm 3\%$ | 240mV |
| EP1065CXXYY | 65W | 19~28V | 0A | 3.42A | $\pm 3\%$ | $\pm 3\%$ | 360mV |
| EP1065DXXYY | 65W | 44~56V | 0A | 1.47A | $\pm 3\%$ | $\pm 3\%$ | 840mV |
| EP1072B1200 | 72W | 12V | 0A | 6A | $\pm 3\%$ | $\pm 3\%$ | 240mV |

NOTE:

- 1 : Ripple & Noise is measured by using 20MHz bandwidth limited oscilloscope and terminated each output with a 0.1uF ceramic capacitor & parallel with 47uF aluminum capacitor at full load and nominal line.
- 2 : Line regulation is defined by changing $\pm 10\%$ of input voltage from nominal line at rated load.
- 3 : Max. Power (W) $\geq V_o \times I_o$

INPUT

- Input Range: 100 to 240 VAC
- Frequency: 50 to 60Hz
- Input Current: $\leq 1.5A$
- Inrush Current: $\leq 120A/230VAC$
- Hold Up Time: $\geq 8.3ms$
- Turn On Time: $\leq 3s$

PROTECTION

- Short Circuit Protection: Auto Recovery
- Over Current Protection: Auto Recovery
- Over Voltage Protection: Latch-off or Auto Recovery

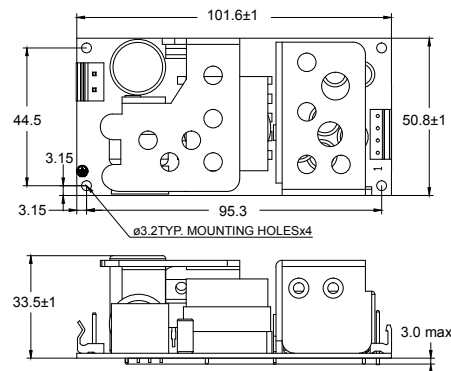
ENVIRONMENT

- Operating Temperature: -20 to 50°C
- Storage Temperature: -20 to 85°C
- Operating Humidity: 10% to 90 %
- Storage Humidity: 5% to 95 %

SAFETY

- Certified for whole series: UL 62368-1, CAN/CSA C22.2 No. 62368-1, TUV EN 62368-1, CB IEC 62368-1, FCC Part 15B, CE EMC(EN 55032+EN 55035)

MECHANICAL



- Mechanical Size: 101.6L x 50.8W x 33.5H (mm)
- AC Input Connector: Molex 09-65-2048 or equivalent
- DC Output Connector: JST VH Series or equivalent
- Pin Assignment:

| | | | |
|---------------|------|-------|----|
| Single Output | P1-3 | P4-6 | P7 |
| | GND | 5~48V | NA |

- Weight: 200g

Open Frame



Features

- Protections:
Short circuit / Over voltage / Over current
- Energy Efficiency Level VI
- No Load Power Consumption $\leq 0.21W$
- MTBF > 50,000 hours
- Customized Solutions Available

EP1100 A

A: No PFC function

General Specification

OUTPUT

| MODEL No. | MAX. OUTPUT POWER (W) | OUTPUT VOLTAGE (Vo) | MIN. LOAD (Io) | MAX. LOAD (Io) | LOAD REGULATION | LINE REGULATION | RIPPLE & NOISE |
|-----------|-----------------------|---------------------|----------------|----------------|-----------------|-----------------|----------------|
| EP1100A | 100W | 12V | 0A | 8.33A | $\pm 5\%$ | $\pm 1\%$ | 240mV |

NOTE:

- 1 : Ripple & Noise is measured by using 20MHz bandwidth limited oscilloscope and terminated each output with a 0.1uF ceramic capacitor & parallel with 47uF aluminum capacitor at full load and nominal line.
- 2 : Line regulation is defined by changing $\pm 10\%$ of input voltage from nominal line at rated load.
- 3 : Max. Power (W) $\geq V_o \times I_o$

INPUT

- Input Range: 100 to 240 VAC
- Frequency: 50 to 60Hz
- Input Current: $\leq 2.5A$
- Inrush Current: $\leq 100A/230VAC$
- Hold Up Time: $\geq 8.3ms$
- Turn On Time: $\leq 3s$

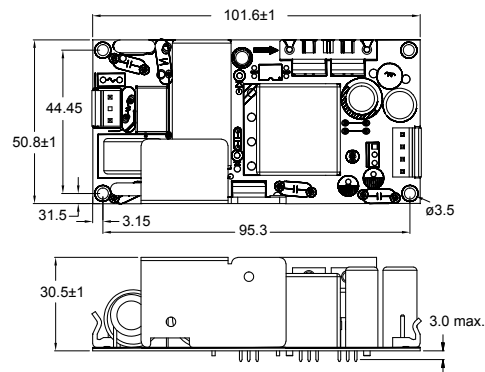
PROTECTION

- Short Circuit Protection: Auto Recovery
- Over Voltage Protection: Auto Recovery
- Over Current Protection: Auto Recovery

ENVIRONMENT

- Operating Temperature: -20 to 50°C
- Storage Temperature: -20 to 85°C
- Operating Humidity: 10% to 90%
- Storage Humidity: 5% to 95%

MECHANICAL



- Mechanical Size: 101.6L x 50.8W x 30.5H (mm)
- AC Input Connector: Molex 09-65-2048 or equivalent
- DC Output Connector: JST VH Series or equivalent
- Pin Assignment:

CON2:

| | | |
|---------------|------|------|
| Single Output | P1-2 | P3-4 |
| | GND | VOUT |

- Weight: 200g

SAFETY

- Certified for whole series: UL/cUL 60950-1, CB IEC 60950-1, FCC

Open Frame



Features

- Active PFC Function
- Protections:
Short circuit / Over voltage / Over current
Over temperature
- Energy Efficiency Level VI
- No Load Power Consumption $\leq 0.21W$
- MTBF > 100,000 hours
- Customized Solutions Available

EP1121 X - vw

- X:** Output range
vw: Specified output voltage, i.e. 24 is 24VDC

General Specification

OUTPUT

| MODEL No. | MAX. OUTPUT POWER (W) | OUTPUT VOLTAGE (Vo) | MIN. LOAD (Io) | MAX. LOAD (Io) | LOAD REGULATION | LINE REGULATION | RIPPLE & NOISE |
|-----------|-----------------------|---------------------|----------------|----------------|-----------------|-----------------|----------------|
| EP1121A | 100W | 12~16V | 0A | 6.25~8.33A | $\pm 5\%$ | $\pm 1\%$ | 270mV |
| EP1121B | | 19~24V | | 4.16~5.26A | | | 360mV |
| EP1121C | | 48~52V | | 1.92~2.08A | | | 780mV |
| EP1121D | 120W | 12~16V | 0A | 7.5~10A | $\pm 5\%$ | $\pm 1\%$ | 270mV |
| EP1121E | | 19~24V | | 5~6.31A | | | 360mV |
| EP1121F | | 48~52V | | 2.3~2.5A | | | 780mV |
| EP1121H | 130W | 19~24V | 0A | 5.41~6.84A | $\pm 5\%$ | $\pm 1\%$ | 360mV |

NOTE:

- 1 : Ripple & Noise is measured by using 20MHz bandwidth limited oscilloscope and terminated each output with a 0.1uF ceramic capacitor & parallel with 47uF aluminum capacitor at full load and nominal line.
- 2 : Line regulation is defined by changing $\pm 10\%$ of input voltage from nominal line at rated load.
- 3 : Max. Power (W) $\geq V_o \times I_o$

INPUT

- Input Range 100 to 240 VAC
- Frequency 50 to 60Hz
- Input Current $\leq 2A$
- Inrush Current $\leq 120A/230VAC$
- Hold Up Time $\geq 8.3ms$
- Turn On Time $\leq 3s$

PROTECTION

- Short Circuit Protection Auto Recovery
- Over Voltage Protection Latch-off or Auto Recovery
- Over Current Protection Auto Recovery
- Over Temperature Protection Latch-off or Auto Recovery

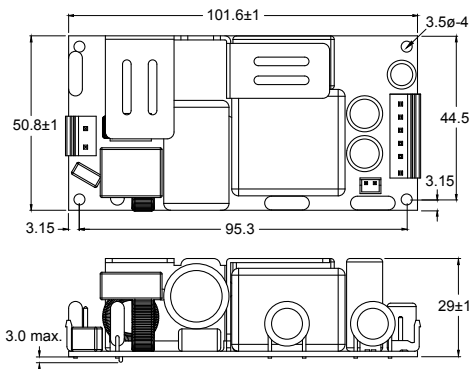
ENVIRONMENT

- Operating Temperature -20 to 50°C
- Storage Temperature -20 to 85°C
- Operating Humidity 10% to 90%
- Storage Humidity 5% to 95%

SAFETY

- Complied with UL/cUL 62368-1, CB IEC 62368-1, CE

MECHANICAL



- Mechanical Size: 101.6L x 50.8W x 29H (mm)
- AC Input Connector: Molex 09-65-2048 or equivalent
- DC Output Connector: JST VH Series or equivalent
- Pin Assignment:

CON2:

| | | |
|---------------|------|------|
| Single Output | P1-3 | P4-6 |
| | GND | VOUT |

- Weight: 250g

Medical Open Frame



Features

- 2 x MOPP Compliance, IEC60601-1 Approval
- Protections:
Short circuit / Over voltage / Over current
- MTBF > 100,000 hours
- Customized Solutions Available

EPM V WWW XX Y Z

- V:** Numbers of outputs
- WWW:** Total power
- XX:** Output voltage of main power
- Y:** Output voltage except for main power
- Z:** Output current except for main power

General Specification

OUTPUT

| | MODEL No. | OUTPUT POWER (W) | OUTPUT VOLTAGE (Vdc) | LOAD | | LOAD REGULATION | RIPPLE & NOISE |
|---------------|------------|------------------|----------------------|-----------|----------|-----------------|----------------|
| | | | | MIN. (IO) | MAX. (I) | | |
| Single Output | EPM1065XYZ | 65W | 12,15,19,24,36,48V | | 5.41A | ± 5% Max. | ± 2% Max. |
| | EPM1060XYZ | 60W | 12,15,19,24,36,48V | | 5A | ± 5% Max. | ± 2% Max. |
| | EPM1050XYZ | 50W | 5,12,15,19,24,36,48V | | 10A | ± 5% Max. | ± 2% Max. |
| | EPM1045XYZ | 45W | 5,12,15,19,24,36,48V | | 9A | ± 5% Max. | ± 2% Max. |
| | EPM1040XYZ | 40W | 5,12,15,19,24,36,48V | | 8A | ± 5% Max. | ± 2% Max. |
| Dual Output | EPM2WWWXYZ | 30~65W | 12,15,19,24V | 0.5A | 5.2A | ± 5% Max. | ± 2% Max. |
| | | | 5V | 0.5A | 4A | ± 5% Max. | ± 2% Max. |
| Triple Output | EPM3WWWXYZ | 45~65W | 12,24V | 0.5A | 3.86A | ± 5% Max. | ± 2% Max. |
| | | | 5V | 0.5A | 4A | ± 5% Max. | ± 2% Max. |
| | | | -12V | | 0.3A | | |

NOTE:

- 1 : Ripple & Noise is measured by using 20MHz bandwidth limited oscilloscope and terminated each output with a 0.1uF ceramic capacitor & parallel with 47uF aluminum capacitor at full load and nominal line.
- 2 : Line regulation is defined by changing ±10% of input voltage from nominal line at rated load.
- 3 : Max. Power (W) ≥ Vo x Io

INPUT

- Input Range: 100 to 240 VAC
- Frequency: 50 to 60Hz
- Input Current: ≤ 1.5A
- Inrush Current: ≤ 120A/230VAC
- Hold Up Time: ≥ 8.3ms
- Turn On Time: ≤ 3s

PROTECTION

- Short Circuit Protection: Auto Recovery
- Over Current Protection: Auto Recovery
- Over Voltage Protection: Latch-off or Auto Recovery

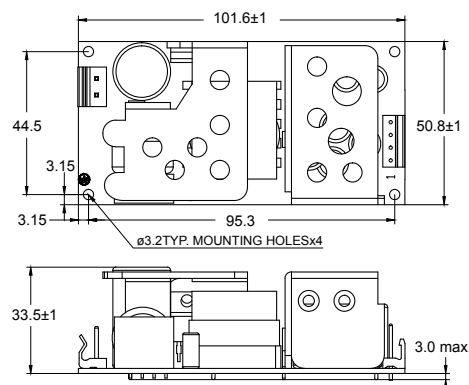
ENVIRONMENT

- Operating Temperature: -20 to 50°C
- Storage Temperature: -20 to 85°C
- Operating Humidity: 10% to 90%
- Storage Humidity: 5% to 95%

SAFETY

- Complied with UL/cUL 60601-1, TUV EN 60601-1, CB IEC 60601-1, FCC, CE

MECHANICAL



- Mechanical Size: 101.6L x 50.8W x 33.5H (mm)
- AC Input Connector: Molex 09-65-2048 or equivalent
- DC Output Connector: JST VH Series or equivalent
- Pin Assignment:

| | | | | |
|---------------|------|-------|------------|--------|
| Single Output | P1-3 | P4-6 | P7 | |
| | GND | 5~48V | 5V(option) | |
| Multi Output | P1 | P2-3 | P4-5 | P6-7 |
| | -12V | 5V | GND | 12~24V |

- Weight: 200g

Medical Open Frame

E PM V WWW XX Y Z

| E | PM | V | WWW | XX | Y | Z |
|----------|--------------------|--------------------|-------------------------------|--|--|--|
| BUSINESS | TYPE | NUMBERS OF OUTPUTS | TOTAL POWER | OUTPUT VOLTAGE OF MAIN POWER | OUTPUT VOLTAGE EXCEPT FOR MAIN POWER | OUTPUT CURRENT EXCEPT FOR MAIN POWER |
| EDAC | Medical Open Frame | 1 2 3 | 030 050 040 060 045 065 | 05=5V 24=24V 12=12V 36=36V 15=15V 48=48V 19=19V | 0 = NA D = 5V(0.5A) E = 5V(2A~4A) T = 5V+(- 12V/0.3A) | 0=NA 2= 5V/2A 3= 5V/3A 4= 5V/4A |

| MODEL NAME | MAIN - POWER | | | 5V/0.5A- POWER | | | 5V/2~4A POWER | | | -12V POWER | | | TOTAL POWER |
|-------------|--------------|--------|--------|----------------|--------|--------|---------------|--------|--------|------------|--------|--------|-------------|
| | Vo1(V) | Io1(I) | Wo1(W) | Vo2(V) | Io2(I) | Wo2(W) | Vo2(V) | Io2(I) | Wo2(W) | Vo3(V) | Io3(I) | Wo3(W) | |
| EPM10651200 | 12 | 5.41 | 65 | | | | | | | | | | 65 |
| EPM10651500 | 15 | 4.33 | 65 | | | | | | | | | | 65 |
| EPM10651900 | 19 | 3.42 | 65 | | | | | | | | | | 65 |
| EPM10652400 | 24 | 2.70 | 65 | | | | | | | | | | 65 |
| EPM10653600 | 36 | 1.80 | 65 | | | | | | | | | | 65 |
| EPM10654800 | 48 | 1.35 | 65 | | | | | | | | | | 65 |
| EPM10601200 | 12 | 5.00 | 60 | | | | | | | | | | 60 |
| EPM10601500 | 15 | 4.00 | 60 | | | | | | | | | | 60 |
| EPM10601900 | 19 | 3.15 | 60 | | | | | | | | | | 60 |
| EPM10602400 | 24 | 2.50 | 60 | | | | | | | | | | 60 |
| EPM10603600 | 36 | 1.66 | 60 | | | | | | | | | | 60 |
| EPM10604800 | 48 | 1.25 | 60 | | | | | | | | | | 60 |
| EPM10500500 | 5 | 10.00 | 50 | | | | | | | | | | 50 |
| EPM10501200 | 12 | 4.16 | 50 | | | | | | | | | | 50 |
| EPM10501500 | 15 | 3.33 | 50 | | | | | | | | | | 50 |
| EPM10501900 | 19 | 2.63 | 50 | | | | | | | | | | 50 |
| EPM10502400 | 24 | 2.08 | 50 | | | | | | | | | | 50 |
| EPM10503600 | 36 | 1.38 | 50 | | | | | | | | | | 50 |
| EPM10504800 | 48 | 1.04 | 50 | | | | | | | | | | 50 |
| EPM10450500 | 5 | 9.00 | 45 | | | | | | | | | | 45 |
| EPM10451200 | 12 | 3.75 | 45 | | | | | | | | | | 45 |
| EPM10451500 | 15 | 3.00 | 45 | | | | | | | | | | 45 |
| EPM10451900 | 19 | 2.36 | 45 | | | | | | | | | | 45 |
| EPM10452400 | 24 | 1.87 | 45 | | | | | | | | | | 45 |
| EPM10453600 | 36 | 1.25 | 45 | | | | | | | | | | 45 |
| EPM10454800 | 48 | 0.93 | 45 | | | | | | | | | | 45 |
| EPM10400500 | 5 | 8.00 | 40 | | | | | | | | | | 40 |
| EPM10401200 | 12 | 3.33 | 40 | | | | | | | | | | 40 |
| EPM10401500 | 15 | 2.66 | 40 | | | | | | | | | | 40 |
| EPM10401900 | 19 | 2.10 | 40 | | | | | | | | | | 40 |
| EPM10402400 | 24 | 1.66 | 40 | | | | | | | | | | 40 |
| EPM10403600 | 36 | 1.11 | 40 | | | | | | | | | | 40 |
| EPM10404800 | 48 | 0.83 | 40 | | | | | | | | | | 40 |
| EPM10300500 | 5 | 6.00 | 30 | | | | | | | | | | 30 |
| EPM10301200 | 12 | 2.50 | 30 | | | | | | | | | | 30 |
| EPM10301500 | 15 | 2.00 | 30 | | | | | | | | | | 30 |
| EPM10301900 | 19 | 1.57 | 30 | | | | | | | | | | 30 |
| EPM10302400 | 24 | 1.25 | 30 | | | | | | | | | | 30 |

Single output

Open Frame Switching Power Supply

Medical Open Frame

| MODEL NAME | MAIN - POWER | | | 5V/0.5A- POWER | | | 5V/2~4A POWER | | | -12V POWER | | | TOTAL POWER |
|-------------|--------------|--------|--------|----------------|--------|--------|---------------|--------|--------|------------|--------|--------|-------------|
| | Vo1(V) | Io1(I) | Wo1(W) | Vo2(V) | Io2(I) | Wo2(W) | Vo2(V) | Io2(I) | Wo2(W) | Vo3(V) | IO3(I) | Wo3(W) | |
| EPM206512D0 | 12 | 5.20 | 62.5 | 5 | 0.5 | 2.5 | | | | | | | 65 |
| EPM206515D0 | 15 | 4.16 | 62.5 | 5 | 0.5 | 2.5 | | | | | | | 65 |
| EPM206519D0 | 19 | 3.28 | 62.5 | 5 | 0.5 | 2.5 | | | | | | | 65 |
| EPM206524D0 | 24 | 2.60 | 62.5 | 5 | 0.5 | 2.5 | | | | | | | 65 |
| EPM206512E3 | 12 | 4.16 | 50 | | | | 5 | 3 | 15 | | | | 65 |
| EPM206524E3 | 24 | 2.08 | 50 | | | | 5 | 3 | 15 | | | | 65 |
| EPM206512E4 | 12 | 3.75 | 45 | | | | 5 | 4 | 20 | | | | 65 |
| EPM206524E4 | 24 | 1.87 | 45 | | | | 5 | 4 | 20 | | | | 65 |
| EPM205012D0 | 12 | 3.95 | 47.5 | 5 | 0.5 | 2.5 | | | | | | | 50 |
| EPM205015D0 | 15 | 3.16 | 47.5 | 5 | 0.5 | 2.5 | | | | | | | 50 |
| EPM205019D0 | 19 | 2.50 | 47.5 | 5 | 0.5 | 2.5 | | | | | | | 50 |
| EPM205024D0 | 24 | 1.97 | 47.5 | 5 | 0.5 | 2.5 | | | | | | | 50 |
| EPM205012E3 | 12 | 2.91 | 35 | | | | 5 | 3 | 15 | | | | 50 |
| EPM205024E3 | 24 | 1.45 | 35 | | | | 5 | 3 | 15 | | | | 50 |
| EPM205012E4 | 12 | 2.50 | 30 | | | | 5 | 4 | 20 | | | | 50 |
| EPM205024E4 | 24 | 1.25 | 30 | | | | 5 | 4 | 20 | | | | 50 |
| EPM204512D0 | 12 | 3.54 | 42.5 | 5 | 0.5 | 2.5 | | | | | | | 45 |
| EPM204515D0 | 15 | 2.83 | 42.5 | 5 | 0.5 | 2.5 | | | | | | | 45 |
| EPM204519D0 | 19 | 2.23 | 42.5 | 5 | 0.5 | 2.5 | | | | | | | 45 |
| EPM204524D0 | 24 | 1.77 | 42.5 | 5 | 0.5 | 2.5 | | | | | | | 45 |
| EPM204512E2 | 12 | 2.91 | 35 | | | | 5 | 2 | 10 | | | | 45 |
| EPM204524E2 | 24 | 1.45 | 35 | | | | 5 | 2 | 10 | | | | 45 |
| EPM204512E3 | 12 | 2.50 | 30 | | | | 5 | 3 | 15 | | | | 45 |
| EPM204524E3 | 24 | 1.25 | 30 | | | | 5 | 3 | 15 | | | | 45 |
| EPM204012D0 | 12 | 3.12 | 37.5 | 5 | 0.5 | 2.5 | | | | | | | 40 |
| EPM204015D0 | 15 | 2.50 | 37.5 | 5 | 0.5 | 2.5 | | | | | | | 40 |
| EPM204019D0 | 19 | 1.97 | 37.5 | 5 | 0.5 | 2.5 | | | | | | | 40 |
| EPM204024D0 | 24 | 1.56 | 37.5 | 5 | 0.5 | 2.5 | | | | | | | 40 |
| EPM204012E2 | 12 | 2.50 | 30 | | | | 5 | 2 | 10 | | | | 40 |
| EPM204024E2 | 24 | 1.25 | 30 | | | | 5 | 2 | 10 | | | | 40 |
| EPM204012E3 | 12 | 2.08 | 25 | | | | 5 | 3 | 15 | | | | 40 |
| EPM204024E3 | 24 | 1.04 | 25 | | | | 5 | 3 | 15 | | | | 40 |
| EPM203012D0 | 12 | 2.29 | 27.5 | 5 | 0.5 | 2.5 | | | | | | | 30 |
| EPM203015D0 | 15 | 1.83 | 27.5 | 5 | 0.5 | 2.5 | | | | | | | 30 |
| EPM203019D0 | 19 | 1.44 | 27.5 | 5 | 0.5 | 2.5 | | | | | | | 30 |
| EPM203024D0 | 24 | 1.14 | 27.5 | 5 | 0.5 | 2.5 | | | | | | | 30 |
| EPM203012E2 | 12 | 1.66 | 20 | | | | 5 | 2 | 10 | | | | 30 |
| EPM203024E2 | 24 | 0.83 | 20 | | | | 5 | 2 | 10 | | | | 30 |
| EPM306512T3 | 12 | 3.86 | 46.4 | | | | 5 | 3 | 15 | -12 | 0.3 | 3.6 | 65 |
| EPM306512T4 | 12 | 3.45 | 41.4 | | | | 5 | 4 | 20 | -12 | 0.3 | 3.6 | 65 |
| EPM305012T3 | 12 | 2.61 | 31.4 | | | | 5 | 3 | 15 | -12 | 0.3 | 3.6 | 50 |
| EPM305012T4 | 12 | 2.20 | 26.4 | | | | 5 | 4 | 20 | -12 | 0.3 | 3.6 | 50 |
| EPM304512T2 | 12 | 2.61 | 31.4 | | | | 5 | 2 | 10 | -12 | 0.3 | 3.6 | 45 |
| EPM304512T3 | 12 | 2.20 | 26.4 | | | | 5 | 3 | 15 | -12 | 0.3 | 3.6 | 45 |
| EPM306524T3 | 24 | 1.93 | 46.4 | | | | 5 | 3 | 15 | -12 | 0.3 | 3.6 | 65 |
| EPM306524T4 | 24 | 1.72 | 41.4 | | | | 5 | 4 | 20 | -12 | 0.3 | 3.6 | 65 |
| EPM305024T3 | 24 | 1.30 | 31.4 | | | | 5 | 3 | 15 | -12 | 0.3 | 3.6 | 50 |
| EPM305024T4 | 24 | 1.10 | 26.4 | | | | 5 | 4 | 20 | -12 | 0.3 | 3.6 | 50 |
| EPM304524T2 | 24 | 1.30 | 31.4 | | | | 5 | 2 | 10 | -12 | 0.3 | 3.6 | 45 |
| EPM304524T3 | 24 | 1.10 | 26.4 | | | | 5 | 3 | 15 | -12 | 0.3 | 3.6 | 45 |

Dual output

Triple output

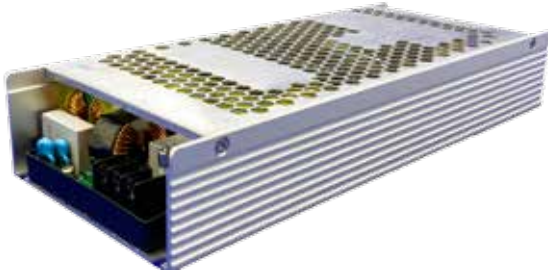
Open Frame Switching Power Supply



▶ Enclosed Switching Power Supply

- Designs based on ITE and Industrial Regulations
 - Fanless and Conduction-cooled Design
 - High Power up to 2500W
 - Multiple Protections
 - Slim and Low Profile
 - Customized Solutions Available

Enclosed AC/DC Switching Power Supply



Features

- Slim and Low Profile
- Protections :
Short circuit / Over voltage / Over current
Over temperature
- Energy Efficiency $\geq 92\sim 95\%$ depends on models
- MTBF > 50,000 hours
- Fanless and Conduction-cooled Design
- Withstand 300VAC Surge Input for 5 seconds
- Built-in Active PFC Function
- DC OK Active Signal
- LED Indicator

EP1800 XX YY

XX: Specified output voltage, i.e. 12 is 12VDC
YY: Differential segmentation

General Specification

OUTPUT

| MODEL No. | MAX. OUTPUT POWER (W) | OUTPUT VOLTAGE (Vo) | MIN. LOAD (Io) | MAX. LOAD (Io) | LOAD REGULATION | LINE REGULATION | RIPPLE & NOISE |
|------------|-----------------------|---------------------|----------------|----------------|-----------------|-----------------|----------------|
| EP180012YY | 750W | 12V | 0A | 62.5A | $\pm 0.5\%$ | $\pm 0.5\%$ | 150mV |
| EP180024YY | 800W | 24V | 0A | 33.33A | $\pm 0.5\%$ | $\pm 0.5\%$ | 200mV |
| EP180036YY | 800W | 36V | 0A | 22.22A | $\pm 0.5\%$ | $\pm 0.5\%$ | 250mV |
| EP180048YY | 800W | 48V | 0A | 16.66A | $\pm 0.5\%$ | $\pm 0.5\%$ | 250mV |

NOTE:

- 1 : Ripple & Noise is measured by using 20MHz bandwidth limited oscilloscope and terminated each output with a 0.1uF ceramic capacitor & parallel with 47uF aluminum capacitor at full load and nominal line.
- 2 : Line regulation is defined by changing $\pm 10\%$ of input voltage from nominal line at rated load.
- 3 : Max. Power (W) $\geq V_o \times I_o$

INPUT

- Input Range 100 to 240VAC
- Frequency 50 to 60Hz
- Input Current $\leq 7.5A$
- Inrush Current $\leq 40A/230VAC$
- Hold Up Time $\geq 8.3ms$
- Turn On Time $\leq 1s$

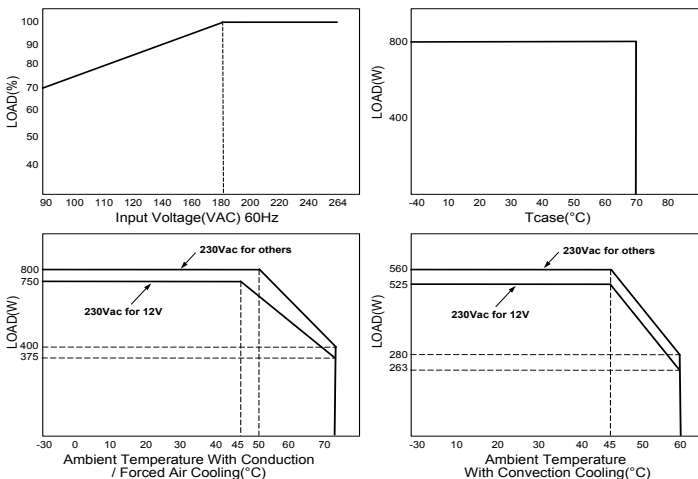
PROTECTION

- Short Circuit Protection Auto Recovery
- Over Circuit Protection Auto Recovery
- Over Voltage Protection Latch-off
- Over Temperature Protection Auto Recovery

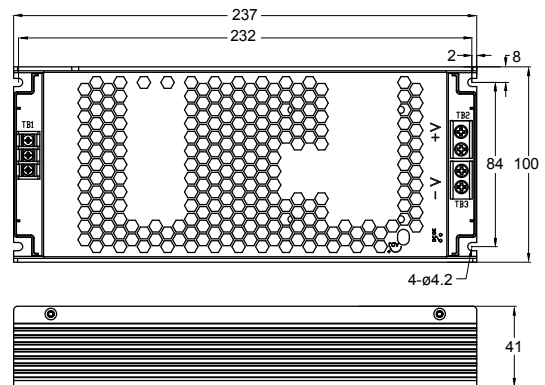
ENVIRONMENT

- Operating Temperature -30 to 70°C
- Storage Temperature -40 to 85°C
- Operating Humidity 20% to 90 %
- Storage Humidity 10% to 95 %

DERATING CURVE



MECHANICAL



- Mechanical Size: 237L x 100W x 41H (mm)

- Pin Assignment:

AC Input Terminal (CN1): DECAT21 or equivalent

| Pin No. | Assignment |
|---------|------------|
| 1 | AC/L |
| 2 | AC/N |
| 3 | ⊥ |

DC Output Terminal (CN2,CN3 & CN7,CN8): EDAC Terminal

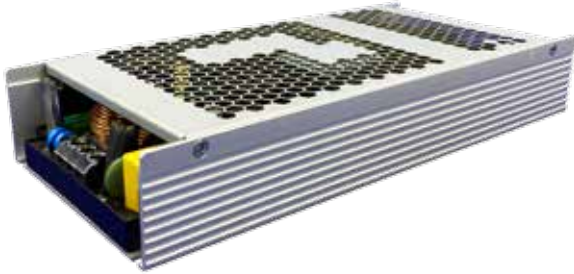
| Pin No. | Assignment |
|---------|------------|
| CN2,CN3 | +V |
| CN7,CN8 | -V |

- Weight: 1400g

SAFETY

- Complied with UL 62368-1, CAN/CSA C22.2 No. 62368-1, TUV EN 62368-1, CB IEC 62368-1, FCC Part 15B, CE EMC(EN 55032+EN 55035)

Enclosed AC/DC Switching Power Supply



Features

- Slim and Low Profile
- Protections:
 - Short circuit / Over voltage / Over current
 - Over temperature (optional)
- Energy Efficiency $\geq 89\%$ ~92% depends on models
- MTBF > 50,000 hours
- Fanless and Conduction-cooled Design
- Withstand 300VAC Surge Input for 5 seconds
- Built-in Active PFC Function
- Built-in Remote ON-OFF Control
- DC OK Active Signal
- LED Indicator

EP11000 XX YY

XX: Specified output voltage, i.e. 12 is 12VDC
YY: Differential segmentation

General Specification

OUTPUT

| MODEL No. | MAX. OUTPUT POWER (W) | OUTPUT VOLTAGE (Vo) | MIN. LOAD (Io) | MAX. LOAD (Io) | LOAD REGULATION | LINE REGULATION | RIPPLE & NOISE |
|-------------|-----------------------|---------------------|----------------|----------------|-----------------|-----------------|----------------|
| EP1100012YY | 960W | 12V | 0A | 80A | $\pm 0.5\%$ | $\pm 0.5\%$ | 150mV |
| EP1100024YY | 1008W | 24V | 0A | 42A | $\pm 0.5\%$ | $\pm 0.5\%$ | 240mV |
| EP1100036YY | 1008W | 36V | 0A | 28A | $\pm 0.5\%$ | $\pm 0.5\%$ | 240mV |
| EP1100048YY | 1008W | 48V | 0A | 21A | $\pm 0.5\%$ | $\pm 0.5\%$ | 300mV |

NOTE:

- 1 : Ripple & Noise is measured by using 20MHz bandwidth limited oscilloscope and terminated each output with a 0.1uF ceramic capacitor & parallel with 47uF aluminum capacitor at full load and nominal line.
- 2 : Line regulation is defined by changing $\pm 10\%$ of input voltage from nominal line at rated load.
- 3 : Max. Power (W) $\geq V_o \times I_o$

INPUT

- Input Range: 100 to 240VAC
- Frequency: 50 to 60Hz
- Input Current: $\leq 11A$
- Inrush Current: $\leq 40A/230VAC$
- Hold Up Time: $\geq 8.3ms$
- Turn On Time: $\leq 1s$

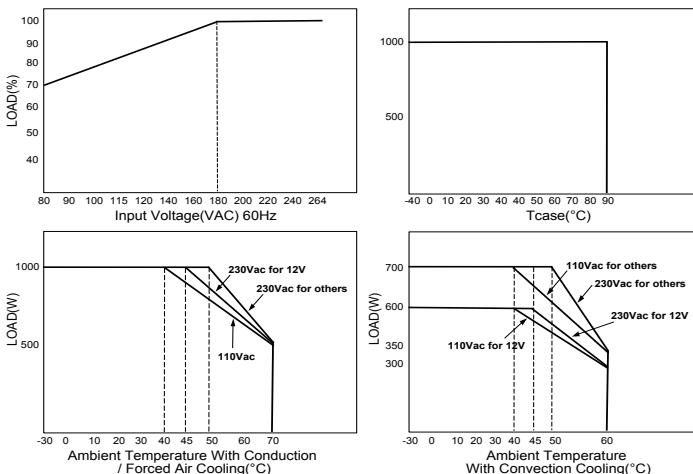
PROTECTION

- Short Circuit Protection: Latch-off or Auto Recovery
- Over Current Protection: Latch-off or Auto Recovery
- Over Voltage Protection: Latch-off or Auto Recovery
- Over Temperature Protection: Latch-off or Auto Recovery

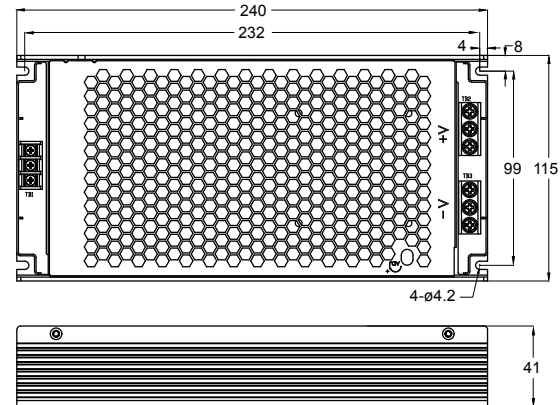
ENVIRONMENT

- Operating Temperature: -30 to 70°C
- Storage Temperature: -40 to 85°C
- Operating Humidity: 20% to 90 %
- Storage Humidity: 10% to 95 %

DERATING CURVE



MECHANICAL



- Mechanical Size: 240L x 115W x 41H (mm)
- Pin Assignment:

AC Input Terminal (TB1): T42-ES11-03 or equivalent

| Pin No. | Assignment |
|---------|------------|
| 1 | AC/L |
| 2 | AC/N |
| 3 | ⊥ |

DC Output Terminal (TB2 & TB3): EDAC Terminal

| Pin No. | Assignment |
|---------|------------|
| TB2 | +V |
| TB3 | -V |

- Weight: 1800g

SAFETY

- Complied with UL 62368-1, CAN/CSA C22.2 No. 62368-1, TUV EN 62368-1, CB IEC 62368-1, FCC Part 15B, CE EMC(EN 55032+EN 55035)

Enclosed AC/DC Switching Power Supply



Features

- Slim and Low Profile
- Protections:
 - Short circuit / Over voltage / Over current
 - Over temperature (optional)
- Energy Efficiency $\geq 94\%$ ~95% depends on models
- MTBF > 50,000 hours
- Fanless and Conduction-cooled Design
- Built-in Active PFC Function
- Built-in Remote ON-OFF Control
- DC OK Active Signal
- LED Indicator

EP1500 XX YY

XX: Specified output voltage, i.e. 12 is 12VDC
YY: Differential segmentation

General Specification

OUTPUT

| MODEL No. | MAX. OUTPUT POWER (W) | OUTPUT VOLTAGE (Vo) | MIN. LOAD (Io) | MAX. LOAD (Io) | LOAD REGULATION | LINE REGULATION | RIPPLE & NOISE |
|-------------|-----------------------|---------------------|----------------|----------------|-----------------|-----------------|----------------|
| EP1150024YY | 1500W | 24V | 0A | 62.5A | $\pm 0.5\%$ | $\pm 0.5\%$ | 240mV |
| EP1150048YY | 1512W | 48V | 0A | 31.5A | $\pm 0.5\%$ | $\pm 0.5\%$ | 350mV |

NOTE:

- 1 : Ripple & Noise is measured by using 20MHz bandwidth limited oscilloscope and terminated each output with a 0.1uF ceramic capacitor & parallel with 47uF aluminum capacitor at full load and nominal line.
- 2 : Line regulation is defined by changing $\pm 10\%$ of input voltage from nominal line at rated load.
- 3 : Max. Power (W) $\geq V_o \times I_o$

INPUT

- Input Range: 100 to 240VAC
- Frequency: 50 to 60Hz
- Input Current: $\leq 11A$
- Inrush Current: $\leq 60A/230VAC$
- Hold Up Time: $\geq 10ms$
- Turn On Time: $\leq 2s$

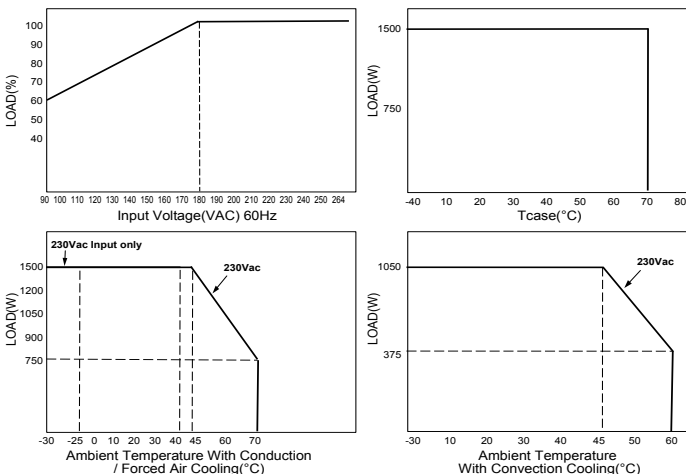
PROTECTION

- Short Circuit Protection: Auto Recovery
- Over Circuit Protection: Auto Recovery
- Over Voltage Protection: Latch-off
- Over Temperature Protection: Auto Recovery

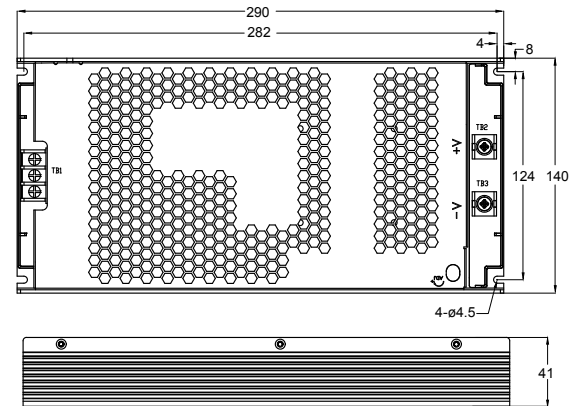
ENVIRONMENT

- Operating Temperature: -30 to 70°C
- Storage Temperature: -40 to 85°C
- Operating Humidity: 20% to 90 %
- Storage Humidity: 10% to 95 %

DERATING CURVE



MECHANICAL



- Mechanical Size: 290L x 140W x 41H (mm)

- Pin Assignment:

AC Input Terminal (TB1): DECAT25

| Pin No. | Assignment |
|---------|------------|
| 1 | AC/L |
| 2 | AC/N |
| 3 | ⊥ |

DC Output Terminal: EDAC Terminal

| Pin No. | Assignment |
|---------|------------|
| TB2 | +V |
| TB3 | -V |

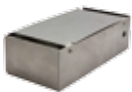









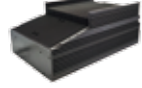
- Weight: 2600g

SAFETY

- Complied with UL 62368-1, CAN/CSA C22.2 No. 62368-1, TUV EN 62368-1, CB IEC 62368-1, FCC Part 15B, CE EMC(EN 55032+EN 55035)

EPL Series

AC/DC Single Output Input: 100~240VAC

| | Series | Output Power (Max.) | Output Voltage | Size (mm) |
|--|----------|---------------------|----------------|---------------------|
| NEW  | EPL1130 | 130W | 15V | 142L x 70W x 42H |
| NEW  | EPL1181 | 180W | 15V/48V | 120L x 70W x 30H |
| NEW  | EPL1183 | 180W | 57V | 102L x 90W x 40H |
| NEW  | EPL1250 | 250W | 57V | 125L x 75W x 40H |
| NEW  | EPL1320 | 360W | 30V | 180L x 80W x 51H |
| NEW  | EPL1320B | 360W | 48V | 220L x 72W x 35H |
| NEW  | EPL1350 | 350W | 48V/57V | 125L x 95W x 40H |
| NEW  | EPL1600 | 600W | 48V | 200L x 100W x 61H |
| NEW  | EPL1720 | 720W | 48V | 210L x 130W x 79H |
| NEW  | EPL1720B | 720W | 48V | 212L x 130W x 71.6H |
| NEW  | EPL1730 | 750W | 48V | 255L x 72W x 35H |
| NEW  | EPL1740 | 720W | 48V | 210L x 115W x 50.5H |
| NEW  | EPL1800 | 800W | 48V | 230L x 100W x 61H |
| NEW  | EPL11000 | 1000W | 48V | 300L x 180W x 80H |
| NEW  | EPL11001 | 1000W | 48V | 224L x 110W x 72.6H |
| NEW  | EPL11440 | 1440W | 48V | 236L x 150W x 70H |
| NEW  | EPL11500 | 1440W | 48V | 230L x 130W x 60H |
| NEW  | EPL12500 | 2500W | 96V | 300L x 190W x 110H |



▶ DC/DC Switching Converter

- Input Voltage Protection
- LED Indicator

DC/DC Switching Converter



Features

- Input Voltage Protection
- LED Indicator
- Protections:
 - Short circuit / Over voltage / Over current
 - Over temperature
- Efficiency 85% Min. Nominal Input
- MTBF > 50,000 hours

ED1032 X - vv PP

- X:** Output range
- vv:** Specified output voltage, i.e. 12 is 12VDC
- PP:** DC plug type, i.e. Code 01 for 5.5x2.1mm or other options (refer to the appendix page)

General Specification

OUTPUT

| MODEL No. | MAX. OUTPUT POWER (W) | INPUT VOLTAGE (Vdc) | OUTPUT VOLTAGE (Vo) | LOAD | | LOAD REGULATION | LINE REGULATION | RIPPLE & NOISE |
|-----------|-----------------------|---------------------|---------------------|-----------|-----------|-----------------|-----------------|----------------|
| | | | | MIN. (Io) | MAX. (Io) | | | |
| ED1032A | 20W | 11~36V | 5V | 0A | 4A | ± 5% | ± 1% | 150mV |
| ED1032B | 36W | 11~36V | 12V | 0A | 3A | ± 5% | ± 1% | 180mV |
| ED1032C | 40W | 11~36V | 15V | 0A | 2.66A | ± 5% | ± 1% | 180mV |
| ED1032D | 50W | 11~36V | 19V | 0A | 2.63A | ± 5% | ± 1% | 300mV |
| ED1032E | 50W | 11~36V | 24V | 0A | 2.08A | ± 5% | ± 1% | 300mV |

NOTE:

- 1 : Ripple & Noise is measured by using 20MHz bandwidth limited oscilloscope and terminated each output with a 0.1uF ceramic capacitor & parallel with 47uF aluminum capacitor at full load and nominal line.
- 2 : Line regulation is defined by changing ±10% of input voltage from nominal line at rated load.
- 3 : Max. Power (W) ≥ Vo x Io

INPUT

- Input Range: 11 to 36 VDC
- Input Current: 6A Max.
- Turn On Time: ≤ 3s

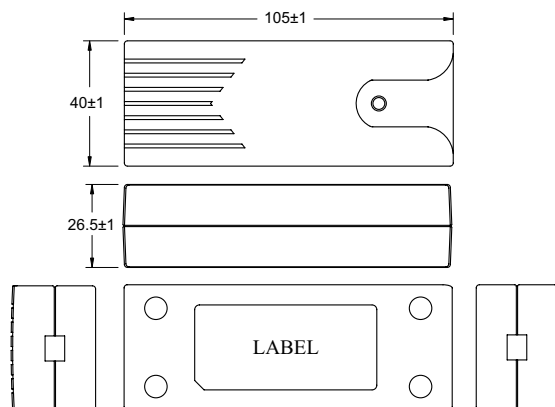
OUTPUT

- Short Circuit Protection: Latch-off
- Over Voltage Protection: Latch-off
- Over Current Protection: Latch-off
- Over Temperature Protection: Auto Recovery

ENVIRONMENT

- Operating Temperature: -20 to 40°C
- Storage Temperature: -20 to 85°C
- Operating Humidity: 10% to 90%
- Storage Humidity: 5% to 95%

MECHANICAL



- Case Size: 105L x 40W x 26.5H (mm)
- DC Input: 600mm cable + cigarette plug
- Weight: 220g

SAFETY

- Complied with CE

DC/DC Switching Converter



Features

- Input Voltage Protection
- LED Indicator
- Protections:
 - Short circuit / Over voltage / Over current
 - Over temperature
- Efficiency 83% Min. Nominal Input
- MTBF > 50,000 hours

ED1046 X - vv PP

- X:** Output range
- vv:** Specified output voltage, i.e. 12 is 12VDC
- PP:** DC plug type, i.e. Code 01 for 5.5x2.1mm or other options (refer to the appendix page)

General Specification

OUTPUT

| MODEL No. | MAX. OUTPUT POWER (W) | INPUT VOLTAGE (Vdc) | OUTPUT VOLTAGE (Vo) | LOAD | | LOAD REGULATION | LINE REGULATION | RIPPLE & NOISE |
|-----------|-----------------------|---------------------|---------------------|-----------|-----------|-----------------|-----------------|----------------|
| | | | | MIN. (Io) | MAX. (Io) | | | |
| ED1046A | 45W | 11~32V | 20V | 0A | 2.25A | ± 5% | ± 1% | 360mV |
| ED1046B | 45W | 11~32V | 15V | 0A | 3A | ± 5% | ± 1% | 300mV |
| ED1046C | 36W | 11~32V | 12V | 0A | 3A | ± 5% | ± 1% | 240mV |

NOTE:

- 1 : Ripple & Noise is measured by using 20MHz bandwidth limited oscilloscope and terminated each output with a 0.1uF ceramic capacitor & parallel with 47uF aluminum capacitor at full load and nominal line.
- 2 : Line regulation is defined by changing ±10% of input voltage from nominal line at rated load.
- 3 : Max. Power (W) ≥ Vo x Io

INPUT

- Input Range 11 to 32 VDC
- Input Current 7A Max.
- Turn On Time ≤ 3s

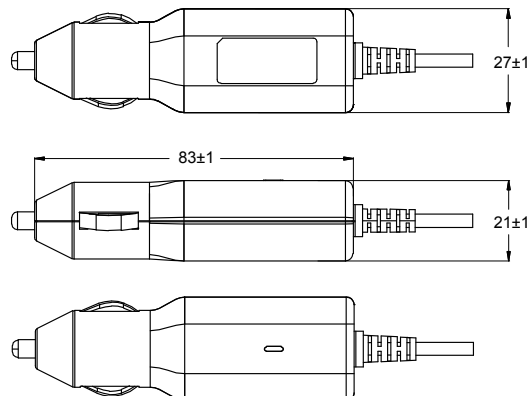
OUTPUT

- Short Circuit Protection Auto Recovery
- Over Voltage Protection Auto Recovery
- Over Current Protection Auto Recovery
- Over Temperature Protection Auto Recovery

ENVIRONMENT

- Operating Temperature -20 to 40°C
- Storage Temperature -20 to 85°C
- Operating Humidity 10% to 90%
- Storage Humidity 5% to 95%

MECHANICAL



- Case Size: 83L x 27W x 21H (mm)
- Weight: 40g

SAFETY

- Complied with FCC, CE(EMC+LVD EN62368-1)

DC/DC Switching Converter



Features

- Input Voltage Protection
- LED Indicator
- Protections:
 - Short circuit / Over voltage / Over current
 - Over temperature
- Efficiency 80% Min. Nominal Input
- MTBF > 50,000 hours

ED1058 X - vv PP

- X:** Output range
- vv:** Specified output voltage, i.e. 12 is 12VDC
- PP:** DC plug type, i.e. Code 01 for 5.5x2.1mm or other options (refer to the appendix page)

General Specification

OUTPUT

| MODEL No. | MAX. OUTPUT POWER (W) | INPUT VOLTAGE (Vdc) | OUTPUT VOLTAGE (Vo) | LOAD | | LOAD REGULATION | LINE REGULATION | RIPPLE & NOISE |
|-----------|-----------------------|---------------------|---------------------|-----------|-----------|-----------------|-----------------|----------------|
| | | | | MIN. (Io) | MAX. (Io) | | | |
| ED1058 | 41W | 11~36V | 10.25V | 0A | 4A | ± 5% | ± 1% | 200mV |
| ED1058A | 72W | 11~36V | 5~12V | 0A | 6A | ± 5% | ± 1% | 240mV |

NOTE:

- 1 : Ripple & Noise is measured by using 20MHz bandwidth limited oscilloscope and terminated each output with a 0.1uF ceramic capacitor & parallel with 47uF aluminum capacitor at full load and nominal line.
- 2 : Line regulation is defined by changing ±10% of input voltage from nominal line at rated load.
- 3 : Max. Power (W) ≥ Vo x Io

INPUT

- Input Range: 11 to 36 VDC
- Input Current: 7A Max.
- Turn On Time: ≤ 3s

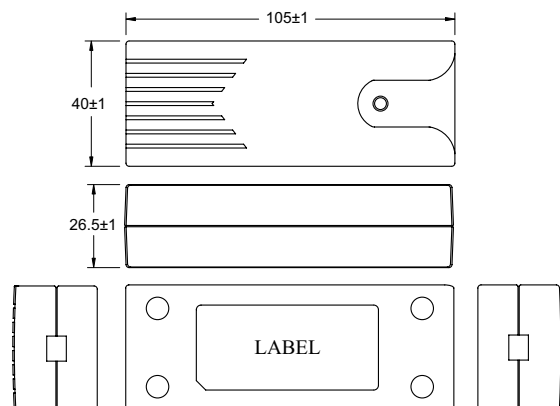
OUTPUT

- Short Circuit Protection: Auto Recovery
- Over Voltage Protection: Latch-off
- Over Current Protection: Auto Recovery
- Over Temperature Protection: Auto Recovery

ENVIRONMENT

- Operating Temperature: -20 to 40°C
- Storage Temperature: -20 to 85°C
- Operating Humidity: 10% to 90%
- Storage Humidity: 5% to 95%

MECHANICAL



- Case Size: 105L x 40W x 26.5H (mm)
- DC Input: 600mm cable + cigarette plug
- Weight: 220g

SAFETY

- Complied with FCC, CE(EMC+LVD EN62368-1)

DC/DC Switching Converter



Features

- Input Voltage Protection
- LED Indicator
- Protections:
Short circuit / Over voltage / Over current
Over temperature
- Efficiency 87% Min. Nominal Input
- MTBF > 50,000 hours

ED1062 - vv PP

vv: Specified output voltage, i.e. 12 is 12VDC

PP: DC plug type, i.e. Code 01 for 5.5x2.1mm or other options (refer to the appendix page)

General Specification

OUTPUT

| MODEL No. | MAX. OUTPUT POWER (W) | INPUT VOLTAGE (Vdc) | OUTPUT VOLTAGE (Vo) | LOAD | | LOAD REGULATION | LINE REGULATION | RIPPLE & NOISE |
|-----------|-----------------------|---------------------|---------------------|-----------|-----------|-----------------|-----------------|----------------|
| | | | | MIN. (Io) | MAX. (Io) | | | |
| ED1062 | 90W | 11~36V | 12~24V | 0A | 6A | ± 5% | ± 1% | 300mV |

NOTE:

- 1 : Ripple & Noise is measured by using 20MHz bandwidth limited oscilloscope and terminated each output with a 0.1uF ceramic capacitor & parallel with 47uF aluminum capacitor at full load and nominal line.
- 2 : Line regulation is defined by changing ±10% of input voltage from nominal line at rated load.
- 3 : Max. Power (W) ≥ Vo x Io

INPUT

- Input Range 11 to 36 VDC
- Input Current 10A Max.
- Turn On Time ≤ 3s

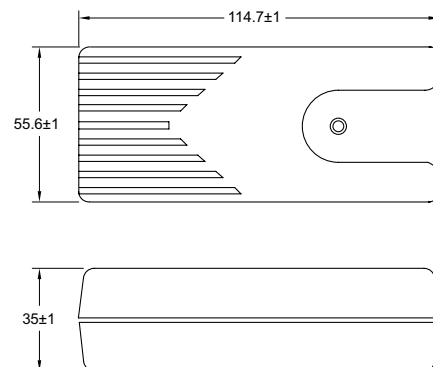
OUTPUT

- Short Circuit Protection Latch-off
- Over Voltage Protection Latch-off
- Over Current Protection Latch-off
- Over Temperature Protection Auto Recovery

ENVIRONMENT

- Operating Temperature -20 to 40°C
- Storage Temperature -20 to 85°C
- Operating Humidity 10% to 90%
- Storage Humidity 5% to 95%

MECHANICAL



- Case Size: 114.7L x 55.6W x 35H (mm)
- DC Input: 600mm cable + cigarette plug
- Weight: 300g

SAFETY

- Complied with UL 62368-1, CAN/CSA C22.2 No. 62368-1, CB IEC 62368-1, EN 62368-1, FCC Part 15B, CE EMC(EN 55032+EN 55035)

DC/DC Switching Converter



Features

- Input Voltage Protection
- LED Indicator
- Protections:
 - Short circuit / Over voltage / Over current
 - Over temperature
- Efficiency 85% Min. Nominal Input
- MTBF > 50,000 hours

ED1075 - vv PP

vv: Specified output voltage, i.e. 24 is 24VDC

PP: DC plug type, i.e. Code 01 for 5.5x2.1mm or other options (refer to the appendix page)

General Specification

OUTPUT

| MODEL No. | MAX. OUTPUT POWER (W) | INPUT VOLTAGE (Vdc) | OUTPUT VOLTAGE (Vo) | LOAD | | LOAD REGULATION | LINE REGULATION | RIPPLE & NOISE |
|-----------|-----------------------|---------------------|---------------------|-----------|-----------|-----------------|-----------------|----------------|
| | | | | MIN. (Io) | MAX. (Io) | | | |
| ED1075 | 75W | 11~16V | 15~24V | 0A | 4A | ± 5% | ± 1% | 200mV |

NOTE:

- 1 : Ripple & Noise is measured by using 20MHz bandwidth limited oscilloscope and terminated each output with a 0.1uF ceramic capacitor & parallel with 47uF aluminum capacitor at full load and nominal line.
- 2 : Line regulation is defined by changing ±10% of input voltage from nominal line at rated load.
- 3 : Max. Power (W) ≥ Vo x Io

INPUT

- Input Range: 11 to 16 VDC
- Input Current: 7A Max.
- Turn On Time: ≤ 3s

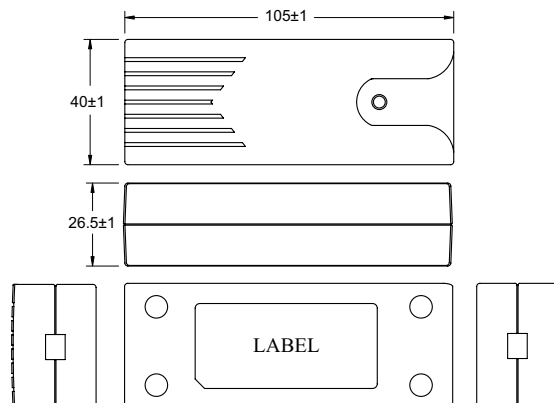
OUTPUT

- Short Circuit Protection: Latch-off
- Over Voltage Protection: Auto Recovery
- Over Current Protection: Latch-off
- Over Temperature Protection: Auto Recovery

ENVIRONMENT

- Operating Temperature: -20 to 40°C
- Storage Temperature: -20 to 85°C
- Operating Humidity: 10% to 90%
- Storage Humidity: 5% to 95%

MECHANICAL



- Case Size: 105L x 40W x 26.5H (mm)
- DC Input : 600mm cable + cigarette plug
- Weight: 220g

SAFETY

- Complied with FCC, CE

DC/DC Switching Converter



Features

- Input Voltage Protection
- LED Indicator
- Protections:
 - Short circuit / Over voltage / Over current
 - Over temperature
- Efficiency 86% Min. Nominal Input
- MTBF > 50,000 hours

ED1096 X - vv PP

- X:** Output range
- vv:** Specified output voltage, i.e. 24 is 24VDC
- PP:** DC plug type, i.e. Code 01 for 5.5x2.1mm or other options (refer to the appendix page)

General Specification

OUTPUT

| MODEL No. | MAX. OUTPUT POWER (W) | INPUT VOLTAGE (V _{dc}) | OUTPUT VOLTAGE (V _o) | LOAD | | LOAD REGULATION | RIPPLE & NOISE |
|-----------|-----------------------|----------------------------------|----------------------------------|------------------------|------------------------|-----------------|----------------|
| | | | | MIN. (I _o) | MAX. (I _o) | | |
| ED1096A | 90W | 11~16V | 16V | 0A | 5.62A | ± 5% | 250mV |
| ED1096B | 90W | 11~16V | 19V | 0A | 4.73A | ± 5% | 250mV |
| ED1096C | 90W | 11~16V | 20V | 0A | 4.5A | ± 5% | 250mV |
| ED1096D | 90W | 11~16V | 24V | 0A | 3.75A | ± 5% | 250mV |

NOTE:

- 1 : Ripple & Noise is measured by using 20MHz bandwidth limited oscilloscope and terminated each output with a 0.1uF ceramic capacitor & parallel with 47uF aluminum capacitor at full load and nominal line.
- 2 : Line regulation is defined by changing ±10% of input voltage from nominal line at rated load.
- 3 : Max. Power (W) ≥ V_o x I_o

INPUT

- Input Range: 11 to 16 VDC
- Input Current: 10A Max.
- Turn On Time: ≤ 3s

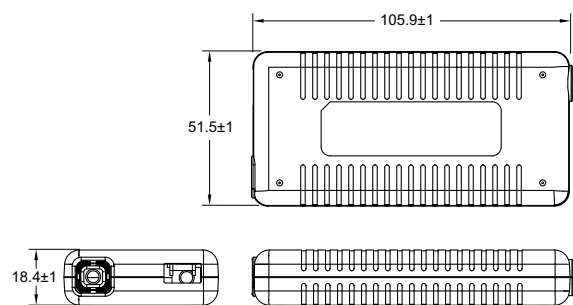
OUTPUT

- Short Circuit Protection: Latch-off
- Over Voltage Protection: Latch-off
- Over Current Protection: Latch-off
- Over Temperature Protection: Auto Recovery

ENVIRONMENT

- Operating Temperature: -20 to 40°C
- Storage Temperature: -20 to 85°C
- Operating Humidity: 10% to 90%
- Storage Humidity: 5% to 95%

MECHANICAL



- Case Size: 105.9L x 51.5W x 18.4H (mm)
- DC Input: 600mm cable + cigarette plug
- Weight: 220g

SAFETY

- Complied with FCC, CE(EMC+LVD EN62368-1)

DC/DC Switching Converter



Features

- Dual Output
- Input Voltage Protection
- LED Indicator
- Protections:
 - Short circuit / Over voltage / Over current
 - Over temperature
- Efficiency 87% Min. Nominal Input
- MTBF > 50,000 hours

ED1097 X - vv PP

- X:** Output range
- vv:** Specified output voltage, i.e. 20 is 20VDC
- PP:** DC plug type, i.e. Code 01 for 5.5x2.1mm or other options (refer to the appendix page)

General Specification

OUTPUT

| MODEL No. | MAX. OUTPUT POWER (W) | INPUT VOLTAGE (Vdc) | OUTPUT VOLTAGE (Vo) | LOAD | | LOAD REGULATION | LINE REGULATION | RIPPLE & NOISE |
|-----------|-----------------------|---------------------|---------------------|-----------|-----------|-----------------|-----------------|----------------|
| | | | | MIN. (Io) | MAX. (Io) | | | |
| ED1097 | 90W | 11~16V | 19~20V | 0A | 4.61A | ± 5% | ± 1% | 290mV |
| | | | 5.1V | 0A | 2.1A | ± 5% | ± 1% | 150mV |
| ED1097A | 90W | 11~16V | 19.5V | 0A | 4.61A | ± 5% | ± 1% | 290mV |
| | | | 5.1V | 0A | 2.1A | ± 5% | ± 1% | 150mV |

NOTE:

- 1 : Ripple & Noise is measured by using 20MHz bandwidth limited oscilloscope and terminated each output with a 0.1uF ceramic capacitor & parallel with 47uF aluminum capacitor at full load and nominal line.
- 2 : Line regulation is defined by changing ±10% of input voltage from nominal line at rated load.
- 3 : Max. Power (W) ≥ Vo x Io

INPUT

- Input Range: 11 to 16 VDC
- Input Current: 10A Max.
- Turn On Time: ≤ 3s

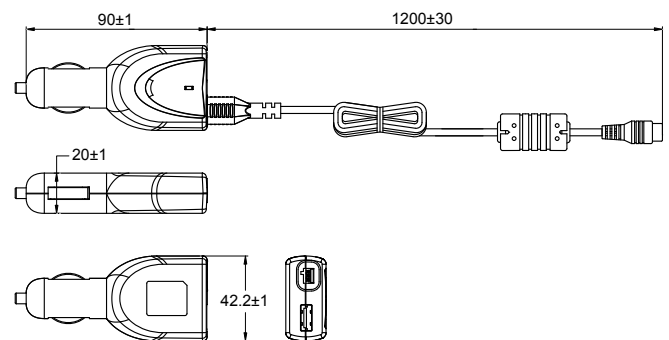
OUTPUT

- Short Circuit Protection: Auto Recovery
- Over Voltage Protection: Auto Recovery
- Over Current Protection: Auto Recovery
- Over Temperature Protection: Auto Recovery

ENVIRONMENT

- Operating Temperature: -20 to 40°C
- Storage Temperature: -20 to 85°C
- Operating Humidity: 10% to 90%
- Storage Humidity: 5% to 95%

MECHANICAL



- Case Size: 90L x 42.2W x 20H (mm)
- Weight: 55g

SAFETY

- Complied with FCC, CE(EMC+LVD EN62368-1)

DC/DC Switching Converter



Features

- Input Voltage Protection
- LED Indicator
- Protections:
 - Short circuit / Over voltage / Over current
 - Over temperature
- Efficiency 87% Min. Nominal Input
- MTBF > 50,000 hours

ED1010 X - vv PP

- X:** Output range
- vv:** Specified output voltage, i.e. 24 is 24VDC
- PP:** DC plug type, i.e. Code 01 for 5.5x2.1mm or other options (refer to the appendix page)

General Specification

OUTPUT

| MODEL No. | MAX. OUTPUT POWER (W) | INPUT VOLTAGE (Vdc) | OUTPUT VOLTAGE (Vo) | LOAD | | LOAD REGULATION | LINE REGULATION | RIPPLE & NOISE |
|-----------|-----------------------|---------------------|---------------------|-----------|-----------|-----------------|-----------------|----------------|
| | | | | MIN. (Io) | MAX. (Io) | | | |
| ED1010A | 120W | 11~16V | 16V | 0A | 7A | ± 5% | ± 2% | 300mV |
| ED1010B | 120W | 11~16V | 18V | 0A | 6.7A | ± 5% | ± 2% | 300mV |
| ED1010C | 120W | 11~16V | 19V | 0A | 6.3A | ± 5% | ± 2% | 300mV |
| ED1010D | 120W | 11~16V | 20V | 0A | 6A | ± 5% | ± 2% | 300mV |
| ED1010E | 120W | 11~16V | 24V | 0A | 5A | ± 5% | ± 2% | 300mV |

NOTE:

- 1 : Ripple & Noise is measured by using 20MHz bandwidth limited oscilloscope and terminated each output with a 0.1uF ceramic capacitor & parallel with 47uF aluminum capacitor at full load and nominal line.
- 2 : Line regulation is defined by changing ±10% of input voltage from nominal line at rated load.
- 3 : Max. Power (W) ≥ Vo x Io

INPUT

- Input Range: 11 to 16 VDC
- Input Current: 12A Max.
- Turn On Time: ≤ 3s

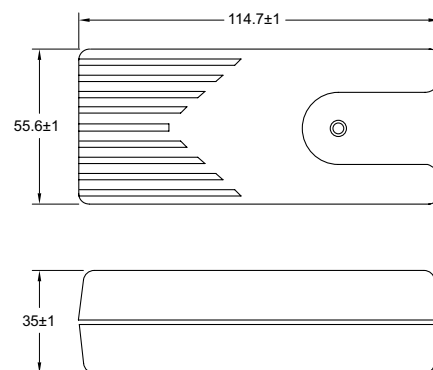
OUTPUT

- Short Circuit Protection: Latch-off
- Over Voltage Protection: Latch-off
- Over Current Protection: Latch-off
- Over Temperature Protection: Auto Recovery

ENVIRONMENT

- Operating Temperature: -20 to 40°C
- Storage Temperature: -20 to 85°C
- Operating Humidity: 10% to 90%
- Storage Humidity: 5% to 95%

MECHANICAL

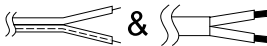
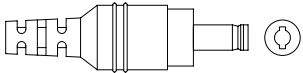
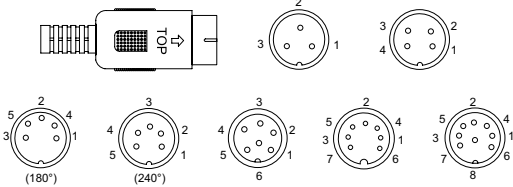


- Case Size: 114.7L x 55.6W x 35H (mm)
- DC Input: 600mm cable + cigarette plug
- Weight: 300g

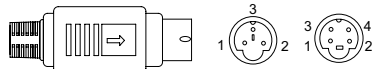
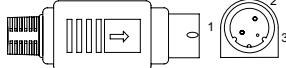



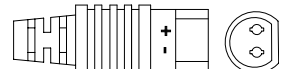


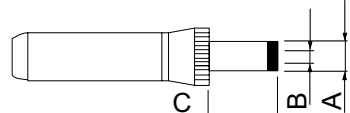
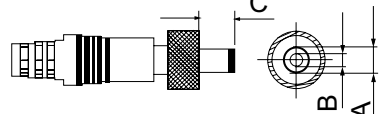
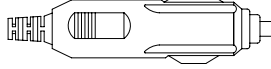

SAFETY

- Complied with UL 62368-1, TUV EN 62368-1, CB IEC 62368-1, FCC Part 15B, CE EMC
- Certified for assigned models: KC

Appendix: Plug List of Output Cable

| CODE | PLUG TYPE | SPECIFICATION | OUTLINE / DRAWING |
|------|---------------|-------------------------|--|
| 00 | Strip & Tined | NC |  |
| 01 | Barrel Type | 5.5x2.1 |  |
| 02 | | 5.5x2.5 | |
| 03 | | 4.75x1.7 | |
| 04 | | 4.0x1.7 | |
| 05 | | 3.5x1.35 | |
| 06 | | 2.35x0.7 | |
| 07 | | 6.3x3.0 | |
| 08 | | 6.5x1.4 | |
| 11 | | Barrel Type Right Angle | |
| 12 | 5.5x2.5 | | |
| 13 | 4.75x1.7 | | |
| 14 | 4.0x1.7 | | |
| 15 | 3.5x1.35 | | |
| 16 | 2.35x0.7 | | |
| 17 | 6.3x3.0 | | |
| 18 | 6.5x1.4 | | |
| 21 | Din (male) | 3Pin |  |
| 22 | | 4Pin | |
| 23 | | 5Pin(180) | |
| 24 | | 5Pin(240) | |
| 25 | | 6Pin | |
| 26 | | 7Pin | |
| 27 | | 8Pin | |

Appendix: Plug List of Output Cable

| CODE | PLUG TYPE | SPECIFICATION | OUTLINE / DRAWING |
|------|------------------------------|-----------------------------------|---|
| 31 | Mini-Din (male) | 3Pin |  |
| 32 | | 4Pin | |
| 33 | | 5Pin | |
| 34 | | 6Pin | |
| 35 | | 7Pin | |
| 36 | | 8Pin | |
| 41 | Power-Mini Din (male) | 3Pin (Molding) |  |
| 42 | | 4Pin (Molding) |  |
| 45 | | 3Pin (Assembly/Lock Type) |  |
| 46 | | 4Pin (Assembly/Lock Type) |  |
| 61 | Interchangeable Connector | 2Pin |  |
| 62 | | 2Pin |  |
| 63 | | 3Pin |  |
| 71 | Switchcraft Locking Type | A:5.5, B:2.5 C:0.375"(9.52mm) |  |
| 72 | | A:5.5, B:2.5 C:0.475"(12.06mm) | |
| 73 | | A:5.5, B:2.1 C:0.375"(9.52mm) | |
| 74 | | A:5.5, B:2.1 C:0.475"(12.06mm) | |
| 81 | DC Jack with Screw | A:5.5, B:2.1, C:7.5 |  |
| 82 | | A:5.5, B:2.1, C:10.1 | |
| 91 | Cigarette Lighter | |  |
| 92 | USB Type C | |  |

Milestones

1998

- EDACPOWER ELECTRONICS CO., LTD. (Taiwan Head Quarter) established
- Manufacturing of ITE switching power supply and DC/DC converter started (OEM)

2007

- Management Information System (MIS) implemented

2009

- ISO9001 & ISO14001 certification (TUV) acquired for SuZhou factory
- Enterprise Resource Planning System (ERP) implemented

2002

- First manufacturing plant established in SuZhou, China

2005

- SuZhou factory is qualified as Rank A class Enterprise by China customs

2009

- Medical power supply EM series & Battery Charger launched

2013

- First Industrial & Medical open frame series launched

▶ **2020**

- Second manufacturing plant established in Taipei, Taiwan
- ISO9001 & ISO14001 certification (TUV) acquired for Taiwan factory
- EMC testing equipments invested in Taiwan Head Quarter
- ITE Switching power supplies upgraded to IEC/EN/UL62368 regulation

▶ **2018**

- R&D development in Down-sized power solutions

▶ **2019**

- Sedex (Supplier Ethical Data Exchange) Qualification acquired

▶ **2021**

- Extend product line to LED power supply
- Enter Lithium-ion battery charger industry

▶ **2022**

- Open frame power supply 150W/200W/500W launched

▶ **2023**

- R&D development in Enclosed power supply up to 2500Watts

SAFETY APPROVALS

EDAC's products can meet various safety approvals as quality assurance.

ITE/ICT 62368



CB

FC

CE

Medical 60601



CB

FC

CE

Energy Saving



NRCan (Canada)



DOE Level VI (USA)

CoC Tier 2

(Europe)

Others



CCC (China)



BSMI (Taiwan)



PSE (Japan)



RCM (Australia)



KCC (Korea)



UKCA (United Kingdom)



BIS (India)



EAC (Russia)



PSB (Singapore)



S-Mark (Argentina)



NOM (Mexico)

ISO



Taipei/SuZhou ISO 9001
(Certified in 2021)



Taipei/SuZhou ISO 14001
(Certified in 2021)

EDAC Corporate Culture

Enthusiasm

Dedication

Advancement

Consistency



EDACPOWER

翌勝電子股份有限公司

EDACPOWER ELECTRONICS CO., LTD.

11F-2, NO. 150 Jian Yi Rd., Zhong Ho District,
New Taipei City, Taiwan, R.O.C.

☎ +886-2-8226-3289 ☎ +886-2-8226-3327

✉ sales@edac.com.tw

TAIWAN FACTORY

EDACPOWER ELECTRONICS CO., LTD.

18F-2, NO. 150 Jian Yi Rd., Zhong Ho District,
New Taipei City, Taiwan, R.O.C.

☎ +886-2-8226-3289 ☎ +886-2-8226-3327

✉ sales@edac.com.tw

CHINA FACTORY

EDACPOWER ELECTRONICS (SU ZHOU) CO., LTD.

No. 59, Chang Sheng Road, Sheng Pu,
Suzhou Industrial Park, Jiangsu, China

☎ +86-0512-6282-1628 ☎ +86-0512-6282-9608



www.edac.com.tw