

GaN Medical AC/DC Desk Top Type



Features

- 2 x MOPP Compliance
- IEC/EN60601-1, IEC/EN62368-1 Compliance
- Compact Size
- Gallium Nitride Based Design
- LED Indicator
- Active PFC Function
- Protections :
Short circuit / Over voltage / Over current
Over temperature
- Energy Efficiency up to 95%
- No Load Power Consumption $\leq 0.21W$ (VI), $\leq 0.15W$ (Tier II)
- MTBF > 100,000 hours

EM1122 X Y - vv PP

X: AC inlet: 1. C14 2. C8 3. C6 6. C18

Y: Output range

vv: Specified output voltage, i.e. 12 is 12VDC

PP: DC plug type, i.e. Code 01 for 5.5x2.1mm or other options (refer to the appendix page)

General Specification

OUTPUT

MODEL No.	MAX. OUTPUT POWER (W)	OUTPUT VOLTAGE (Vo)	MIN. LOAD(Io)	MAX. LOAD(Io)	LOAD REGULATION	LINE REGULATION	RIPPLE & NOISE
EM1122XA	100W	12~15V	0A	8.33A	$\pm 5\%$	$\pm 1\%$	240mV
EM1122XB	100W	19~24V	0A	5.26A	$\pm 5\%$	$\pm 1\%$	380mV
EM1122XC	100W	28~36V	0A	3.57A	$\pm 5\%$	$\pm 1\%$	640mV
EM1122XD	100W	48~56V	0A	2.08A	$\pm 5\%$	$\pm 1\%$	880mV
EM1122XE	120W	12~15V	0A	10A	$\pm 5\%$	$\pm 1\%$	240mV
EM1122XF	120W	19~24V	0A	6.31A	$\pm 5\%$	$\pm 1\%$	380mV
EM1122XG	120W	28~36V	0A	4.28A	$\pm 5\%$	$\pm 1\%$	640mV
EM1122XH	120W	48~56V	0A	2.5A	$\pm 5\%$	$\pm 1\%$	880mV

NOTE:

1 : Ripple & Noise is measured by using 20MHz bandwidth limited oscilloscope and terminated each output with a 0.1uF ceramic capacitor & parallel with 47uF aluminum capacitor at full load and nominal line.

2 : Line regulation is defined by changing $\pm 10\%$ of input voltage from nominal line at rated load.

3 : Max. Power (W) $\geq V_o \times I_o$

INPUT

- Input Range 100 to 240 VAC
- Frequency 50 to 60Hz
- Input Current $\leq 2A$
- Inrush Current $\leq 120A/230VAC$
- Hold Up time $\geq 8.3ms$
- Turn On Time $\leq 3s$

PROTECTION

- Short Circuit Protection Auto Recovery
- Over Voltage Protection Latch-off or Auto Recovery
- Over Current Protection Auto Recovery
- Over Temperature Protection Auto Recovery

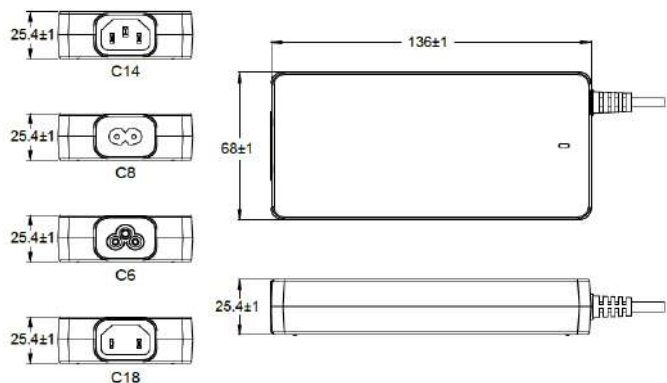
ENVIRONMENTAL

- Operating Temperature -20 to 40°C
- Storage Temperature -20 to 85°C
- Operating Humidity 10% to 90 %
- Storage Humidity 5% to 95%

SAFETY

- Complied with CB IEC 60601-1, CE EMC(EN 60601-1-2), CB IEC 62368-1, CE EMC(EN 55032+EN 55035), FCC Part 15B
ANSI/AAMI ES60601-1, CAN/CSA-C22.2 No. 60601-1, TUV EN 60601-1, UL 62368-1, CAN/CSA C22.2 No. 62368-1, TUV EN 62368-1

MECHANICAL



- Case Size: 136L x 68W x 25.4H (mm)
- AC Inlet: C14, C8, C6, C18
- Weight: 420g