

## Medical / ITE Open Frame



### Features

- 2.5" x 1.5" Compact Size
- 2 x MOPP, IEC/EN60601-1 Compliance
- Protections :  
Short circuit / Over voltage / Over current  
Over temperature
- Energy Efficiency  $\geq 88\%$ ~90% depends on models
- No Load Power Consumption  $\leq 0.1W$
- MTBF > 100,000 hours
- Low Leakage Current
- Customized Solutions Available

### EPM104A U - XX YY

- U:** Output range
- XX:** Specified output voltage, i.e. 12 is 12VDC
- YY:** Differential segmentation

### General Specification

#### OUTPUT

MODEL No.	MAX. OUTPUT POWER (W)	OUTPUT VOLTAGE (Vo)	MIN. LOAD (Io)	MAX. LOAD (Io)	LOAD REGULATION	LINE REGULATION	RIPPLE & NOISE
EPM104AA	30W	12~15V	0A	2.5A	$\pm 2\%$	$\pm 1\%$	240mV
EPM104AB	30W	19~24V	0A	1.57A	$\pm 2\%$	$\pm 1\%$	360mV
EPM104AC	30W	28~36V	0A	1.07A	$\pm 2\%$	$\pm 1\%$	540mV
EPM104AD	30W	48~56V	0A	0.62A	$\pm 2\%$	$\pm 1\%$	840mV
EPM104AE	40W	12~15V	0A	3.33A	$\pm 2\%$	$\pm 1\%$	240mV
EPM104AF	40W	19~24V	0A	2.10A	$\pm 2\%$	$\pm 1\%$	360mV
EPM104AG	40W	28~36V	0A	1.42A	$\pm 2\%$	$\pm 1\%$	540mV
EPM104AH	40W	48~56V	0A	0.83A	$\pm 2\%$	$\pm 1\%$	840mV
EPM104AJ	48W	12~15V	0A	4.0A	$\pm 2\%$	$\pm 1\%$	240mV
EPM104AK	48W	19~24V	0A	2.52A	$\pm 2\%$	$\pm 1\%$	360mV
EPM104AL	48W	28~36V	0A	1.71A	$\pm 2\%$	$\pm 1\%$	540mmV
EPM104AM	48W	48~56V	0A	1.0A	$\pm 2\%$	$\pm 1\%$	840mV

#### NOTE:

- 1 : Ripple & Noise is measured by using 20MHz bandwidth limited oscilloscope and terminated each output with a 0.1uF ceramic capacitor & parallel with 47uF aluminum capacitor at full load and nominal line.
- 2 : Line regulation is defined by changing  $\pm 10\%$  of input voltage from nominal line at rated load.
- 3 : Max. Power (W)  $\geq V_o \times I_o$

#### INPUT

- Input Range 100 to 240 VAC
- Frequency 50 to 60Hz
- Input Current  $\leq 1.5A$
- Inrush Current  $\leq 120A/230VAC$
- Hold Up Time  $\geq 8.3ms$
- Turn On Time  $\leq 3000ms$

#### PROTECTION

- Short Circuit Protection Auto Recovery
- Over Current Protection Auto Recovery
- Over Voltage Protection Auto Recovery
- Over Temperature Protection Auto Recovery

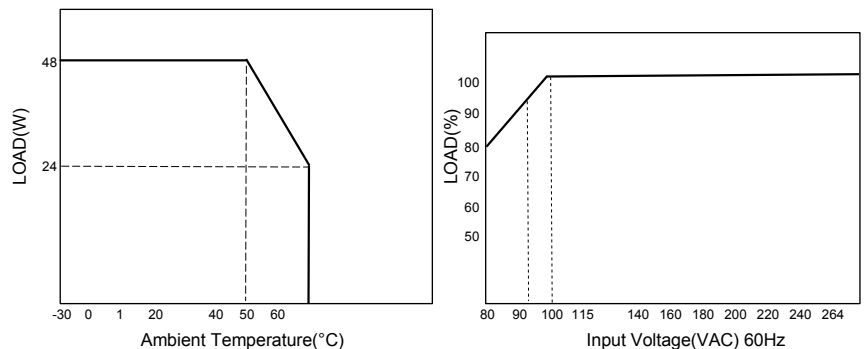
#### ENVIRONMENT

- Operating Temperature -20 to 50°C
- Storage Temperature -20 to 85°C
- Operating Humidity 10% to 90 %
- Storage Humidity 5% to 95 %

#### SAFETY

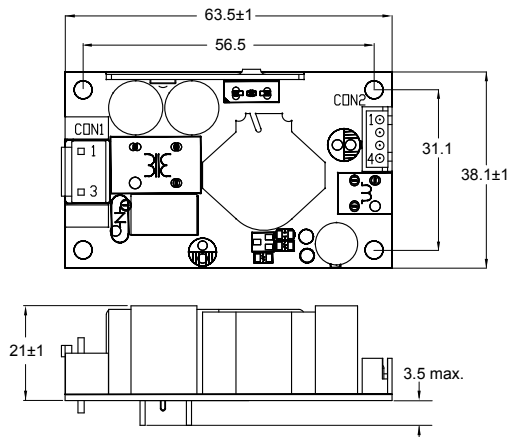
- Complied with ANSI/AAMI ES60601-1, CAN/CSA-C22.2 No. 60601-1, TUV EN 60601-1, CB IEC 60601-1, CE EMC(EN 60601-1-2) UL 62368-1, CAN/CSA C22.2 No. 62368-1, TUV EN 62368-1, CB IEC 62368-1, FCC Part 15B, CE EMC(EN 55032+EN 55035), UKGA

#### DERATING CURVE



## Medical / ITE Open Frame

### MECHANICAL



- Mechanical Size: 63.5Lx 38.1W x 21H (mm)

- Pin Assignment:

AC Input Connector (CON1) : JST B3P-VH or

Pin No	Assignment	Mating Housing	Terminal
1	AC / L	JST VHR or equivalent	JST SVH-21T-P1.1 or equivalent
2	No Pin		
3	AC / N		

DC Output Connector (CON2) : JST B4P-VH or

Pin No	Assignment	Mating Housing	Terminal
1, 2	+V	JST VHR or equivalent	JST SVH-21T-P1.1 or equivalent
3, 4	-V		

- Weight: 53.8g