

DC/DC Switching Converter



Features

- Input Voltage Protection
- LED Indicator
- Protections:
 - Short circuit / Over voltage / Over current
 - Over temperature
- Efficiency 87% Min. Nominal Input
- MTBF > 50,000 hours

ED1010 X - vv PP

- X:** Output range
- vv:** Specified output voltage, i.e. 24 is 24VDC
- PP:** DC plug type, i.e. Code 01 for 5.5x2.1mm or other options (refer to the appendix page)

General Specification

OUTPUT

MODEL No.	MAX. OUTPUT POWER (W)	INPUT VOLTAGE (Vdc)	OUTPUT VOLTAGE (Vo)	LOAD		LOAD REGULATION	LINE REGULATION	RIPPLE & NOISE
				MIN. (Io)	MAX. (Io)			
ED1010A	120W	11~16V	16V	0A	7A	± 5%	± 2%	300mV
ED1010B	120W	11~16V	18V	0A	6.7A	± 5%	± 2%	300mV
ED1010C	120W	11~16V	19V	0A	6.3A	± 5%	± 2%	300mV
ED1010D	120W	11~16V	20V	0A	6A	± 5%	± 2%	300mV
ED1010E	120W	11~16V	24V	0A	5A	± 5%	± 2%	300mV

NOTE:

- 1 : Ripple & Noise is measured by using 20MHz bandwidth limited oscilloscope and terminated each output with a 0.1uF ceramic capacitor & parallel with 47uF aluminum capacitor at full load and nominal line.
- 2 : Line regulation is defined by changing ±10% of input voltage from nominal line at rated load.
- 3 : Max. Power (W) ≥ Vo x Io

INPUT

- Input Range: 11 to 16 VDC
- Input Current: 12A Max.
- Turn On Time: ≤ 3s

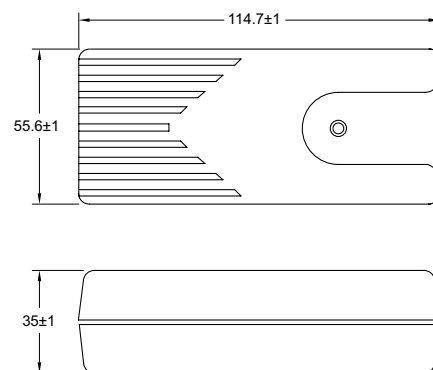
OUTPUT

- Short Circuit Protection: Latch-off
- Over Voltage Protection: Latch-off
- Over Current Protection: Latch-off
- Over Temperature Protection: Auto Recovery

ENVIRONMENT

- Operating Temperature: -20 to 40°C
- Storage Temperature: -20 to 85°C
- Operating Humidity: 10% to 90%
- Storage Humidity: 5% to 95%

MECHANICAL



- Case Size: 114.7L x 55.6W x 35H (mm)
- DC Input: 600mm cable + cigarette plug
- Weight: 300g

SAFETY

- Complied with UL 62368-1, TUV EN 62368-1, CB IEC 62368-1, FCC Part 15B, CE EMC
- Certified for assigned models: KC