

DC/DC Switching Converter



Features

- Dual Output
- Input Voltage Protection
- LED Indicator
- Protections:
 - Short circuit / Over voltage / Over current
 - Over temperature
- Efficiency 87% Min. Nominal Input
- MTBF > 50,000 hours

ED1097 X - vv PP

- X:** Output range
- vv:** Specified output voltage, i.e. 20 is 20VDC
- PP:** DC plug type, i.e. Code 01 for 5.5x2.1mm or other options (refer to the appendix page)

General Specification

OUTPUT

MODEL No.	MAX. OUTPUT POWER (W)	INPUT VOLTAGE (Vdc)	OUTPUT VOLTAGE (Vo)	LOAD		LOAD REGULATION	LINE REGULATION	RIPPLE & NOISE
				MIN. (Io)	MAX. (Io)			
ED1097	90W	11~16V	19~20V	0A	4.61A	± 5%	± 1%	290mV
			5.1V	0A	2.1A	± 5%	± 1%	150mV
ED1097A	90W	11~16V	19.5V	0A	4.61A	± 5%	± 1%	290mV
			5.1V	0A	2.1A	± 5%	± 1%	150mV

NOTE:

- 1 : Ripple & Noise is measured by using 20MHz bandwidth limited oscilloscope and terminated each output with a 0.1uF ceramic capacitor & parallel with 47uF aluminum capacitor at full load and nominal line.
- 2 : Line regulation is defined by changing ±10% of input voltage from nominal line at rated load.
- 3 : Max. Power (W) ≥ Vo x Io

INPUT

- Input Range: 11 to 16 VDC
- Input Current: 10A Max.
- Turn On Time: ≤ 3s

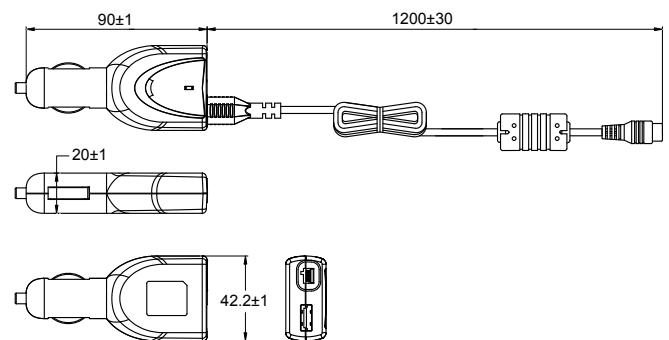
OUTPUT

- Short Circuit Protection: Auto Recovery
- Over Voltage Protection: Auto Recovery
- Over Current Protection: Auto Recovery
- Over Temperature Protection: Auto Recovery

ENVIRONMENT

- Operating Temperature: -20 to 40°C
- Storage Temperature: -20 to 85°C
- Operating Humidity: 10% to 90%
- Storage Humidity: 5% to 95%

MECHANICAL



- Case Size: 90L x 42.2W x 20H (mm)
- Weight: 55g

SAFETY

- Complied with FCC, CE(EMC+LVD EN62368-1)