

EU106A Series

• 65W Max.

GaN PD Charger (USB Type-C)



Features

- USB Power Delivery Function
- Gallium Nitride Based Design
- LED Indicator
- Protections:
 - Short circuit / Over voltage / Over current
 - Over temperature (optional)
- Energy Efficiency Level VI
- No Load Power Consumption $\leq 0.21W$ (VI)
- MTBF > 100,000 hours
- P.D. 3.0 / QC 4.0+ / QC 4.0
- Customized Solutions Available

EU106A X Y - vv PP

- X:** AC inlet: 2. C8 3. C6
Y: Output range
PP: DC plug code 92 for USB Type-C

General Specification

OUTPUT

MODEL No.	MAX. OUTPUT POWER (W)	OUTPUT VOLTAGE (Vo)	MIN. LOAD(Io)	MAX. LOAD(Io)	LOAD REGULATION	LINE REGULATION	RIPPLE & NOISE
EU106A	65W	5V	0A	3A	$\pm 5\%$	$\pm 1\%$	100mV
		9V	0A	3A	$\pm 5\%$	$\pm 1\%$	180mV
		12V	0A	3A	$\pm 5\%$	$\pm 1\%$	240mV
		15V	0A	3A	$\pm 5\%$	$\pm 1\%$	300mV
		20V	0A	3.25A	$\pm 5\%$	$\pm 1\%$	360mV

NOTE:

- 1 : Ripple & Noise is measured by using 20MHz bandwidth limited oscilloscope and terminated each output with a 0.1uF ceramic capacitor & parallel with 47uF aluminum capacitor at full load and nominal line.
- 2 : Line regulation is defined by changing $\pm 10\%$ of input voltage from nominal line at rated load.
- 3 : Max. Power (W) $\geq V_o \times I_o$

INPUT

- Input Range: 100 to 240 VAC
- Frequency: 50 to 60 Hz
- Input Current: $\leq 1.5A$
- Inrush Current: $\leq 120A/230VAC$
- Hold up time: $\geq 8.3ms$
- Turn On Time: $\leq 3s$

OUTPUT

- Short Circuit Protection: Auto Recovery
- Over Voltage Protection: Auto Recovery
- Over Current Protection: Auto Recovery
- Over Temperature Protection: Auto Recovery (optional)

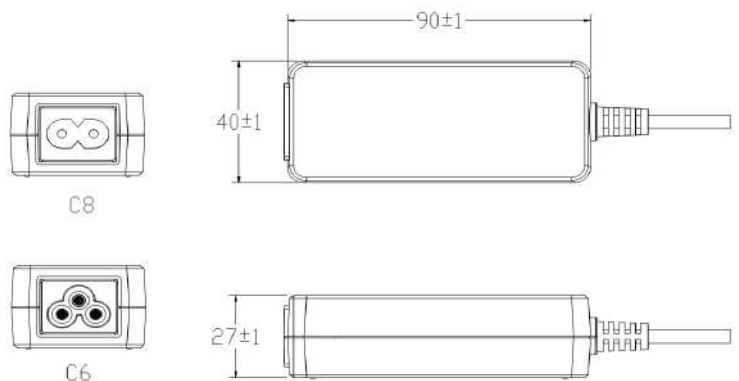
ENVIRONMENT

- Operating Temperature: -20 to 40°C
- Storage Temperature: -20 to 85°C
- Operating Humidity: 10% to 90 %
- Storage Humidity: 5% to 95 %

SAFETY

- Complied with UL 62368-1, CAN/CSA C22.2 No. 62368-1, TUV EN 62368-1, CB IEC 62368-1, FCC Part 15B, CE EMC(EN 55032+EN 55035)

MECHANICAL



- Case Size: 90L x 40W x 27H (mm)
- AC Inlet: C8, C6
- Weight: 200g

Above safety certificates are for reference only. Please contact our sales department for more details.