



Features

- Slim & Compact Size
- CEC Compliance(Optional)
- Economy Model
- RoHS Compliance
- IEC320 C14, C6
- Over Voltage Protective Installation
- Over Current Protective Installation
- Protection Type: Latch off
- MTBF: >30,000 hours

EA1072 x Y - vv PP

- x:** Case type: 1. C14 3. C6
- Y:** Output range
- vv:** Specified output voltage, ie 24 is 24Vdc
- PP:** Connector type, ie 01 for EDACPOWER standard dc cable or please refer to the appendix page

Electrical Specifications

MODEL No.	MAX. OUTPUT POWER (W)	OUTPUT VOLTAGE (Vo)	MIN. LOAD (Io)	MAX. LOAD (Io)	LOAD REGULATION	LINE REGULATION	RIPPLE & NOISE
EA1072xA	72W	12~17V	0	6A	± 5%	± 1%	250mV
EA1072xB	72W	18~24V	0	4A	± 5%	± 1%	250mV
EA1072xC	60W	12~17V	0	5A	± 5%	± 1%	250mV
EA1072xD	60W	18~24V	0	3.33A	± 5%	± 1%	250mV

NOTE:

- 1 : Ripple & noise is measured by using 20MHz bandwidth limited oscilloscope and terminated each output with a 0.1uF ceramic capacitor & parallel with 47uF aluminum capacitor at full load and nominal line.
- 2 : Line regulation is defined by changing ±10% of input voltage from nominal line at rated load.
- 3 : Max. Output Power (W) ≥Vo x Io

Electrical Specifications

INPUT

- Input Range 100 to 240 VAC
- Frequency 50 to 60Hz
- Input Current ≤2A
- Inrush Current ≤90A At cold start
- Efficiency Meet CEC Level IV, V
- Hold Up Time ≥8.3mS
- Turn On Time ≤3S

OUTPUT

- Over Voltage Protection Latch off
- Short Circuit Protection Auto Recovery

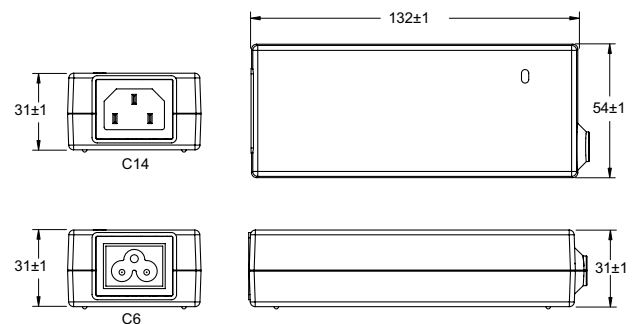
ENVIRONMENTAL

- Operating Temperature 0 to 40°C
- Storage Temperature -20 to 85°C
- Storage Humidity 5% to 95%

SAFETY

- UL/cUL, TUV, CB, CE, FCC, CCC

Mechanical Specification



- Case Size: 132L x 54W x 31H (mm)
- AC Inlet: C14, C6
- Weight: 320g