

EM1036 Series

AC/DC Medical Interchangeable Plug
• 15~36Watts Max.



Features

- CEC Compliance
- RoHS Compliance
- Interchangeable AC Plug
- Over Voltage Protective Installation
- Short Circuit Protective Installation
- Protection Type: Auto-Recovery
- High Operating Temperature 50°C
- MTBF: >30,000 hours

EM1036 x R - vv PP

- x:** Output range
R: Interchangeable AC plug:
 • U: USA • E: EU • K: UK • A: SAA
vv: Specified output voltage, ie 24 is 24Vdc
PP: Connector type, ie 01 for EDACPOWER standard dc cable or please refer to the appendix page

Electrical Specifications

MODEL No.	MAX. POWER (W)	OUTPUT VOLTAGE (Vo)	MIN. LOAD	MAX. LOAD (Io)	LOAD REGULATION	LINE REGULATION	RIPPLE & NOISE
EM1036AR	36W	9~15V	0A	3A	± 5%	± 1%	240mV
EM1036BR	30W	9~15V	0A	2.5A	± 5%	± 1%	240mV
EM1036CR	24W	9~15V	0A	2A	± 5%	± 1%	240mV
EM1036DR	18W	9~15V	0A	1.5A	± 5%	± 1%	240mV
EM1036ER	15W	9~15V	0A	1A	± 5%	± 1%	240mV

NOTE:

- 1 : Ripple & noise is measured by using 20MHz bandwidth limited oscilloscope and terminated each output with a 0.1uF ceramic capacitor & parallel with 47uF aluminum capacitor at full load and nominal line.
- 2 : Line regulation is defined by changing ±10% of input voltage from nominal line at rated load.
- 3 : Max. Output Power (W) ≥Vo x Io

Electrical Specifications

INPUT

- Input Range 100 to 240 VAC
- Frequency 50 to 60Hz
- Input Current ≤1.0A
- Inrush Current ≤90A At cold start
- Efficiency Meet CEC Level IV, V
- Hold Up Time ≥8.3mS
- Turn On Time ≤3S

OUTPUT

- Over Voltage Protection Auto Recovery
- Short Circuit Protection Auto Recovery

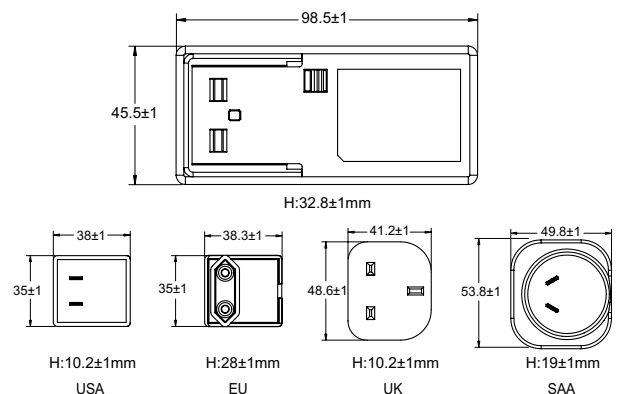
ENVIRONMENTAL

- Operating Temperature 0 to 50°C
- Storage Temperature -20 to 85°C
- Storage Humidity 5% to 95%

SAFETY

- UL UL60601, CE, FCC

Mechanical Specification



- Case Size: 98.5L x 4 5.5W x 32.8H (mm)
- AC Plug: U: USA, E: EU, K: UK, A: SAA
- Weight: 220g