



Features

- CEC Compliance
- RoHS Compliance
- IEC320 C14, C8, C6
- Over Voltage Protective Installation
- Short Circuit Protective Installation
- Protection Type: Auto-Recovery
- MTBF: >30,000 hours

EM1120 x Y - vv PP

- X:** Case type: 1. C14 2. C8 3. C6
Y: Output range
vv: Specified output voltage, ie 24 is 24Vdc
PP: Connector type, ie 01 for EDACPOWER standard dc cable or please refer to the appendix page

Electrical Specifications

MODEL No.	MAX. OUTPUT POWER (W)	OUTPUT VOLTAGE (Vo)	MIN. LOAD (Io)	MAX. LOAD (Io)	LOAD REGULATION	LINE REGULATION	RIPPLE& NOISE
EM1120xA	120W	12~17V	0A	10A	± 5%	± 1%	240mV
EM1120xB	130W	18~24V	0A	7A	± 5%	± 1%	360mV
EM1120xC	110W	12~17V	0A	9.17A	± 5%	± 1%	240mV
EM1120xD	120W	18~24V	0A	6.5A	± 5%	± 1%	360mV
EM1120xE	100W	12~17V	0A	8.34A	± 5%	± 1%	240mV
EM1120xF	110W	18~24V	0A	6.11A	± 5%	± 1%	360mV

NOTE:

- 1 : Ripple & noise is measured by using 20MHz bandwidth limited oscilloscope and terminated each output with a 0.1uF ceramic capacitor & parallel with 47uF aluminum capacitor at full load and nominal line.
- 2 : Line regulation is defined by changing ±10% of input voltage from nominal line at rated load.
- 3 : Max. Output Power (W) ≥Vo x Io

Electrical Specifications

INPUT

- Input Range 100 to 240 VAC
- Frequency 50 to 60Hz
- Input Current ≤2A~1A
- Inrush Current ≤120A At cold start
- Efficiency 85% Typ.
- Hold Up Time ≥8.3mS
- Turn On Time ≤3S

OUTPUT

- Over Voltage Protection Auto Recovery
- Short Circuit Protection Auto Recovery

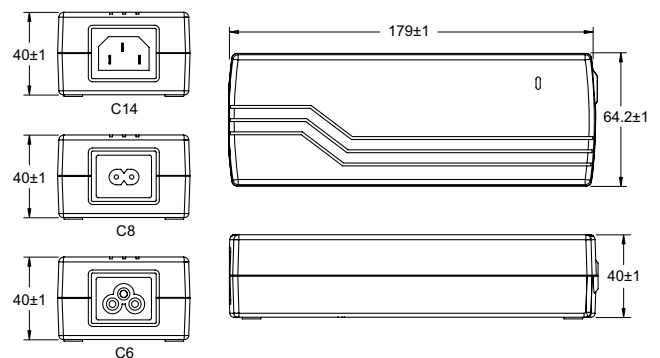
ENVIRONMENTAL

- Operating Temperature 0 to 40°C
- Storage Temperature -20 to 85°C
- Storage Humidity 5% to 95%

SAFETY

- UL/cUL, UL60601, TUV EN60601, CB 60601, CE, FCC

Mechanical Specification



- Case Size: 179L x 64.2W x 40H (mm)
- AC Inlet: C14, C8, C6
- Weight: 705g